



## 产品规格书

## Specification of Product

产品名称: 6V 1.5kg模拟舵机  
Product Name: 6V 1.5kg.cm Analog Servo

产品型号 Model No. FS90-C

## 1. 使用环境条件 Apply Environmental Condition

No.	Item	Specification
1-1	存储温度 Storage Temperature Range	-30°C~80°C
1-2	运行温度 Operating Temperature Range	-15°C~70°C

## 2. 测试环境 Standard Test Environment

No.	Item	Specification
2-1	温度 Temperature range	25°C ±5°C
2-2	湿度 Humidity range	65%±10%

## 3. 机械特性 Mechanical Specification

No.	Item	Specification
3-1	尺寸 Size	A: 23.2mm B: 12.5mm C: 22mm
3-2	重量 Weight	9g ±0.2
3-3	齿轮类型 Gear type	Plastic Gear(Nylon & POM )
3-6	机构极限角度 Limit angle	120
3-7	轴承 Bearing	NO Ball bearings
3-8	出力轴 Horn gear spline	20T(4.8mm)
3-9	摆臂 Horn type	Plastic, POM
3-10	外壳 Case	Nylon & Fiberglass
3-11	舵机线 Connector wire	200mm ±5 mm
3-12	马达 Motor	Metal brush motor
3-13	防水性能 Splash water resistance	NO

## 4. 电气特性 Electrical Specification (Function of the Performance)

No.	工作电压 Operating Voltage Range	4.8V	6V
4-1*	静态电流 Idle current(at stopped)	5mA	6mA
4-2*	空载速度 No load speed	0.12sec/60degree	0.10sec/60degree
4-3*	空载电流 Running current(at no load)	100 mA	120 mA
4-4	堵转扭矩 Peak stall torque	1.3kg.cm	1.5kg.cm
		18.09oz.in	20.86oz.in
4-5	堵转电流 Stall current	700 mA	800mA

Note: "\*"definition is average value when the servo runing with no load

产品规格书

Specification of Product

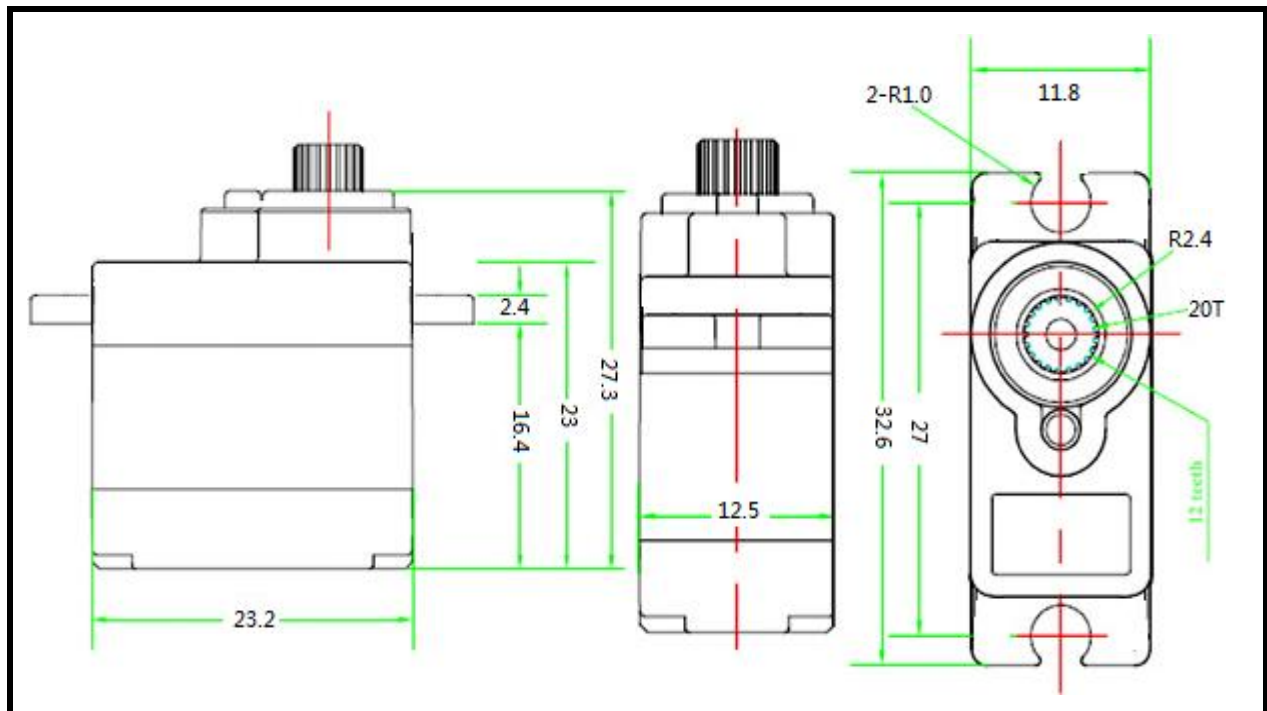
产品名称: 6V 1.5kg模拟舵机  
 Product Name: 6V 1.5kg.cm Analog Servo

产品型号 Model No. FS90-C

5. 控制特性 Control Specification:

No.	Item	Specification
5-1	控制信号 Command signal	Pulse width modification
5-2	放大器类型 Amplifier type	Analog comparator
5-3	脉冲宽度范围 Pulse width range	900~2100μsec
5-4	停止位置 Stop position	1500 (±5) μsec
5-5	旋转角度 Running degree	120° (when 900 ~ 2100 μ sec)
5-6	死区宽度 Dead band width	10 μsec
5-7	旋转方向 Rotating direction	CW(when 1500~900 μsec) CCW(when 1500~2100 μsec)

6. 外形图 The Drawings



## X-ON Electronics

Largest Supplier of Electrical and Electronic Components

*Click to view similar products for [AC, DC & Servo Motors](#) category:*

*Click to view products by [Pololu](#) manufacturer:*

Other Similar products are found below :

[805470B40040MY](#) [R88M-G10030H-S2](#) [R88MK15K015CS2](#) [R88MK1K520HS2](#) [R88MK3K030FBS2](#) [R88MK1K530HBS2](#)  
[R88MK75030TS2](#) [1032](#) [M4E068-CF01-01](#) [80510503](#) [805470A403.6MY](#) [805470B40020MY](#) [80627003](#) [82800003](#) [82830009](#)  
[R88MK2K030FS2](#) [KDE4014XF-380 \(D5\)](#) [R88A-RG08UA](#) [82810017](#) [82861019](#) [89850008](#) [R88M-K75030H](#) [R88M-G10030L-OS2](#) [R88M-](#)  
[GP20030L-OS2](#) [R88M-K90010F-S2](#) [R88M-GP40030L-OS2](#) [R88M-K1K030H-S2](#) [R88M-GP20030H-BO](#) [R88M-G10030L-BO](#) [R88M-](#)  
[GP20030S-OS2](#) [R88M-K20030H-B](#) [R88M-G40030H-BS2](#) [R88M-GP20030H-O](#) [R88M-G40030T-S2](#) [R88M-K10030L](#) [82840003](#) [82840004](#)  
[R88M-GP20030L](#) [R88M-GP20030H-BS2](#) [R88M-GP10030S](#) [R88M-GP20030L-S2](#) [R88M-G40030H](#) [R88M-GP20030L-O](#) [R88M-GP20030L-](#)  
[BS2](#) [R88M-GP20030T-OS2](#) [82869011](#) [89850007](#) [R88M-K1K020F](#) [82524021](#) [R88M-K1K520F](#)