

**产品规格书****Specification of Product**

产品名称: 6V 15公斤模拟舵机 Product Name: 6V 15kg.cm Analog Servo

产品型号 Model No. FS5115M

1. 使用环境条件 Apply Environmental Condition

No.	Item	Specification
1-1	存储温度 Storage Temperature Range	-30℃~80℃
1-2	运行温度 Operating Temperature Range	-15℃~70℃

2. 测试环境 Standard Test Environment

No.	Item	Specification
2-1	温度 Temperature range	25℃ ±5℃
2-2	湿度 Humidity range	65%±10%

3. 机械特性 Mechanical Specification

No.	Item	Specification
3-1	尺寸 Size	A: 40.8mm B: 20.1mm C: 38mm D: 49.5mm
3-2	重量 Weight	58.5g
3-3	齿轮类型 Gear type	Metal Gear
3-6	机构极限角度 Limit angle	200° ±5°
3-7	轴承 Bearing	2 Ball bearings
3-8	出力轴 Horn gear spline	25T
3-9	摆臂 Horn type	Plastic, POM
3-10	外壳 Case	Nylon & Fiberglass
3-11	舵机线 Connector wire	300mm ±5 mm
3-12	马达 Motor	Metal brush motor
3-13	防水性能 Splash water resistance	NO

4. 电气特性 Electrical Specification (Function of the Performance)

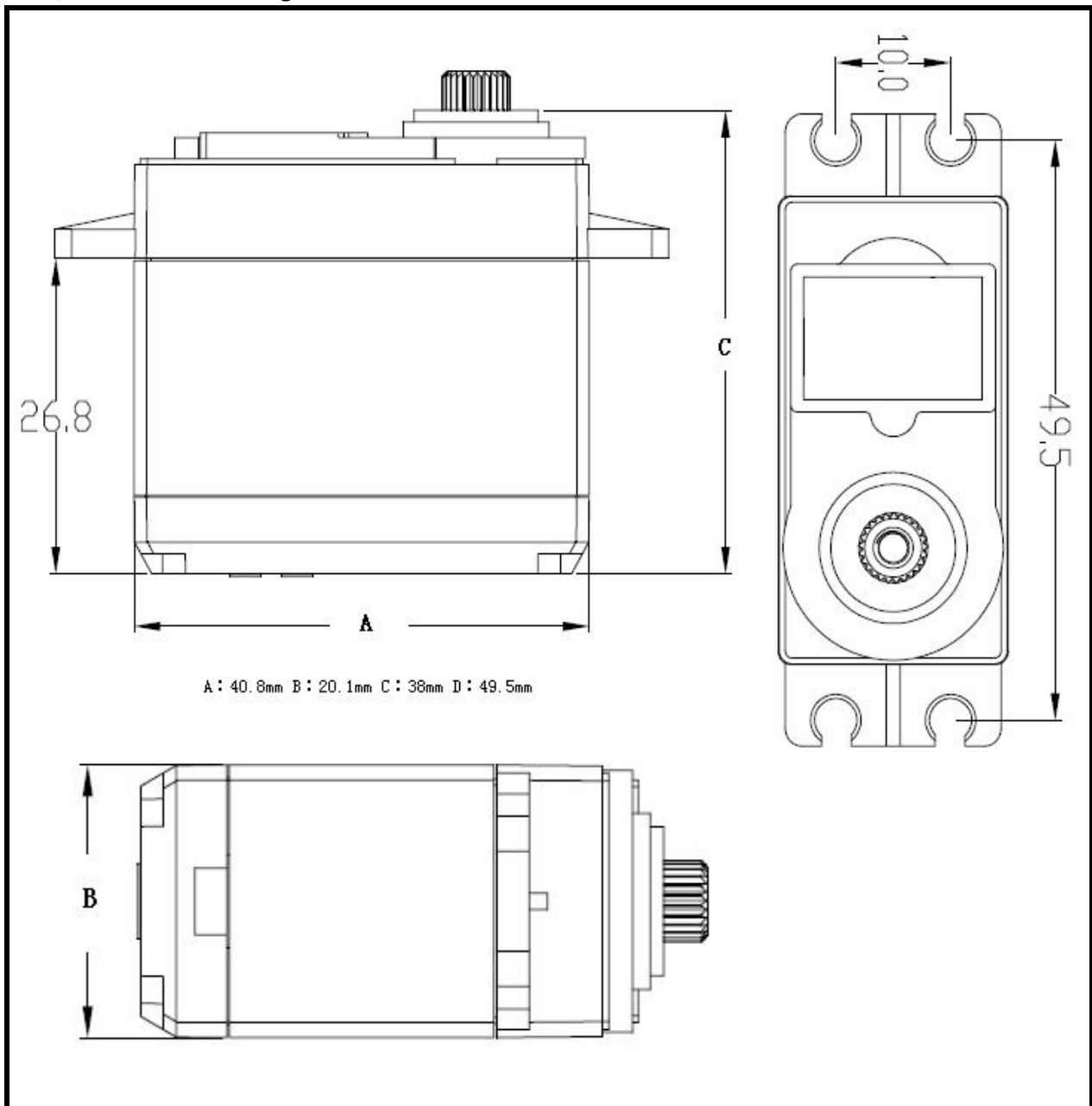
No.	工作电压 Operating Voltage Range	4.8V	6V
4-1*	静态电流 Idle current(at stopped)	5mA	7mA
4-2*	空载速度 No load speed	0.18sec/60°	0.16 sec/60°
4-3*	空载电流 Runnig current(at no load)	160 mA	190 mA
4-4	堵转扭矩 Peak stall torque	14kg. cm	15.5kg. cm
		194.8oz. in	215.6oz. in
4-5	堵转电流 Stall current	1200 mA	1500mA

Note: "*"definition is average value when the servo runing with no load

产品规格书
Specification of Product
产品名称: 6V 15公斤模拟舵机 Product Name: 6V 15kg.cm Analog Servo

产品型号 Model No. FS5115M
5. 控制特性 Control Specification:

No.	Item	Specification
5-1	控制信号 Command signal	Pulse width modification
5-2	放大器类型 Amplifier type	Analog comparator
5-3	脉冲宽度范围 Pulse width range	500~2500μsec
5-4	中立位置 Neutral position	1500 μsec
5-5	旋转角度 Running degree	180° (±5°) (when 500~2500 μsec)
5-6	死区宽度 Dead band width	5 μsec
5-7	旋转方向 Rotating direction	Counterclockwise (when 1000~2000 μsec)

6. 外形图 The Drawings


X-ON Electronics

Largest Supplier of Electrical and Electronic Components

Click to view similar products for [Servo Motors](#) category:

Click to view products by [Pololu](#) manufacturer:

Other Similar products are found below :

[FIT0045](#) [FIT0046](#) [SER0006](#) [SER0011](#) [SER0019](#) [SER0035](#) [SER0038](#) [SER0039](#)