

COMBINATION D-SUB CONTACTS

High power contacts – Solder cup or crimp – angled



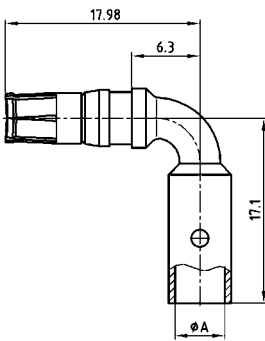
RoHS compliant – CSA listed, File No.: LR 115000-1 – UL listed, File No.: E 228329

DESCRIPTION

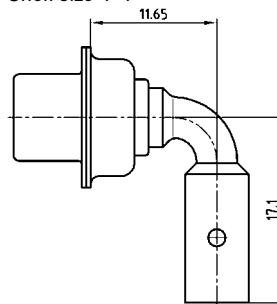
- Precision machined contacts
- Quality class 3: 50 mating cycles (gold plated)
- Quality class 1: 500 mating cycles (gold plated)
- Other quality classes on request

PRODUCT DRAWING

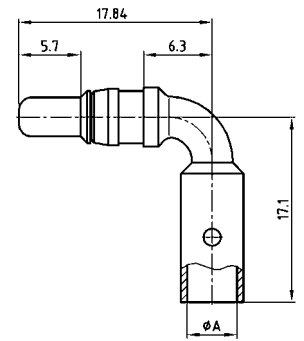
Socket contact



Installation dimension
Shell size 1-4



Plug contact

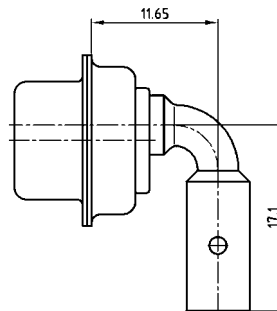


Wire stripping

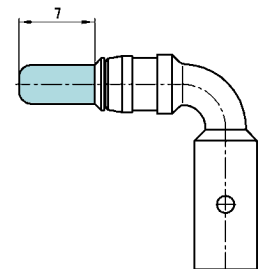


AWG	Current rating	Ø A +0.15	Crimp Plier Part.no. 360X12269X
16-20	10 A	1.70	1.40/1.25
12-14	20 A	2.60	1.85/1.65
10-12	30 A	3.70	2.30/2.05
8-10	40 A	4.60	2.30/2.05

Installation dimension
Shell size 5



Premating contact



ORDER DATA

SOCKET CONTACT				
Contact type	AWG	Ampere	Quality class	Part Number
Socket	16...20	10 A	1	132 C 16019 X
Socket	16...20	10 A	3	132 A 16019 X
Socket	12...14	20 A	1	132 C 16029 X
Socket	12...14	20 A	3	132 A 16029 X
Socket	10...12	30 A	1	132 C 16039 X
Socket	10...12	30 A	3	132 A 16039 X
Socket	8...10	40 A	1	132 C 16049 X
Socket	8...10	40 A	3	132 A 16049 X

PLUG CONTACT				
Contact type	AWG	Ampere	Quality class	Part Number
Plug	16...20	10 A	1	131 C 16019 X
Plug	16...20	10 A	3	131 A 16019 X
Plug	12...14	20 A	1	131 C 16029 X
Plug	12...14	20 A	3	131 A 16029 X
Plug	10...12	30 A	1	131 C 16039 X
Plug	10...12	30 A	3	131 A 16039 X
Plug	8...10	40 A	1	131 C 16049 X
Plug	8...10	40 A	3	131 A 16049 X

PREMATING CONTACT				
Contact type	AWG	Ampere	Quality class	Part Number
Plug premating	16...20	10 A	1	131 C 16119 X
Plug premating	12...14	20 A	1	131 C 16129 X
Plug premating	10...12	30 A	1	131 C 16139 X
Plug premating	8...10	40 A	1	131 C 16149 X

X-ON Electronics

Largest Supplier of Electrical and Electronic Components

Click to view similar products for [Terminals](#) category:

Click to view products by [CONEC](#) manufacturer:

Other Similar products are found below :

[HT-13-10](#) [71M-250-32-NB](#) [01-2065-1-0216](#) [00581P0075](#) [M10-10RX](#) [M10BCK](#) [60205-1](#) [604200-1](#) [60598-1-CUT-TAPE](#) [60617-1-C](#) [60873-1](#) [M14-516R/SK](#) [M14-6RSX](#) [M18-10FLX](#) [M18-8FBX](#) [M18-8R/LX](#) [M18BCK](#) [61314-6-C](#) [61-S](#) [61-SN-A](#) [62-NBM-A](#) [63-S](#) [640179-1](#) [640917-2-CUT-TAPE](#) [6501550002](#) [66107-2-C](#) [66107-4-C](#) [696683-1](#) [696834-1](#) [696861-1](#) [696931-1](#) [696999-1](#) [M8-516RK](#) [M86700006](#) [MA250DMFMX-A](#) [701-2007](#) [701-2307](#) [701-7761-03](#) [70F-110-32-PB](#) [718-N-A](#) [71M-187-20-NBL](#) [71M-250-32-NBL](#) [72F-187-20-NBL](#) [72M-250-32-NBL](#) [7310](#) [73F-250-32](#) [73F-250-32-NBL](#) [73F-250-32-NL](#) [F14-10C](#) [F-1M](#)