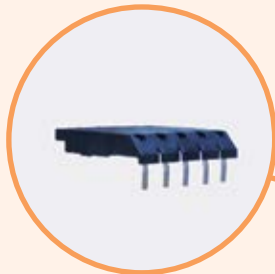


Miniature and motor contactors, auxiliary contactors and overload relays

Advantages



→ Miniature contactors CEC have possibility to be mounted on printed circuit board with special connection module.



→ Contactors CEI series (kit) with mechanical interlock - solution for Reversing the motor or implementation of schemes star delta



→ Special socket for RC noise filters (surge suppressors)



→ Mechanical interlock assures also mounting of auxiliary contacts



→ Additional time delay relays mounted on side of contactor



→ Front mounted auxiliary contact block



→ Overload protection relays (bimetal)

Miniature and auxiliary contactor CE, CAE, CEI7

Application:

Miniature contactors are used to remotely control and protect (in combination with overload relays) electric motors and other electric loads with nominal power up to 7,5kW (at 400V AC3 duty), and auxiliary contactors are used for realizing a wide range of control circuits.

Advantages:

- Mounting on DIN rail and mounting plates
- Small size and high technical performance
- Low power loss (current heat loss)
- Protection against direct contact from front (IEC 536) IP20
- Wide range of accessories
- Surge suppressor (as option)
- Reversing starter with mechanical interlock
- Control voltage 24VAC, 48VAC, 110VAC, 230VAC, 400VAC



Miniature contactor CE07, 16 A (AC1), 7A, 3 kW (AC3)

Type	Code No.	Wiring diagram	Weight [g]	Packaging [pcs]
CE07.10-24V-50/60Hz	004641020		130	1
CE07.10-48V-50/60Hz	004641021			
CE07.10-110V-50/60Hz	004641022			
CE07.10-230V-50/60Hz	004641023			
CE07.10-400V-50/60Hz	004641024			
CE07.01-24V-50/60Hz	004641010		130	1
CE07.01-48V-50/60Hz	004641011			
CE07.01-110V-50/60Hz	004641012			
CE07.01-230V-50/60Hz	004641013			
CE07.01-400V-50/60Hz	004641014			



Miniature contactor relay CAE0; 6A (AC15, 230V)

Type	Code No.	Wiring diagram	Weight [g]	Packaging [pcs]
CAE04.22-230V-50/60Hz	004641343		180	1
CAE04.22-24V-50/60Hz	004641340			
CAE04.31-230V-50/60Hz	004641363			
CAE04.31-24V-50/60Hz	004641360			
CAE04.13-230V-50/60Hz	004641353			
CAE04.13-24V-50/60Hz	004641350			
CAE04.40-230V-50/60Hz	004641383			
CAE04.40-24V-50/60Hz	004641380			

Miniature contactor-reversing starter with mechanical interlock CEI07.10, 16A (AC1), 3,5A, 1,5 kW (AC3)

Type	Code No.	Wiring diagram	Weight [g]	Packaging [pcs]
CEI7.10-24V-50/60Hz	004641620		250	1
CEI7.10-48V-50/60Hz	004641621			
CEI7.10-110V-50/60Hz	004641622			
CEI7.10-230V-50/60Hz	004641623			
CEI7.10-400V-50/60Hz	004641624			

Miniature contactor-reversing starter with mechanical interlock CEI07.01, 16A (AC1), 3,5A, 1,5 kW (AC3)

Type	Code No.	Wiring diagram	Weight [g]	Packaging [pcs]
CEI7.01-24V-50/60Hz	004641610		250	1
CEI7.01-48V-50/60Hz	004641611			
CEI7.01-110V-50/60Hz	004641612			
CEI7.01-230V-50/60Hz	004641613			
CEI7.01-400V-50/60Hz	004641614			


Surge suppressor

Type	Code No.	Coil voltage	For use with	Weight [g]	Packaging [pcs]
RCE01	004641701	24-48 VAC	CE07, CEI07	14	1
RCE06	004641702	110-220 VAC	CE07, CEI07	14	1
RCE10	004641703	380-400 VAC	CE07, CEI07	14	1

Miniature and auxiliary contactor CEC

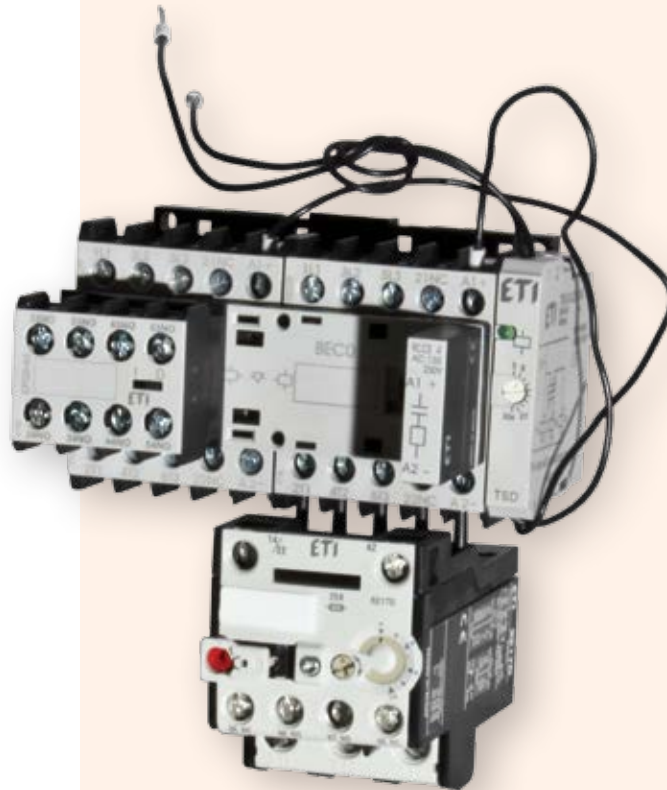
Application:

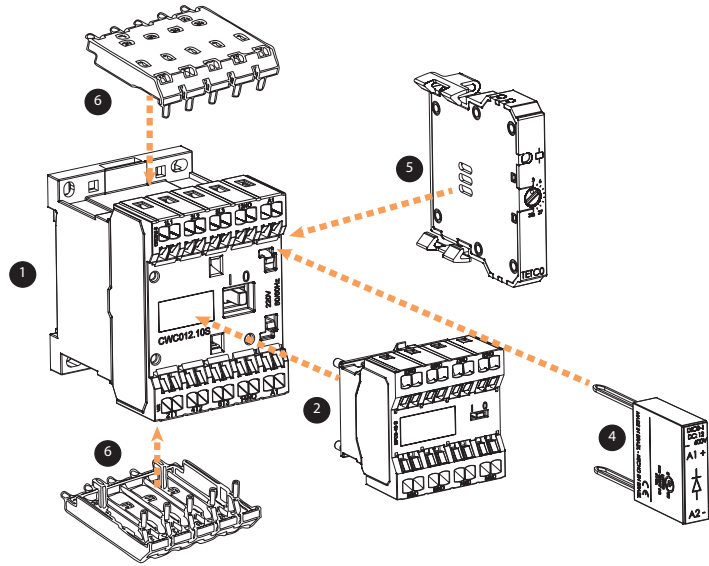
Miniature contactors are used to remotely control and protect (in combination with overload relays) electric motors and other electric loads with nominal power up to 7,5kW (at 400V AC3 duty), and auxiliary contactors are used for realizing a wide range of control circuits.

Advantages:

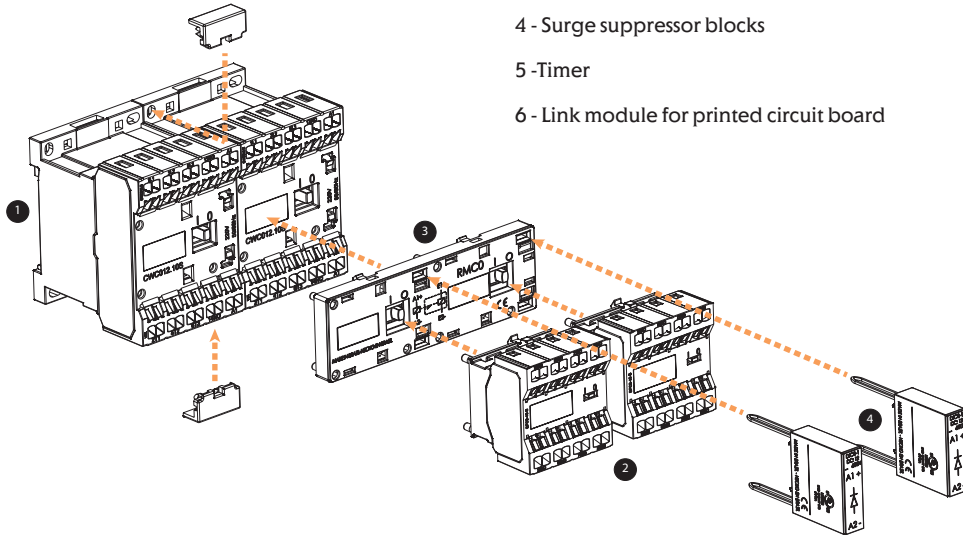
- Mounting on DIN rail and mounting plates
- Small size and high technical performance
- Low power loss (current heat loss)
- Protection against direct contact from front (IEC 536) IP20
- Wide range of accessories
- Surge suppressor (as option)
- Reversing starter with mechanical interlock
- Control voltage 24VAC, 48VAC, 110VAC, 230VAC, 400VAC, 24 VDC, 48 VDC, 110 VDC, 220 VDC

Example of CEC configuration:





- 1 - Mini contactor
- 2 - Auxiliary frontal contacts block
- 3 - Mechanical interlock block
- 4 - Surge suppressor blocks
- 5 - Timer
- 6 - Link module for printed circuit board





Miniature contactors CEC07; 18A(AC1); 7A,3kW(AC3 400V)

Type	Code No.	Wiring diagram	Weight [g]	Packaging [pcs]
CEC07.10-24V-50/60Hz	004641050		180	1
CEC07.10-42V-50/60Hz	004641051			
CEC07.10-48V-50/60Hz	004641052			
CEC07.10-110V-50/60Hz	004641053			
CEC07.10-230V-50/60Hz	004641054			
CEC07.10-400V-50/60Hz	004641055			
CEC07.10-24VDC	004641100			
CEC07.10-48VDC	004641130			
CEC07.10-110VDC	004641131			
CEC07.10-220VDC	004641132			
CEC07.01-24V-50/60Hz	004641056		180	1
CEC07.01-42V-50/60Hz	004641057			
CEC07.01-48V-50/60Hz	004641058			
CEC07.01-110V-50/60Hz	004641059			
CEC07.01-230V-50/60Hz	004641060			
CEC07.01-400V-50/60Hz	004641061			
CEC07.01-24VDC	004641101			
CEC07.01-48VDC	004641133			
CEC07.01-110VDC	004641134			
CEC07.01-220VDC	004641135			



Miniature contactors CEC09; 20A(AC1); 9A,4kW(AC3, 400V)

Type	Code No.	Wiring diagram	Weight [g]	Packaging [pcs]
CEC09.10-24V-50/60Hz	004641062		180	1
CEC09.10-42V-50/60Hz	004641063			
CEC09.10-48V-50/60Hz	004641064			
CEC09.10-110V-50/60Hz	004641065			
CEC09.10-230V-50/60Hz	004641066			
CEC09.10-400V-50/60Hz	004641067			
CEC09.10-24VDC	004641102			
CEC09.10-48VDC	004641136			
CEC09.10-110VDC	004641137			
CEC09.10-220VDC	004641138			
CEC09.01-24V-50/60Hz	004641068		180	1
CEC09.01-42V-50/60Hz	004641069			
CEC09.01-48V-50/60Hz	004641070			
CEC09.01-110V-50/60Hz	004641071			
CEC09.01-230V-50/60Hz	004641072			
CEC09.01-400V-50/60Hz	004641073			
CEC09.01-24VDC	004641103			
CEC09.01-48VDC	004641139			
CEC09.01-110VDC	004641140			
CEC09.01-220VDC	004641141			

Miniature contactors CEC012; 22A(AC1); 12A,5,5kW(AC3 400V)

Type	Code No.	Wiring diagram	Weight [g]	Packaging [pcs]			
CEC012.10-24V-50/60Hz	004641074		180	1			
CEC012.10-42V-50/60Hz	004641075						
CEC012.10-48V-50/60Hz	004641076						
CEC012.10-110V-50/60Hz	004641077						
CEC012.10-230V-50/60Hz	004641078						
CEC012.10-400V-50/60Hz	004641079						
CEC012.10-24VDC	004641104					218	1
CEC012.10-48VDC	004641142						
CEC012.10-110VDC	004641143						
CEC012.10-220VDC	004641144						
CEC012.01-24V-50/60Hz	004641080						
CEC012.01-42V-50/60Hz	004641081						
CEC012.01-48V-50/60Hz	004641082						
CEC012.01-110V-50/60Hz	004641083		180	1			
CEC012.01-230V-50/60Hz	004641084						
CEC012.01-400V-50/60Hz	004641085						
CEC012.01-24VDC	004641105					218	1
CEC012.01-48VDC	004641145						
CEC012.01-110VDC	004641146						
CEC012.01-220VDC	004641147						


Miniature contactors CEC016; 22A(AC1); 16A,7,5kW(AC3 400V)

Type	Code No.	Wiring diagram	Weight [g]	Packaging [pcs]			
CEC016.10-24V-50/60Hz	004641086		180	1			
CEC016.10-42V-50/60Hz	004641087						
CEC016.10-48V-50/60Hz	004641088						
CEC016.10-110V-50/60Hz	004641089						
CEC016.10-230V-50/60Hz	004641090						
CEC016.10-400V-50/60Hz	004641091						
CEC016.10-24VDC	004641106					218	1
CEC016.10-48VDC	004641148						
CEC016.10-110VDC	004641149						
CEC016.10-220VDC	004641150						
CEC016.01-24V-50/60Hz	004641092						
CEC016.01-42V-50/60Hz	004641093						
CEC016.01-48V-50/60Hz	004641094						
CEC016.01-110V-50/60Hz	004641095		180	1			
CEC016.01-230V-50/60Hz	004641096						
CEC016.01-400V-50/60Hz	004641097						
CEC016.01-24VDC	004641107					218	1
CEC016.01-48VDC	004641151						
CEC016.01-110VDC	004641152						
CEC016.01-220VDC	004641153						





Miniature contactor relay CECA0; 10A (AC15, 230V)

Type	Code No.	Wiring diagram	Weight [g]	Packaging [pcs]		
CECA0.22-24V-50/60Hz	004641160		180	1		
CECA0.22-230V-50/60Hz	004642390					
CECA0.31-24V-50/60Hz	004641161					
CECA0.31-230V-50/60Hz	004642391					
CECA0.13-24V-50/60Hz	004641162					
CECA0.13-230V-50/60Hz	004642392					
CECA0.40-24V-50/60Hz	004641163					
CECA0.40-230V-50/60Hz	004642393					
CECA0.04-24V-50/60Hz	004641164				218	1
CECA0.04-230V-50/60Hz	004642394					
CECA0.22-24VDC	004646010					
CECA0.22-220VDC	004641170					
CECA0.31-24VDC	004646011					
CECA0.31-220VDC	004641171					
CECA0.13-24VDC	004646012					
CECA0.13-220VDC	004641172					
CECA0.40-24VDC	004646013					
CECA0.40-220VDC	004641173					
CECA0.04-24VDC	004646014					
CECA0.04-220VDC	004641174					



4-pole miniature contactors

Type	Code No.	Wiring diagram	Weight [g]	Packaging [pcs]
CEC07.4P-230V-50/60Hz	004641200		180	1
CEC09.4P-230V-50/60Hz	004641201			
CEC012.4P-230V-50/60Hz	004641202			
CEC016.4P-230V-50/60Hz	004641203			
CEC07.4P-24VDC	004641210			
CEC09.4P-24VDC	004641211			
CEC012.4P-24VDC	004641212		180	1
CEC016.4P-24VDC	004641213			
CEC07.PR-230V-50/60Hz	004641204			
CEC09.PR-230V-50/60Hz	004641205			
CEC012.PR-230V-50/60Hz	004641206			
CEC016.PR-230V-50/60Hz	004641207			
CEC07.PR-24V-DC	004641214			
CEC09.PR-24V-DC	004641215			
CEC012.PR-24V-DC	004641216			
CEC016.PR-24V-DC	004641217			

Surge suppressor

Type	Code No.	voltage	Wiring diagram	Weight [g]	Packaging [pcs]
RCCE-1	004641720	12-24V 50/60Hz		6	1
RCCE-2	004641721	24-48V 50/60Hz			
RCCE-3	004641722	48-127V 50/60Hz			
RCCE-4	004641723	127-250V 50/60Hz			
RCCE-5	004641724	250-380V 50/60Hz			
RCCE-6	004641725	380-510V 50/60Hz			
VRCE-1	004641726	12-48V AC/12-60V DC		6	1
VRCE-2	004641727	50-127V AC/60-180V DC			
VRCE-3	004641728	130-275V AC/180-300V DC			
VRCE-4	004641729	277-380V AC/300-510V DC			
VRCE-5	004641730	400-510V AC			
DICE-1	004641731	12-600V DC		6	1


Mechanical interlock

Type	Code No.	Weight [g]	Packaging [pcs]
BECO	004643603	15	1

For use with CEC


Printed circuit board adapter

Type	Code No.	Weight [g]	Packaging [pcs]
CECO	004642720	126	1

For use with CEC


Overload relay RE17D

Type	Code No.	Current setting range [A]	For use with	Weight [g]	Packaging [pcs]
RE17D-0,4	004641400	0,28-0,4	CEC07 – CEC016	150	1
RE17D-0,63	004641401	0,4-0,63			
RE17D-0,8	004641402	0,56-0,8			
RE17D-1,2	004641403	0,8-1,2			
RE17D-1,8	004641404	1,2-1,8			
RE17D-2,8	004641405	1,8-2,8			
RE17D-4,0	004641406	2,8-4,0			
RE17D-6,3	004641407	4-6,3			
RE17D-8,0	004641408	5,6-8			
RE17D-10	004641409	7-10			
RE17D-12,5	004641410	8-12,5			
RE17D-15	004641411	10-15			
RE17D-17	004641412	15-17			





EFC0



EFCA



EFC4



Example of using EFCO and RCCE

Auxiliary contact blocks								
Type	Code No.	Wiring diagram	For use with	Weight [g]	Packaging [pcs]			
EFC0-20	004641520		CECO 3 pole	28	1			
EFC0-11	004641521							
EFC0-02	004641522							
EFC0-40	004641523							
EFC0-22	004641524							
EFC0-04	004641525							
EFC0-31	004641526							
EFC0-13	004641527							
EFCA-20	004641530					CECA0	28	1
EFCA-11	004641531							
EFCA-02	004641532							
EFCA-40	004641533							
EFCA-22	004641534							
EFCA-04	004641535							
EFCA-31	004641536							
EFCA-13	004641537							
EFC4-20	004641540		CECO 4 pole	28	1			
EFC4-11	004641541							
EFC4-02	004641542							
EFC4-40	004641543							
EFC4-22	004641544							
EFC4-04	004641545							
EFC4-31	004641546							
EFC4-13	004641547							

Electronic timing relays

Type	Code No.	Time	Supply Voltage	Weight [g]	Packaging [pcs]
ON delay					
TOE-3-24-240	004642730	0,3-3 sec	24-240V AC/DC	126	1
TOE-10-24-240	004642731	1-10 sec			
TOE-30-24-240	004642732	3-30 sec			
TOE-60-24-240	004642733	6-60 sec			
TOE-100-24-240	004642734	10-100 sec			
TOE-300-24-240	004642735	30-300 sec			
TOE-1800-24-240	004642736	180-1800 sec			
OFF delay					
TOD-3-24-60	004642740	0,3-3 sec	24-60V AC/DC	126	1
TOD-10-24-60	004642741	1-10 sec			
TOD-30-24-60	004642742	3-30 sec			
TOD-60-24-60	004642743	6-60 sec			
TOD-100-24-60	004642744	10-100 sec			
TOD-300-24-60	004642745	30-300 sec			
TOD-1800-24-60	004642746	180-1800 sec			
TOD-3-100-240	004642747	0,3-3 sec	110-240V AC/DC	126	1
TOD-10-100-240	004642748	1-10 sec			
TOD-30-100-240	004642749	3-30 sec			
TOD-60-100-240	004642750	6-60 sec			
TOD-100-100-240	004642751	10-100 sec			
TOD-300-100-240	004642752	30-300 sec			
TOD-1800-100-240	004642753	180-1800 sec			
Star-delta					
TSD-30-24-28	004642760	3-30 sec	24-48V AC	126	1
TSD-30-110-130	004642761		110-130V AC		
TSD-30-220-240	004642762		220 - 240V AC		



X-ON Electronics

Largest Supplier of Electrical and Electronic Components

Click to view similar products for [Relay Sockets & Fixings](#) category:

Click to view products by [ETI Polam](#) manufacturer:

Other Similar products are found below :

[M41G](#) [7-1616360-5](#) [8000-DG2-5](#) [GDA12HA](#) [GDA12HD](#) [GDA12SA](#) [GDA12SD](#) [GDA16HD](#) [GDA22HA](#) [GDA95A](#) [GDA95D](#) [GFX20](#)
[GUA1](#) [GUA2-11](#) [GUA4-04](#) [GUA4-31](#) [GUM5R](#) [GUR-120](#) [GUR-24](#) [GUR-240](#) [GUR-277](#) [GURX-277](#) [GUW12](#) [GUW95](#) [GUZ32S](#) [GUZ63L](#)
[GUZ95L](#) [AS-11](#) [AX-4MS-40](#) [1611434-8](#) [2-1608090-3](#) [PB-16](#) [SM2S-61](#) [SQ9Z-C](#) [SYSWINSMP](#) [AR-12MW](#) [GDA16HA](#) [GDA16SA](#)
[GDA16SD](#) [GDA22HD](#) [GDA22SA](#) [GDA22SD](#) [GDA32HA](#) [GDA32HD](#) [GDA32SA](#) [GDA32SD](#) [GDA63A](#) [GDA63D](#) [GFX02](#) [GFX11](#)