

Technical Document

CI-tronic™ Analogue Power Controller

ACI 30-1 and ACI 50-1



Features

- Phase angle or burst firing control mode
- Current loop control, 4 – 20 mA, 20 – 4 mA, 0 – 20 mA and 20 – 0 mA
- Voltage control, 0 – 10 V d.c. and 10 – 0 V d.c.
- Potentiometer control, 0 – 10 kΩ and 10 – 0 kΩ
- Rated operational voltage, 230 and 480 V
- Control voltage, 19 – 28 V a.c./d.c.
- DIN-rail mountable
- Built-in varistor protection
- LED status identification
- IP 20 protection
- Compact modular design
- Easy and quick installation
- Specification acc. to industrial standard
- CE, EAC, cULus and LLC CDC TYSK

Description

The versatile ACI analogue power controller is designed for very precise temperature and transformer control. Due to the built-in microprocessor the controller can operate in phase angle as well as in burst firing control mode.

The controller automatically adapts to the load to ensure a smooth inrush, and in burst firing mode it will further eliminate the

unwanted effects of DC magnetizing on transformers. The ACI unit is easily connected to a PLC/regulator by means of one of the selectable input signals.

The analogue controller ACI is typically used as controller for heaters and infrared lamps but also ideal on transformer controlled processes.

Selection guide

Operational voltage V a.c.	Operational current A	Supply voltage V a.c. / d.c.	Dimensions mm	Type	Code no.
208 – 240	30	19 – 28	45	ACI 30-1	037N0057
380 – 480	30		45	ACI 30-1	037N0059
208 – 240	50		90	ACI 50-1	037N0058
380 – 480	50		90	ACI 50-1	037N0060

Contents	Page
Features	3
Description.....	3
Selection	3
Technical data	4
Operating at high temperature	4
Control selection.....	5
Function mode selection	5
Wiring.....	5
Applications (heater load)	6
Application (transformer load)	6
Overhead protection.....	7
EMC specification.....	7
Dimensions	8
Mounting instruction	8

Technical data
Output specifications

Operational current max. AC-51 (heater load)	30 A 50 A
Operational current max. AC-56a (transformer load)	30 A 30 A
Operational voltage 50/60 Hz	230 V / 480 V
Leakage current max.	1 mA
Operational current min.	10 mA

Control method

Phase angle control	Selectable linear power or linear voltage
Burst firing control	Selectable cycle time : 0.4 – 60 seconds

Semiconductor protection fusing

Type 1 co-ordination	50 A gL/gG
Type 2 co-ordination I2t(t=10 ms)	1800 A2s

Control circuit specifications

Control supply voltage	19 – 28 V a.c./d.c.
------------------------	---------------------

Control signals

Current loop control (voltage drop < 3 V)	4 – 20 mA, 20 – 4 mA, 0 – 20 mA and 20 – 0 mA
Voltage control (input resistance > 300 kW)	0-10 V d.c. and 10-0 V d.c.
Potentiometer control	0-10 kΩ and 10-0kΩ

Isolation

Control input	Floating control input
Voltage line to control	2.5 kV a.c.
Voltage supply to control	500 V a.c.
Protection	Supply and control inputs are protected against overload and over voltage
EMC immunity	Meets requirements of EN 50082-1 and EN 50082-2

Insulation

Rated insulation voltage, Ui	660 V
Rated impulse withstand voltage, Uimp	4 kV
Installation category	III

Thermal specification

Power dissipation, continuous duty	1.2 W/A
Power dissipation, intermittent duty	1.2 W/A x duty cycle
Ambient temperature range	-5 – +40°C
Cooling method	Natural convection
Mounting	Vertical (see general mounting instructions)
Max. ambient temperature with limited current	60°C, see derating for high temperatures in chart below
Storage temperature range	-20 – +80°C
Protection degree/ pollution degree	IP20/ 3

Material

Housing	Self extinguishing PPO UL 94V1
Heatsink	Aluminium black anodised
Base	Electroplated steel

Operating at high temperature

Ambient temperature	ACI 30	ACI 50
40 °C	30A	50A
50 °C	25 A	40 A
60 °C	20 A	30 A

Control mode selection

Selection of control signal

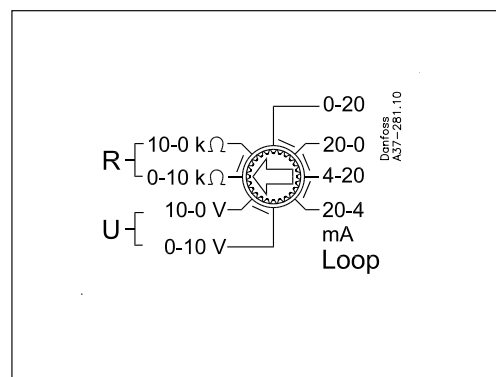
The type of control signal, current, voltage or potentiometer can be selected on the rotary switch.

Protection

The control input is protected against overload. If the current exceeds 25 mA, the loop will switch OFF and the LEDs will indicate failure. The input will not be damaged if the 24 V supply by mistake is connected to the signal input. Control input terminals are marked with + and -. Correct polarity must be observed. The control input is floating.

Insulation voltage

Line voltage to control: 2500 V a.c.
Supply to control: 500 V a.c.



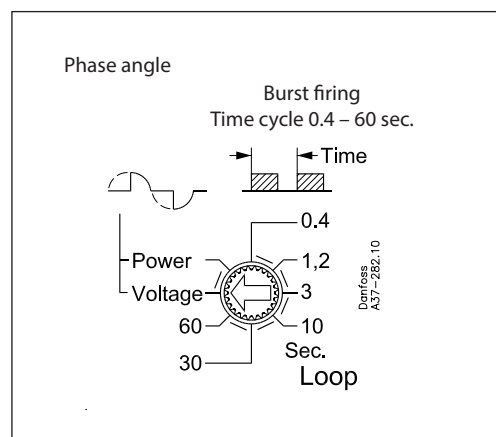
Function mode selection

Phase angle

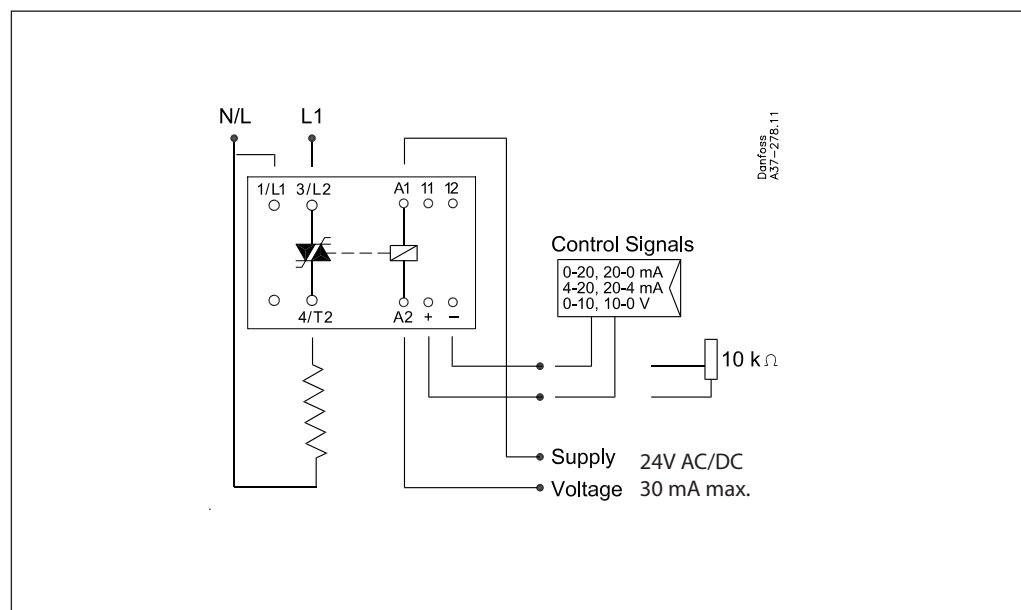
Phase angle control is used for control of infrared lamps or heaters in IR heating applications. Two different operation modes can be selected
Linear voltage: The load voltage varies linearly with the control signal.
Linear power: The power delivered to the load varies linearly with the control signal.

Burst firing

In burst firing mode full sine waves are supplied to the load. Consequently DC magnetizing of the supply transformer is avoided. The number of sine waves varies linearly with the control signal. Adjustable cycle times from 400 ms to 60 sec.

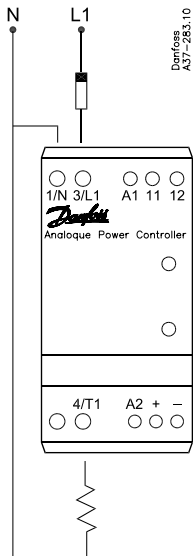


Wiring



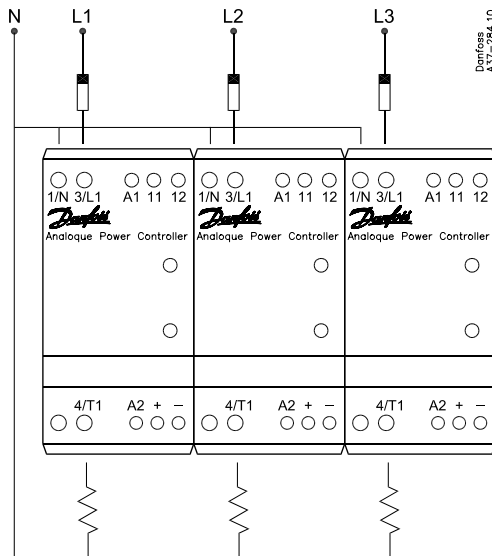
**Applications
(heater load)**

Single-phase 230 V a.c. (400 V a.c.)
Phase angle and burst firing mode



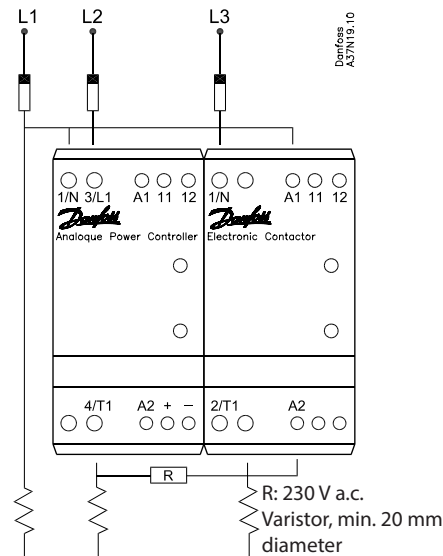
Max. load at: 230 V	400V
ACI 30-1	6.9 kW 12 kW
ACI 50-1	11.5 kW 20 kW

Three-phase with neutral
Phase angle and burst firing mode



Max. load at: 230 V	
3 x ACI 30-1	20.7 kW
3 x ACI 50-1	34.5 kW

Three phase with single-phase
contactor ECI-1 as slave
Only burst firing mode



Max. load at:	400 V
ACI 30-1	20.7 kW
ACI 50-1	34.5 kW

**Application
(transformer loads)**

Transformer loads

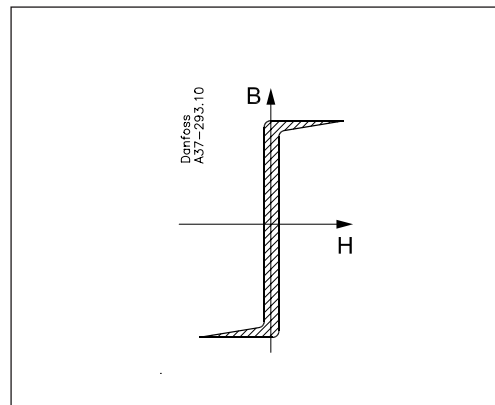
ACI load driving capability includes transformer applications which means that low voltage loads can be controlled via an isolation transformer without any surge or DC magnetising of the transformer.

Switching transformers

The problem in transformer switching is the magnetic circuit. When the transformer is switched off, (H = 0) the field (B) remains on a high level due to the high remanence of modern transformer core material. At initial turn-on where the remanence is unknown the ACI will soft start to avoid the high current surge and at repetitive turn-on the switch-off polarity is "remembered" so next turn-on will be in the opposite polarity, thereby eliminating the high current surge normally seen in transformer applications. DC magnetising is eliminated by operating in full cycle mode only.

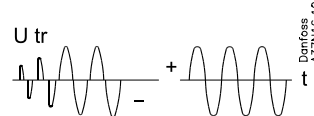
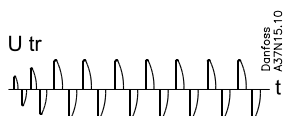
Phase angle mode

An initial turn on ACI will soft start the transformer to the voltage level set by the analogue input.

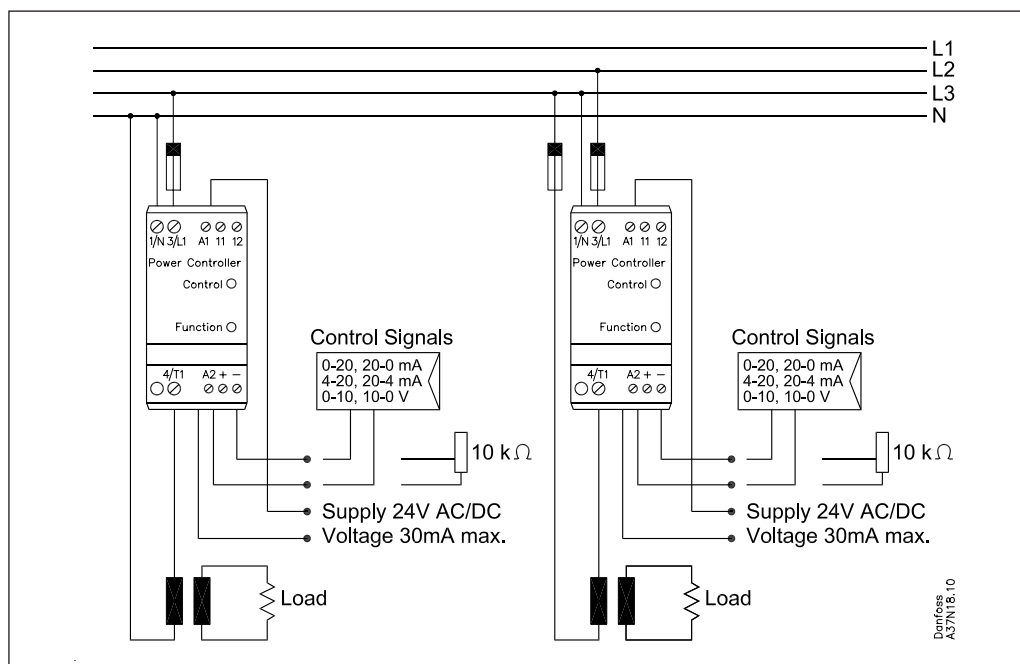


Burst firing mode

An initial turn on ACI will soft start the transformer to full on mode. The controller will only allow full cycles to be supplied to the transformer hereby eliminating current surges and DC saturation of the transformer



Applications
(transformer loads)

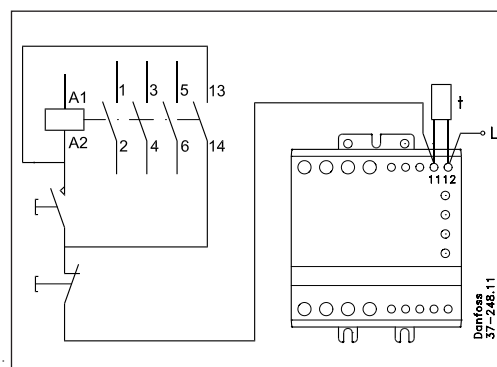


Overhead protection

If required the power controller can be protected against overheating by inserting a thermostat in the slot on the right-hand side of the controller.

Order: UP 62 thermostat 037N0050

The thermostat is connected in series with the control circuit of the main contactor. When the temperature of the heat sink exceeds 100°C the main contactor will be switched OFF. A manual reset is necessary to restart this circuit.

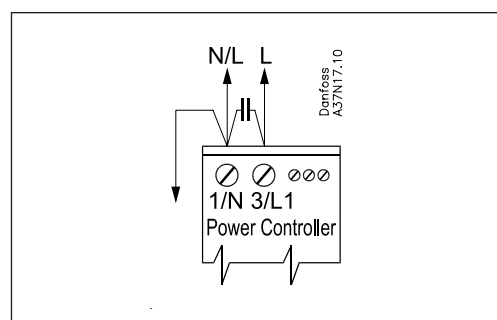


EMC specification

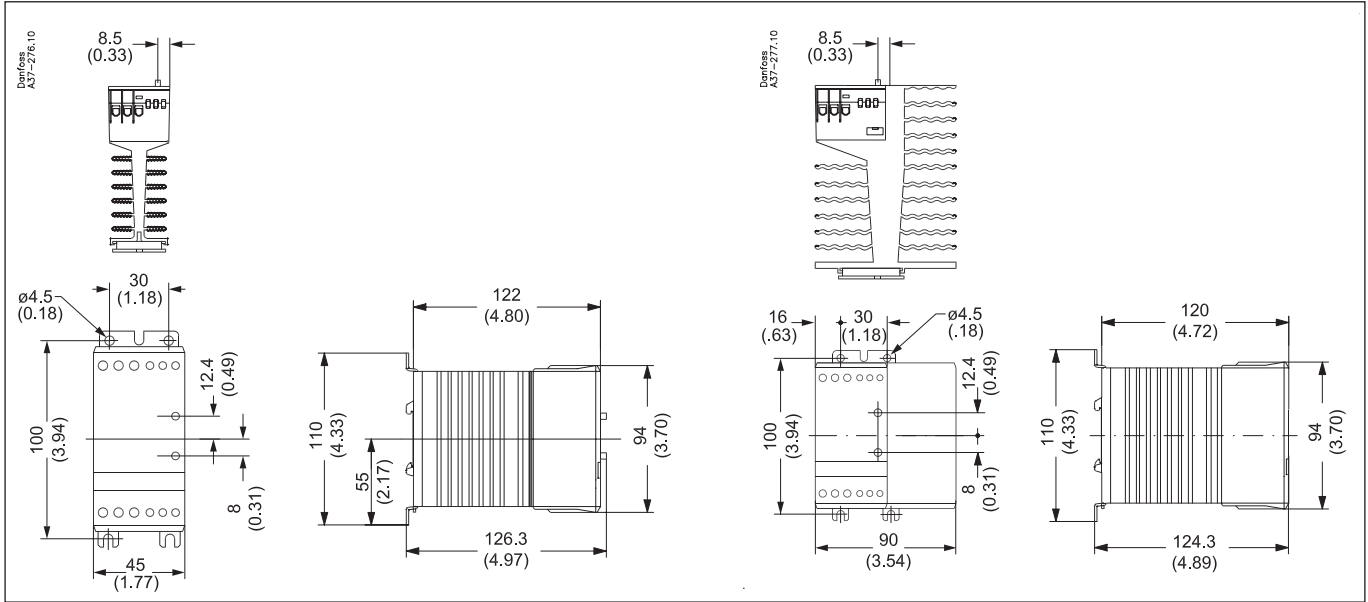
The power controller ACI is in conformity with the standard IEC/EN 60947-4-3 AC Semiconductor Controllers and Contactors for non motor loads.

Burst firing control mode:
No action necessary

Phase angle control mode:
I < 10 A, no action necessary
I > 10 A, connect 1uF capacitor from N/L to L1 as shown above.



**Dimensions
mm (inch)**



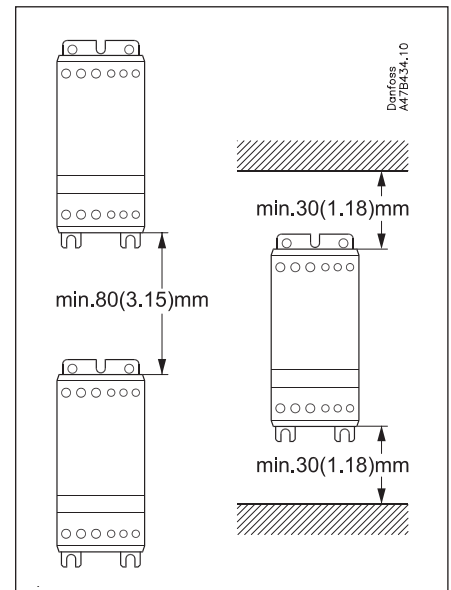
Mounting instruction

The controller is designed for vertical mounting. If the controller is mounted horizontally, the load current must be reduced by 50%.

The controller needs no side clearance.

Clearance between two vertical mounted controls must be minimum 80 mm (3.15").

Clearance between controller and top and bottom walls must be minimum 30 mm (1.2").



X-ON Electronics

Largest Supplier of Electrical and Electronic Components

Click to view similar products for [Solid State Relays - Industrial Mount](#) category:

Click to view products by [Danfoss](#) manufacturer:

Other Similar products are found below :

[6225XXASRS-DC3](#) [D2440-C](#) [H10CA4890](#) [D4875C](#) [D53TP50DH-10](#) [1395831-1](#) [1616010-6](#) [BR312BY](#) [A-1326](#) [AQY210SXE01](#)
[AQY221N2SYD01](#) [AQY414SXE01](#) [26532764](#) [H10CA4850](#) [H12CA4890VL](#) [RA2410-D06](#) [D1202F](#) [D53TP50-10](#) [W230E-1-12](#) [W230T-3-](#)
[12](#) [W6125ASX-1](#) [W6225DSX-2](#) [W6240DSX-4](#) [W6240DTX-2](#) [1-1617030-3](#) [1-1617033-9](#) [1-1617033-7](#) [MS2-D2420](#) [MS2-D2430](#) [A-1440](#)
[4-1617080-0](#) [RJ1P60V50E](#) [RN1F48I50](#) [70.362.1028.0](#) [7-1393030-8](#) [Z5.509.0828.0](#) [W230E-2-5](#) [G3RV-SR700-D](#) [AC110](#) [G3RV-SR500-AL](#)
[AC100](#) [G3RV-SR500-D](#) [ACDC24](#) [G3RV-SR500-AL](#) [ACDC24](#) [G3RV-SR700-D](#) [ACDC24](#) [G3RV-SR700-AL](#) [ACDC24](#) [G3RV-SR500-D](#)
[DC12](#) [G3RV-SR700-A](#) [ACDC24](#) [G3RV-SR500-A](#) [ACDC24](#) [2912138](#) [2912141](#) [SSRDAC10](#) [1613353](#)