

Data sheet

# Circuit Breakers

## Type CTI 25M, CTI 45MB



Circuit breakers for short circuit and overload protection of motor applications cover the current range 0.1 – 45 A (AC-3 rating). The product range is split in two product sizes. The smallest size is CTI 25M. It consists of 14 code numbers and covers the current range 0.1– 32 A. The bigger size is called CTI 45MB. It consists of two code numbers and covers the current range from 23 – 45 A.

The program is very flexible and includes add-on accessories such as auxiliary contacts, alarm contacts, voltage and under voltage trips, connection terminals and bus bars.

### Features

- Overload protection and short circuit protection of motor installations
- Test function for thermal trip
- Manual reset function
- Indication for thermal trip
- Indication for magnetic trip (short circuiting)
- Single phase protection (Differential trip)
- Temperature compensated (-20 – 60 °C)
- Tripping class 10

**Approvals**

Approval institute				UK Lloyds Register of Shipping	Germany  Germanischer Lloyd	France  Bureau Veritas
Product type	EN 60947	Canada	USA			
CTI 25M	●	●	●	□	□	□
CTI 45MB	●	●	●	□	□	□
CBA-	●	●	●	□	□	□
CBA S-	●	●	●	□	□	□
CBT-	●	●	●	□	□	□
CBT S-	●	●	●	□	□	□
VTU-	●	●	●	□	□	□
BDH	●	●	●	□	□	□
RDH	●	●	●	□	□	□
BBT-	●	●	●	□	□	□
BBC-	●	●	●	□	□	□

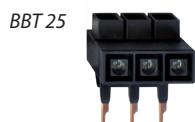
- Approved
- Approvals applied for

**Ordering**
*Circuit Breakers / Manual Motor Starters CTI 25M, CTI 45MB*

Type	AC-3 Load 380 - 415 V [kW]	Range Motor Starter [A]	Electromagnetic Trip current [A]	Code no.
CTI 25M	0.02	0.1 – 0.16	2.1	047B3140
	0.06	0.16 – 0.25	3.3	047B3141
	0.09	0.25 – 0.40	5.2	047B3142
	0.18	0.4 – 0.63	8.2	047B3143
	0.25	0.63 – 1.0	13	047B3144
	0.55	1.0 – 1.6	21	047B3145
	0.75	1.6 – 2.5	33	047B3146
	1.5	2.5 – 4.0	52	047B3147
	2.2	4.0 – 6.3	82	047B3148
	4.0	6.3 – 10	130	047B3149
	7.5	10 – 16	208	047B3150
	10	14.5 – 20	260	047B3151
	11	18 – 25	325	047B3152
CTI 45MB	13	24 – 29	406	047B3103
	15	27 – 32	448	047B3102
	15	23 – 32	416	047B3164
	22	32 – 45	585	047B3165

**Note!**

For motors with full load currents higher or equal with 19 A, CTI 25M 047B3152 (18 - 25 A) must be selected

**Ordering**

*Auxiliary contacts and Alarm contacts to circuit breakers CTI 25M, CTI 45MB*

Type	Description	Feature	Mounting	Code no.
CBA-10	Auxiliary contact	1 NC (11-12)	Front <sup>1)</sup>	047B3198
CBA-11	Auxiliary contact	1 NO+1 NC (13-14, 21-22)	Front <sup>1)</sup>	047B3200
CBA-20	Auxiliary contact	2 NO (13-14, 23-24)	Front <sup>1)</sup>	047B3201
CBA S-11	Auxiliary contact	1 NO+1 NC (33-34, 41-42)	Side <sup>1)</sup> <sup>3)</sup>	047B3203
CBT S-TM2	Trip alarm + Magnetic alarm contact	Trip alarm: Make, 55-56, Magnetic alarm: Break, 65-66	Side <sup>2)</sup> <sup>4)</sup>	047B3211

<sup>1)</sup> Max. one per Circuit breaker

<sup>2)</sup> Can also be mounted together with CBA-S

<sup>3)</sup> Can also be mounted onto an alarm contact CBT S-

<sup>4)</sup> Always direct onto the circuit breaker

*Under voltage and voltage trips to circuit breakers CTI 25M, CTI 45MB*

Type	Remarks	Code no.
VTU	Under voltage trip, 24 V/50 Hz-28 V/60 Hz, D1-D2	047B3214
VTU	Under voltage trip, 220-230 V/50 Hz, D1-D2	047B3217
VTU	Under voltage trip, 380-400 V/50 Hz, 440-460 V/60 Hz, D1-D2	047B3220

*Accessories for circuit breakers CTI 25M, CTI 45MB*

Type	Remarks	Code no.
BDH	Black door handle for mounting in panel doors IP66	047B3249
RDH	Red/yellow door handle for mounting in panel doors IP66	047B3250
	Door handle extension rod for CBI 100-BDH	047B3136

*Connection terminal blocks and bus bars for circuit breakers CTI 25M, CTI 45MB*

Type	Remarks	Spacing	Number of connections	Code No.
		[mm]		
BBT 52	Connection terminal block for CTI 25M	-	-	047B3259
BBC 25 45-2	Bus bar for CTI 25M	45	2	047B3261
BBC 25 45-3	Bus bar for CTI 25M	45	3	047B3262
BBC 25 45-5	Bus bar for CTI 25M	45	4	047B3263
BBC 25 45-5	Bus bar for CTI 25M	45	5	047B3264
BBC 25 54-2	Bus bar for CTI 25M	54	2	047B3265
BBC 25 54-3	Bus bar for CTI 25M	54	3	047B3266
BBC 25 54-4	Bus bar for CTI 25M	54	4	047B3267
BBC 25 54-5	Bus bar for CTI 25M	54	5	047B3268



Enclosures for the circuit breaker CTI 25M is made of deform-resistant grey ABS thermoplast.

The enclosures are available with black rotary handle on a grey background or with red rotary handle on a yellow background.

Circuit breaker type CTI 25M for overload protection of electric motors from 0.1 – 25 A full load current can be mounted into the enclosure.

**Features**

- Status indication ON-OFF-TRIP
- For maintenance purposes locking facility up to 3 padlocks
- Sealed cover
- High protection degree IP65
- Cable entries top and bottom M20/25
- Mounted with DIN-rail
- Mounted with earth terminal
- Possible installation of auxiliary and trip contacts
- Space for under voltage and voltage trips

*Used as:*

- Manual motor starter
- Mains isolator
- Maintenance switch
- Emergency switch together with under voltage trip

*Used on:*

- Small workshops for drilling machines
- Concrete mixer
- Air handling units
- Water booster systems
- Fan systems
- Transport belt

**Ordering**

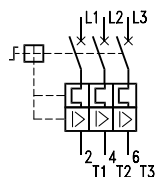
*Enclosures for CTI 25M*

Type	Application	Rotary handle	Cable entries	Code no.
BMG	Motor starter / Main switch	Black/grey	4 M20/25	047B3284
BMY	Motor starter / Emergency switch	Red/grey	4 M20/25	047B3285

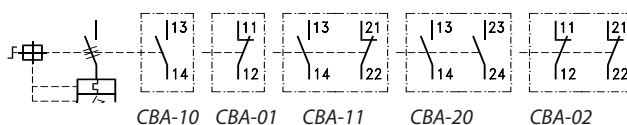
**Contact symbols for CTI and accessories**

**CTI 25M, CTI 45MB**

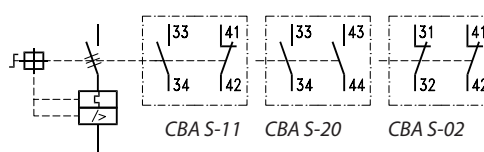
*Circuit breakers*



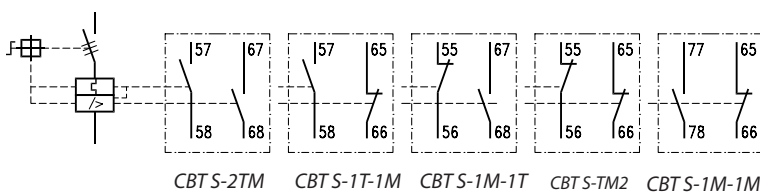
*Auxiliary contacts for front mounting*



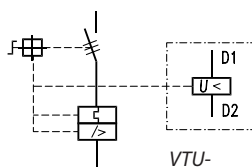
*Auxiliary contacts for side mounting*



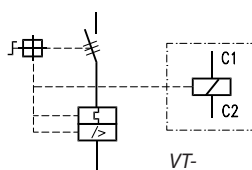
*Alarm contacts for side mounting*



*Under voltage trip*

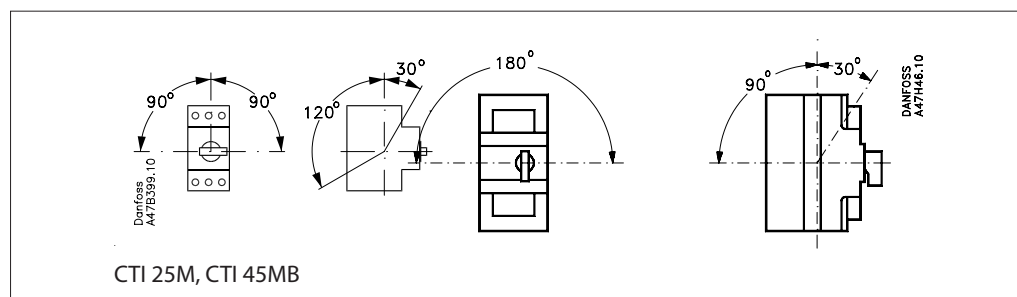


*Voltage trip*



**General specifications**

Parameters	CTI 25M, CTI 45MB
Isolation voltage IEC, SEV, VDE 0660 UL, CSA	690 V 600 V
Impulse voltage U <sub>imp</sub> /pollution degree	6 kV/3
Rated frequency range	50/60 Hz
Ambient temperature: Storage Operation Temperature compensation	-40 – 80 °C -25 – 60 °C -20 – 60 °C
Utilization category	As circuit breaker IEC 947-2 As motor starter IEC 947-4-1
Overload protection	Motors
Trip class	10
Magnetic trip	13 × (max. value of setting range)
Phase failure protection	Yes
Mechanical operations	100000
Electrical operations	30000
Switching frequency	Max 25 operations/hour
Resistance to climate change	according to IEC 68-2
Site altitude	2000 m N.N
Protection class	IP20
Resistance to vibration	IEC 68-2
Resistance to shock	30 g, 11 ms
Life span	0.1 – 25 A
Total power loss	6 – 8 W

**Mounting direction**


**Max. motor load**
*Circuit breaker for overload and short circuit protection of motor applications CTI 25M, CTI 45MB*

Type	Setting [A]	Motor operating voltage – Rated output in [kW]							
		220 – 240 V		380 – 415 V		500 V		690 V	
		AC-2	AC-3	AC-2	AC-3	AC-2	AC-3	AC-2	AC-3
CTI 25M	0.1 – 0.16	–	–	–	0.02	–	–	–	–
	0.16 – 0.25	–	–	–	0.06	–	–	–	–
	0.25 – 0.4	–	–	–	0.09	–	–	–	–
	0.40 – 0.63	0.06	0.09	0.12	0.18	–	0.18	–	0.25
	0.63 – 1.0	–	0.12	–	0.25	0.25	0.37	0.37	0.55
	1.0 – 1.6	0.18	0.25	0.37	0.55	0.55	0.75	0.75	1.1
	1.6 – 2.5	–	0.37	–	0.75	–	1.1	–	1.8
	2.5 – 4.0	0.55	0.75	1.1	1.5	1.5	2.2	2.2	3
	4.0 – 6.3	1.1	1.5	–	2.2	2.5	3	–	4
	6.3 – 10	–	2.2	3	4	4	6.3	5.5	7.5
	10 – 16	3	4	5.5	7.5	7.5	10	11	13
	14.5 – 20	4	5.5	7.5	10	–	11	15	17
	18 – 25	–	5.5	–	11	–	15	18.5	22
	24 – 29	–	7.5	–	13	–	18.5	–	25
27 – 32	–	7.5	–	15	–	20	–	25	
CTI 45MB	32 – 45	11	13	18.5	22	22	30	30	40

**Accessories for circuit breakers CTI 25M**
*Auxiliary and trip contacts CBA-, CBA S-, CBTS-*

Type	Description	$I_{th}$		AC-15					DC-13			
		40 °C	60 °C	24 V	120 V	220 – 240 V	380 – 415 V	690 V	24 V	120 V	240 V	415 V
		[A]	[A]	[A]	[A]	[A]	[A]	[A]	[A]	[A]	[A]	[A]
CBA-	Auxiliary contacts for front mounting	5	4	4	3	1.5	–	–	2	0.5	0.25	–
CBA S-	Auxiliary contacts for side mounting	10	6	6	5	3	2	0.7	2	0.5	0.25	0.15
CBTS-	Trip contacts for side mounting	10	6	6	5	3	2	0.7	2	0.5	0.25	0.15

*Bus bar terminal and Bus bar connection*

Type	Description	Max. load $I_{th}$ at 60 °C [A]
BBT 25	Bus bar terminal for CTI 25M	63
BBC 25	Bus bar connection for CTI 25M	63

*Voltage and under voltage trip VT-, VTU-*

Type	Description	Operating voltage range	Coil consumption
VT-	Voltage trip 21 V/50 Hz-415 V/50 Hz 24 V/60 Hz-480 V/60 Hz (max 300V UL) Endurance 100%	Pull-in 0.85-1.1xU <sub>S</sub> Drop-out 0.7-0.35x U <sub>S</sub>	Pull-in: 8.5 VA, 6 W Hold: 3 VA, 1.2 W
VTU-	Under voltage trip 21 V/50 Hz-415 V/50 Hz 24 V/60 Hz-480 V/60 Hz (max 300V UL) Endurance 100%	Pull-in 0.85-1.1xU <sub>S</sub> Drop-out 0.7-0.35x U <sub>S</sub>	Pull-in: 8.5 VA, 6 W Hold: 3 VA, 1.2 W

**Accessories for circuit breaker**

*Terminals*

Type	Comments	Recommended screwdriver size	Solid wire [mm <sup>2</sup> ]	Stranded wire [mm <sup>2</sup> ]	Stranded wire with sleeve [mm <sup>2</sup> ]	Tightening torque [Nm]
CTI 25M	1 conductor or 2 conductors	Pozi 2/ blade 3	1.5 – 6	1 – 6	1 – 4	1 – 2.5
CBA-	1 conductor or 2 conductors	Pozi 2/ blade 3	0.75 – 2.5	0.75 – 2.5	0.5 – 2.5	1.5
CBA S-	1 conductor or 2 conductors	Pozi 2/ blade 3	0.75 – 2.5	0.75 – 2.5	0.5 – 2.5	1.5
CBT S-	1 conductor or 2 conductors	Pozi 2/ blade 3	0.75 – 2.5	0.75 – 2.5	0.5 – 2.5	1.5
VTU-	1 conductor or 2 conductors	Pozi 2/ blade 3	0.75 – 2.5	0.75 – 2.5	0.5 – 2.5	1.5
CBA-	1 conductor or 2 conductors	Pozi 2/ blade 3	0.75 – 2.5	0.75 – 2.5	0.5 – 2.5	1.5
BBT 25	1 conductor	Pozi 2/ blade 3	6 – 25	6 – 25	4 – 16	3
BBT 25	2 conductors	Pozi 2/ blade 3	6 – 16	6 – 16	4 – 10	3



**Short circuit protection**

Short circuit coordination is the connection between the specifications of the protection devices, such as fuses, circuit breakers, MCCB and its ability to resist short circuit.

*Short circuit coordination type 1*
*Test demand*

O-t-CO

- O = Breaking a short circuiting
- CO = Making and breaking a short circuiting
- t = Defined pause (3 min)

No damage to equipment or personal injury may occur in the event of short circuit. However, contactors and thermal overload relays are not required to remain functional after short circuit. It is typically the maximum short circuit breaking capacity  $I_{cu}$  in use when a plant is dimensioned according to coordination type 1.

*Short circuit coordination type 2*
*Test demand*

O-t-CO-t-CO

- O = Breaking a short circuiting
- CO = Making and breaking a short circuiting
- t = Defined pause (3 min)

No damage to equipment or personal injury may occur in the event of short circuit. However, light contact welding is permissible, provided that contacts can be separated without deformation, using a screwdriver for example. Contactors and thermal overload relays must remain completely functional after short circuit.

It is typical the short circuit breaking capacity during operation  $I_{cs}$  in use when a plant is dimensioned according to coordination type 2.

Terms	Remarks
Prospective short circuit current ( $I_{cc}$ )	The prospective short circuit current is the current that flows during a bolt short circuiting without any short circuit protection device mounted
Rated ultimate short circuit breaking capacity ( $I_{cu}$ )	The ultimate short circuit breaking capacity is the maximum short circuit current specified by the manufacturer that a circuit breaker can handle under circumstances specified in IEC 947-2 and in EN 60947-2
Rated service short circuit breaking capacity ( $I_{cs}$ )	The rated service short circuit breaking capacity is the maximum short circuit current specified by the manufacturer that a circuit breaker can handle under circumstances specified in IEC 947-2 and in EN 60947-2
$I_r$ -current	The $I_r$ -current is a short circuit test current. The size of the $I_r$ -current is determined by the nominal current of the product. (See below)
$I_q$ current	$I_q$ -current is the maximum prospective short circuiting current stated by the manufacturer and often at the value 50 kA.
gL fuse	Indicates full short circuit protection at voltages 250V, 400V, 500V and 690V
gL fuse	Indicates full short circuit protection of wires.
gG fuse	Indicates full short circuit protection at general applications. (Will replace gL- and gL-fuses)
T fuse	Description of an English standard fuse.
BS 88	British Standard for smeltesikringer

Contactor size	Prospective short circuit test current
Rated current at AC-3 load	$I_r$ in [kA]
$0 < I_e < 16$	1
$16 < I_e < 63$	3
$63 < I_e < 125$	5
$125 < I_e < 315$	10
$315 < I_e < 630$	18
$630 < I_e < 1000$	30

**Back-up fuses type gG, gL  
and  $I_{cc} > I_{cu}$** 

Type	Setting [A]	220-240 V [A]	380-415 V [A]	440-460 V [A]	500 V [A]	690 V [A]
CTI 25M	0.1 – 0.16	–	–	–	–	–
	0.16 – 0.25	–	–	–	–	–
	0.25 – 0.4	–	–	–	–	–
	0.4 – 0.63	–	–	–	–	–
	0.63 – 1.0	–	–	–	–	–
	1.0 – 1.6	–	–	–	–	16
	1.6 – 2.5	–	–	–	–	20
	2.5 – 4.0	–	–	–	–	35
	4.0 – 6.3	–	–	–	–	50
	6.3 – 10	–	–	63	80	50
	10 – 16	–	80	63	80	63
	14.5 – 20	100	100	80	80	63
	18 – 25	100	100	80	80	63
	24 – 29	125	125	100	100	80
27 – 32	125	125	100	100	80	
CTI 45MB	32 – 45	–	125	125	125	100

– = No fuse required

**Circuit breaker for motor applications**

Type	Thermal setting range [A]	Magnetic Trip current [A]	Breaking capacity in kA										
			220 – 240 V		380 – 415 V		440 – 460 V		500 V		690 V		
			$I_{cu}$	$I_{cs}$	$I_{cu}$	$I_{cs}$	$I_{cu}$	$I_{cs}$	$I_{cu}$	$I_{cs}$	$I_{cu}$	$I_{cs}$	
CTI 25M	0.1 – 0.16	2.1	100	100	100	100	100	100	100	100	100	100	100
	0.16 – 0.25	3.3	100	100	100	100	100	100	100	100	100	100	100
	0.25 – 0.40	5.2	100	100	100	100	100	100	100	100	100	100	100
	0.40 – 0.63	8.2	100	100	100	100	100	100	100	100	100	100	100
	0.63 – 1.0	13	100	100	100	100	100	100	100	100	100	100	100
	1.0 – 1.6	21	100	100	100	100	100	100	100	100	8	8	8
	1.6 – 2.5	33	100	100	100	100	100	100	100	100	8	8	8
	2.5 – 4.0	52	100	100	100	100	100	100	100	100	8	8	8
	4.0 – 6.3	82	100	100	100	100	100	100	100	100	4	4	4
	6.3 – 10	130	100	100	100	100	50	50	50	50	4	4	4
	10 – 16	208	100	100	65	50	10	6	10	6	3	3	3
	14.5 – 20	260	65	50	50	15	6	6	6	6	3	3	3
	18 – 25	325	65	50	15	15	6	6	6	6	3	3	3
	24 – 29	406	50	25	15	15	6	6	6	6	3	3	3
27 – 32	448	50	25	15	15	6	6	6	6	3	3	3	
CTI 45MB	32 – 45	585	100	100	65	50	50	50	50	50	10	6	6

**UL/CSA specifications**
*Auxiliary contacts and alarm contacts CBA-, CBA S-, CBT-, CBT S-*

Type	Description	AC	DC	Max back up fuse type gG, gL
CBA-	Auxiliary contacts for front mounting	B300	Q300	0A
CBA S-	Auxiliary contacts for side mounting	B600	Q600	0A
CBT S-	Alarm contacts for side mounting	B600	Q600	0A

**Terminals**

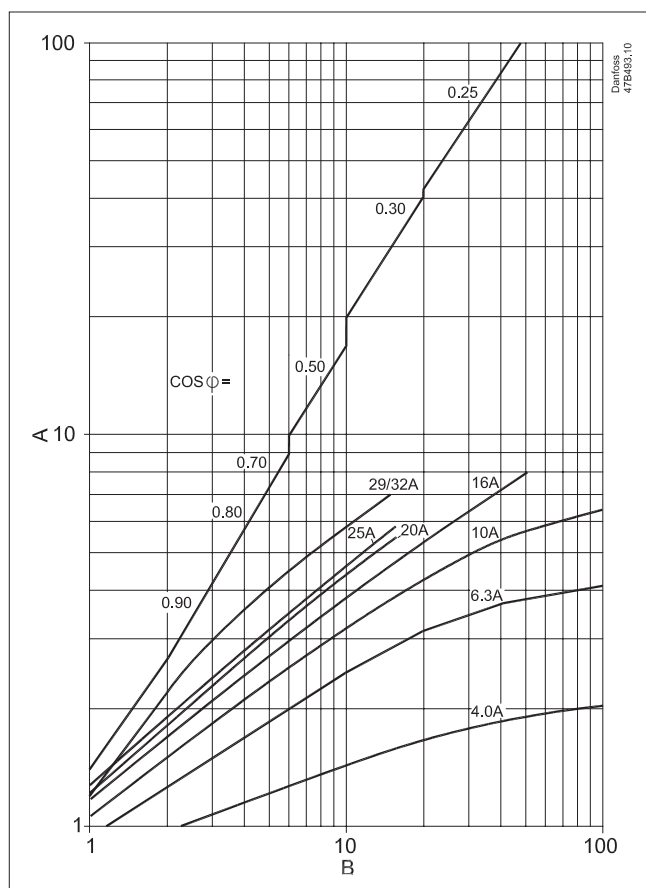
Type	Comments	Recommended screwdriver size	Solid wire AWG	Stranded wire AWG	Stranded wire with sleeve AWG	Tightening torque [lb-in]
CTI 25M	1 conductor or 2 conductors	Pozi 2/ blade 3	No. 16-8	No. 16-8	No. 16-12	8.9-22
CTI 45MB	1 conductor	Pozi 2/ blade 4	No. 14-6	No. 14-6	No. 14-8	13-31
CTI 45MB	2 conductors	Pozi 2/ blade 4	No. 14-4	No. 14-4	No. 14-6	13-31
CBA-	1 conductor or 2 conductors	Pozi 2/ blade 3	No. 14-6	No. 14-6	No. 14-8	13.3
CBA S-	1 conductor or 2 conductors	Pozi 2/ blade 3	No. 18-14	No. 18-14	No. 18-14	13.3
CBT S-	1 conductor or 2 conductors	Pozi 2/ blade 3	No. 18-14	No. 18-14	No. 18-14	13.3
VTU-	1 conductor or 2 conductors	Pozi 2/ blade 3	No. 18-14	No. 18-14	No. 18-14	13.3
CBA-	1 conductor or 2 conductors	Pozi 2/ blade 3	No. 18-14	No. 18-14	No. 18-14	13.3
BBT 25	1 conductor	Pozi 2/ blade 3	No. 18-14	No. 18-14	No. 18-14	27
BBT 25	2 conductors	Pozi 2/ blade 3	No. 14-6	No. 14-6	No. 14-8	27

**UL/CSA specifications**
*Circuit breaker for overload- and short circuit protection of motor applications*

Type	Range [A]	Motor rating in hp					Prospective short circuit current [kA]	
		1-phase run		3-phase run			480 V	600 V
		115 V	230 V	230 V	460 V	575 V		
CTI 25M	0.1 – 0.16	–	–	–	–	–	65	47
	0.16 – 0.25	–	–	–	–	–	65	47
	0.25 – 0.4	–	–	–	–	–	65	47
	0.4 – 0.63	–	–	–	–	–	65	47
	0.63 – 1.0	–	–	–	–	½	65	47
	1.0 – 1.6	–	⅓	–	¾	¾	65	47
	1.6 – 2.5	–	⅓	½	1	1 ½	65	30
	2.5 – 4.0	⅓	⅓	¾	2	3	65	25
	4.0 – 6.3	¼	½	1 ½	3	5	65	30
	6.3 – 10	½	1	3	5	7 ½	65	30
	10 – 16	¾	2	5	10	10	30	30
	14.5 – 20	1	3	5	–	15	10	10
	18 – 25	1 ½	–	7 ½	15	20	10	5
24 – 29	–	–	10	20	25	10	–	
27 – 32	–	–	10	25	30	10	–	
CTI 45MB	32 – 45	3	7 ½	15	30	40	65	18

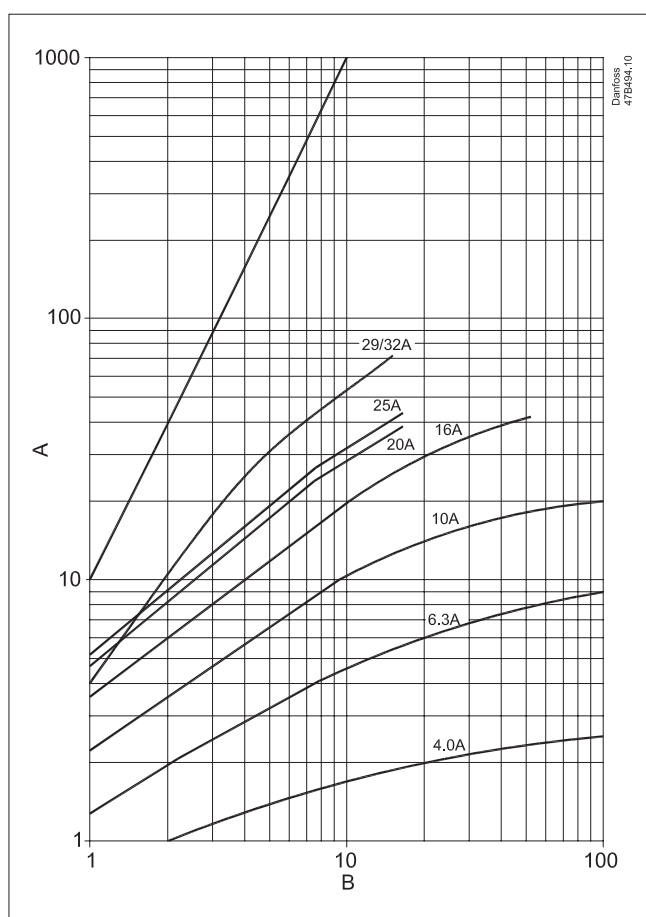
**Let-through curves for circuit breakers CTI 25M**

Max let-through current for circuit breakers CTI 25M



A: Max let-through current  $I_D$  [kA]  
 B: The prospective short circuit current at 415 V  $I_{CC}$  [kA]

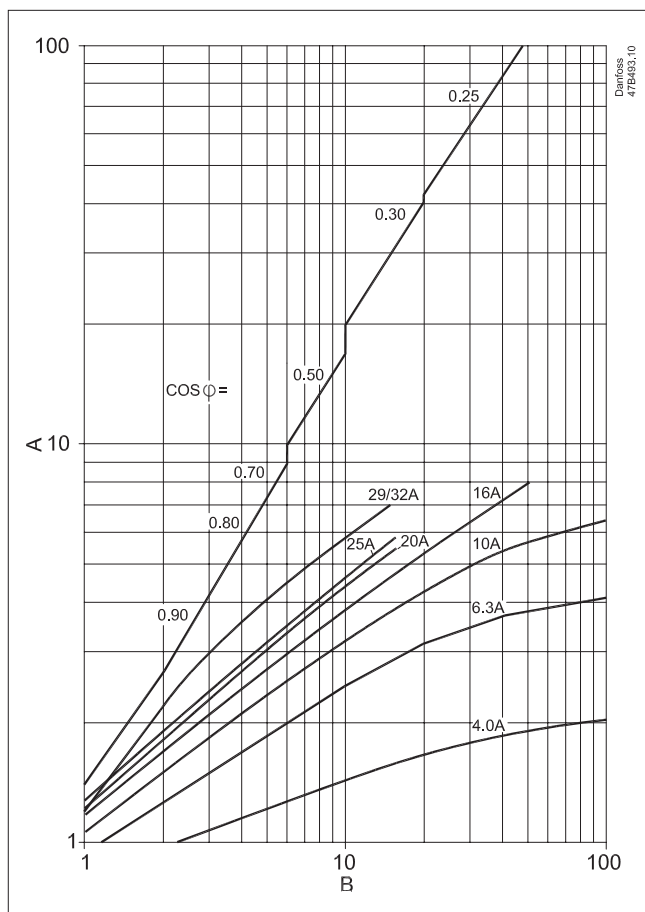
Max let-through energy for circuit breakers CTI 25M



A: Max let-through energy  $I^2t$  [kA<sup>2</sup>s]  
 B: The prospective short circuit current at 415 V  $I_{CC}$  [kA]

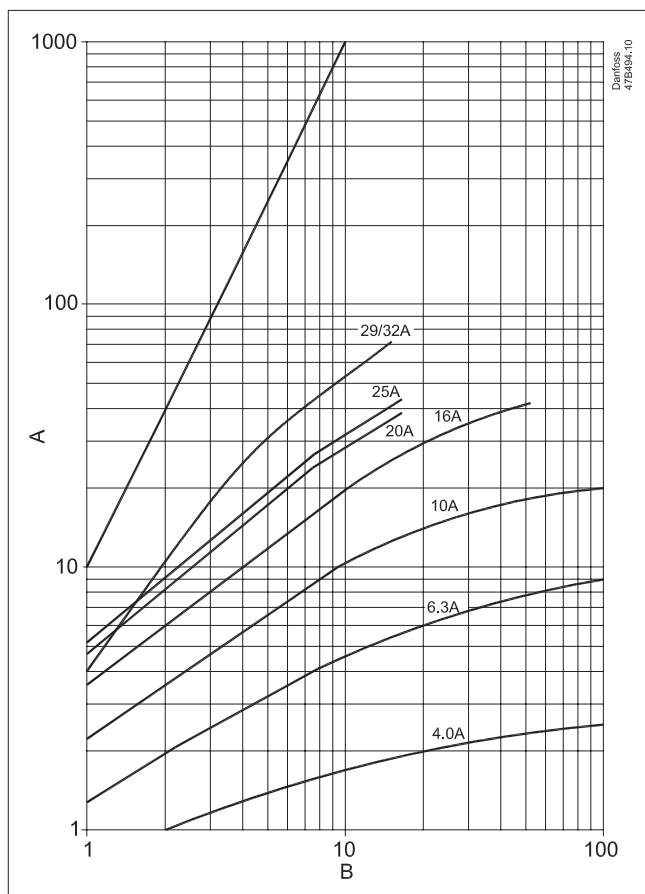
**Let-through curves for circuit breakers CTI 45MB**

Max let-through current for circuit breakers CTI 45MB



A: Max let-through current  $I_D$  [kA]  
 B: The prospective short circuit current at 415 V  $I_{cc}$  [kA]

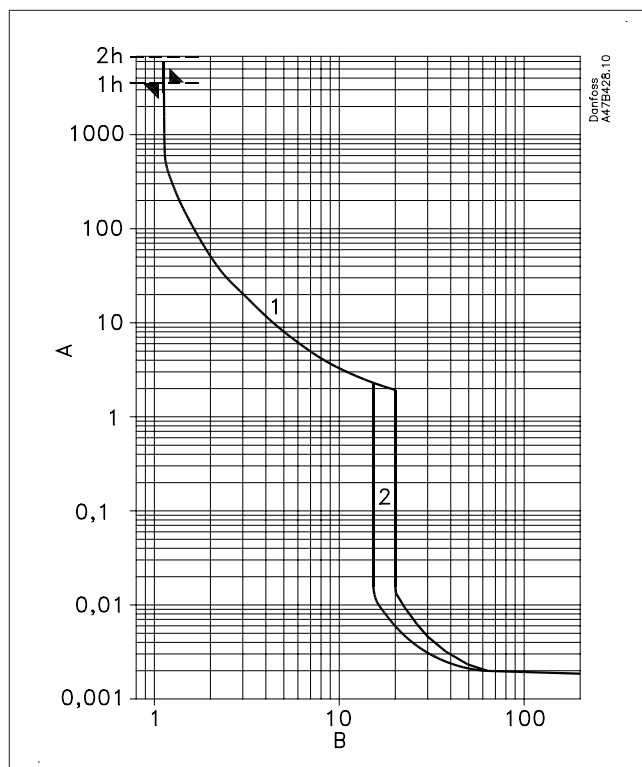
Max let-through energy for circuit breakers CTI 45MB



A: Max let-through current  $I^2t$  [kA<sup>2</sup>s]  
 B: The prospective short circuit current at 415 V  $I_{cc}$  [kA]

**Overload protection of motors**

Tripping characteristic for CTI 25M



A: Trip time in sec.  
B: Times the adjustable current Ief

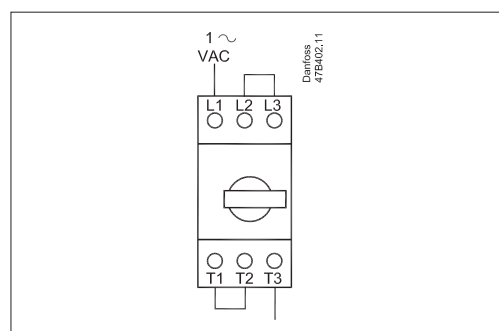
1) Thermal trip

The adjustable bimetals ensure a reliable overload protection of motors. The curve is mean value curve at 20°C ambient temperature from cold state. It also ensures protection of motors by phase failure (differential trip).

All three bimetals must be connected in series by overload protection of 1-phase motors.

2) Magnetic trip

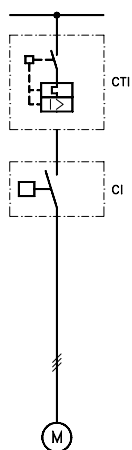
The electromagnetic trips react at a fixed response current. The size of the fixed response current correspond typically to 13 times of the maximum range of the circuit breakers CTI 25M, CTI 45MB.



**Coordination without fuse**

**Circuit breakers and contactors**

Max. prospective short-circuit-current  $I_q = 50 \text{ kA}$   
 Voltage 380-415 V/50 Hz  
 Overload protection CTI 25M, CTI 45MB  
 Short-circuit protection CTI 25M, CTI 45MB  
 Short-circuit coordination T1 and T2

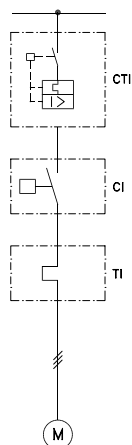


Contactor	Coordination type 1		Coordination type 2	
	$I_r$ <sup>1)</sup> and $I_q = 50 \text{ kA}$			
	CTI 25M	CTI 45MB	CTI 25M	CTI 45MB
	Max. CTI range [A]			
CI 5-2, CI 5, CI 5-9, CI 5-12	25	45	2.5	2.5
CI 6, CI 9	25	45	2.5	2.5
CI 12, CI 15	25	45	4.0	4.0
CI 16	25	45	6.3	20
CI 20, CI 25	25	45	6.3	25
CI 30	25	45	10	25
CI 32	-	45	-	32
CI 37, CI 45, CI 50	-	90	-	45
CI 61, CI 73, CI 86	-	-	-	90

<sup>1)</sup> Short-circuit current according to EN 60947-4 (see page 16)

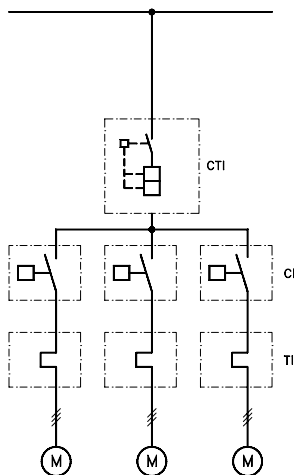
**Circuit breakers, contactors and thermal overload relays**

Max. prospective short-circuit current  $I_q = 50 \text{ kA}$   
 Voltage 380-415 V/50 Hz  
 Overload protection Thermal overload relay type TI 9C, TI 16C, TI 25C, TI 30C, TI 80  
 Short-circuit protection CTI 25M, CTI 45MB  
 Short-circuit coordination T1

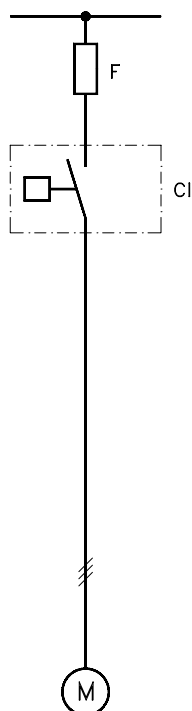


Contactor	Thermal overload relay range [A]	Coordination type T1 Test current $I_r$ <sup>1)</sup> and $I_q = 50 \text{ kA}$ Max. CTI range [A]
CI 5-9, CI 6, CI 9	0.13 – 0.20	45
CI 5-9, CI 6, CI 9	0.19 – 0.29	45
CI 5-9, CI 6, CI 9	0.27 – 0.42	45
CI 5-9, CI 6, CI 9	0.4 – 0.62	45
CI 5-9, CI 6, CI 9	0.6 – 0.92	45
CI 5-9, CI 6, CI 9	0.85 – 1.3	45
CI 5-9, CI 6, CI 9	1.2 – 1.9	63
CI 5-9, CI 6, CI 9	1.8 – 2.8	63
CI 5-9, CI 6, CI 9	2.7 – 4.2	63
CI 5-9, CI 6, CI 9	4 – 6.2	63
CI 9	6 – 9.2	63
CI 12, CI 15	8 – 12	63
CI 15, CI 16	11 – 16	90
CI 16, CI 20	15 – 20	90
CI 25	19 – 25	90
CI 30	24 – 32	90
CI 32	22 – 32	90
CI 37, CI 45	30 – 45	90
CI 50, CI 61	42 – 63	90
CI 73	60 – 80	90
CI 86	74 – 85	90

<sup>1)</sup> Short-circuit current according to EN 60947-4 (see page 16)



**Coordination with fuse**



**Contactors**

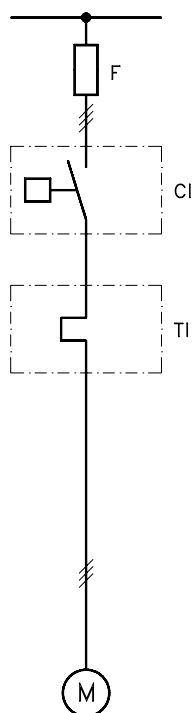
Max. prospective short-circuit current  $I_q = 50 \text{ kA}$   
 Voltage 380-415 V/50 Hz  
 Overload/short-circuit protection gG and T (BS88)  
 Short-circuit coordination T1 and T2

Contactor	Short-circuit coordination					
	T1		T2			
	Test current					
	$I_r^{(1)}$ and $I_q = 50 \text{ kA}$		$I_r^{(1)}$ and $I_q = 10 \text{ kA}$		$I_r^{(1)}$ and $I_q = 50 \text{ kA}$	
	gG [A]	T [A]	gG [A]	T [A]	gG [A]	T [A]
CI 5-2, CI 5-9, CI 5-12	25	32	16	20	16	20
CI 6, CI 9, CI 12, CI 15	50	63	25	32	25	32
CI 16	80	80	25	32	25	32
CI 20, CI 25	80	08	25	32	25	32
CI 30	80	80	35	40	25	32
CI 32	125	125	50	63	35	40
CI 37, CI 45, CI 50	125	125	80	80	80	80
CI 61, CI 73, CI 86	250	-	-	-	160	-
CI 141	315	-	-	-	250	-
CI 180	355	-	-	-	315	-
CI 210 EI, CI 250 EI	500	-	-	-	400	-

<sup>1)</sup> Short-circuit current according to EN 60947-4 (see page 16)

**Contactors and thermal overload relays**

Max. prospective short-circuit current  $I_q = 50 \text{ kA}$   
 Voltage 380-415 V/50 Hz  
 Overload/short-circuit protection gG and T (BS88)  
 Short-circuit coordination T1 and T2



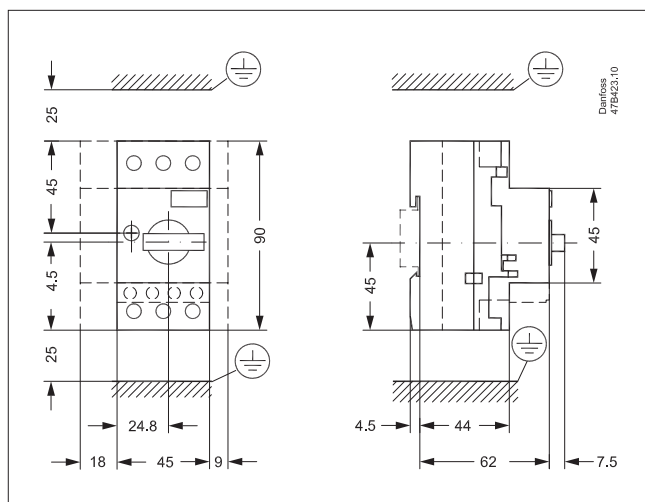
Contactor	Thermal overload relay [A]	Short-circuit coordination					
		T1		T2			
		Test current					
		$I_r^{(1)}$ and $I_q = 50 \text{ kA}$		$I_r^{(1)}$ and $I_q = 10 \text{ kA}$		$I_r^{(1)}$ and $I_q = 50 \text{ kA}$	
		gG [A]	T [A]	gG [A]	T [A]	gG [A]	T [A]
CI 5-9, CI 6, CI 9	0.13 - 0.20	25	32	2	2	-	-
CI 5-9, CI 6, CI 9	0.19 - 0.29	25	32	2	2	-	2
CI 5-9, CI 6, CI 9	0.27 - 0.42	25	32	2	2	2	2
CI 5-9, CI 6, CI 9	0.4 - 0.62	25	32	4	4	4	4
CI 5-9, CI 6, CI 9	0.6 - 0.92	25	32	4	6	4	6
CI 5-9, CI 6, CI 9	0.85 - 1.3	25	32	4	6	4	6
CI 5-9, CI 6, CI 9	1.2 - 1.9	25	32	6	10	6	10
CI 5-9, CI 6, CI 9	1.8 - 2.8	25	32	6	10	6	10
CI 5-9, CI 6, CI 9	2.7 - 4.2	25	32	16	20	16	20
CI 5-9, CI 6, CI 9	4 - 6.2	35	40	20	25	20	25
CI 5-9, CI 6, CI 9	6 - 9.2	50	50	20	25	20	25
CI 12	8 - 12	63	63	25	32	25	32
CI 15, CI 16	11 - 16	80	80	25	32	25	32
CI 20, CI 25	15 - 20	80	80	35	40	35	40
CI 25	19 - 25	80	80	35	40	35	40
CI 30	24 - 32	80	80	35	40	35	40
CI 32	16 - 23	125	125	50	63	35	40
CI 32	22 - 32	125	125	63	63	35	40
CI 37, CI 45	30 - 45	125	125	80	80	63	63
CI 50	42 - 63	125	125	80	80	63	63
CI 61	42 - 63	160	-	-	-	80	-
CI 73	60 - 80	160	-	-	-	125	-
CI 86	74 - 85	160	-	-	-	160	-
CI 98	20 - 180	250	-	-	-	200	-
CI 141	20 - 180	315	-	-	-	250	-
CI 180	20 - 180	355	-	-	-	315	-
CI 210 EI, CI 250 EI	160 - 630	500	-	-	-	400	-
CI 300 EI, CI 420 EI	160 - 630	630	-	-	-	500	-

<sup>1)</sup> Short-circuit current according to EN 60947-4 (see page 16)

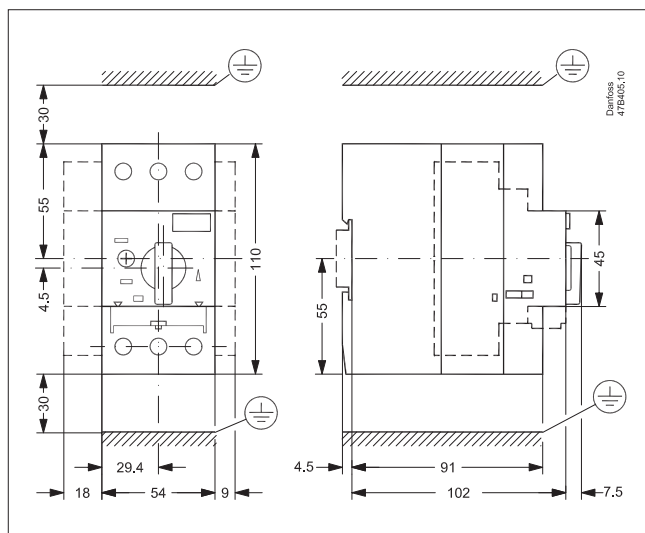


Dimensions

Circuit breakers CTI 25M

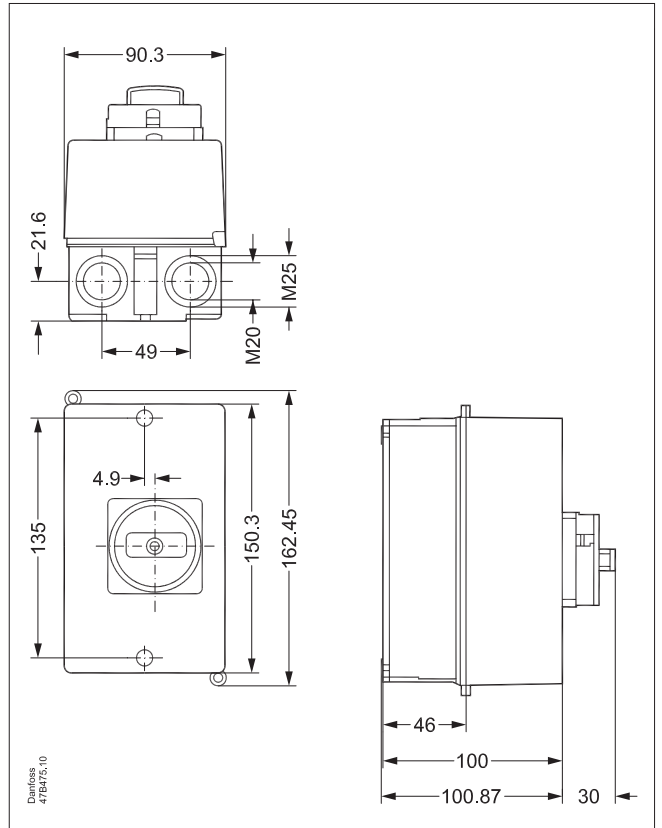


Circuit breakers CTI 45MB



**Dimensions**

*Enclosures BMG and BMY  
for circuit breakers CTI 25M*



## X-ON Electronics

Largest Supplier of Electrical and Electronic Components

*Click to view similar products for [Circuit Breaker Accessories](#) category:*

*Click to view products by [Danfoss](#) manufacturer:*

Other Similar products are found below :

[CSC-403PS](#) [8T1-D-11A](#) [B151-7184-L](#) [NEB10](#) [8C1-C-721](#) [8T1-E-115](#) [8T1-E-275](#) [8T1-E-278](#) [4-1393247-8](#) [4-1393247-9](#) [506-11315-001](#)  
[3803221](#) [3803231](#) [NEB6](#) [X10506BF](#) [NES](#) [9-1393249-0](#) [802-ESB50UL489](#) [3RV2011-1CA15](#) [607.5689.127](#) [30.329](#) [CA707/TS/01](#)  
[11-32-2733](#) [X10508BF](#) [X22261102](#) [975090700](#) [CX2.5/4/O](#) [975090701](#) [PS-2P](#) [Y30019003](#) [C-TEC1225 P](#) [PS-1006](#) [618.6335.069](#)  
[975455700](#) [BAC03](#) [930727103](#) [934097101](#) [ZG20-1](#) [934097100](#) [JX2.5/4](#) [KEM380CUL](#) [CC848756916](#) [JX2.5/6](#) [JX2.5/5](#) [HSP6/10U](#)  
[DMRBU BLACK BOX](#) [DB16/BU](#) [DB16/BL](#) [CM2.5S2](#) [973604100](#)