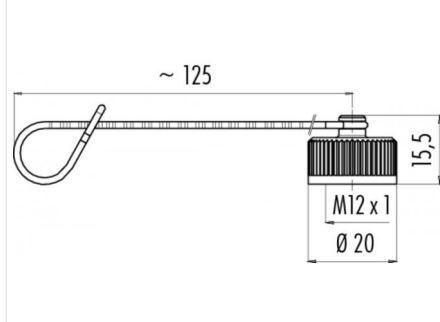


Product **713-825: Protection cap for cable plug connector, IP67**
 Article number **08 2424 010 000**

Illustration



Scale drawing



Matching products

- Cable plug connector, plastic lock, screw terminal connection, with UL approval
- Cable plug connector, metal lock, screw terminal connection
- Cable plug connector, stainless steel threaded lock, gold plated contacts, screw terminal connection, with UL approval
- Dual plug connector, plastic lock, screw terminal connection, with UL approval
- Dual plug connector, metal lock, screw terminal connection, Optimal contact plating, with UL approval
- Dual plug connector, stainless steel threaded lock, screw terminal connection, gold plated contacts, with UL approval
- Cable plug connector, shieldable, screw terminal connection, static ring version with die-cast threaded ring, with UL approval
- Cable plug connector, shieldable, static ring version with die-cast threaded ring, solder connection, with offset soldering surfaces, with UL approval
- Cable plug connector, shieldable, screw terminal connection, iris type spring with die-cast threaded ring, with UL approval
- Cable plug connector, shieldable, screw terminal connection, static ring version, stainless steel model, with UL approval
- Cable plug connector with wire clamp connection
- Cable plug connector, shieldable, wire clamp connection, static ring version with die-cast threaded ring
- Cable plug connector, shieldable, wire clamp connection, iris type spring, with die-cast threaded ring
- Cable plug connector, with insulation displacement connection, gold contact plating
- Male angled connector, plastic lock, screw terminal connection, with UL approval
- Male angled connector, metal lock, screw terminal connection
- Male angled connector, stainless steel threaded lock, screw terminal connection, gold plated contacts, UL approval
- Dual male angled connector, plastic lock, screw terminal connection, with UL approval
- Dual male angled connector, metal lock, screw terminal connection, with UL approval
- Male angled connector, shieldable, screw terminal connection, static ring version with die-cast threaded ring, with UL approval
- Male angled connector, shieldable, iris type spring, screw terminal connection, with die-cast threaded ring, with UL approval
- Male angled connector with wire clamp connection
- Male angled connector, shieldable, wire clamp connection, static ring version with die-cast threaded ring
- Male angled connector, shieldable, iris type spring, wire clamp connection with die-cast threaded ring
- Cable plug connector, overmoulded
- Cable plug connector, overmoulded, weld-spark proof PUR line
- Cable plug connector, overmoulded, shielded
- Cable plug connector, overmoulded, stainless steel threaded ring
- Male angled connector, overmoulded
- Male angled connector, overmoulded, weld-spark proof PUR line
- Male angled connector, overmoulded, shielded
- Male angled connector, overmoulded, stainless steel threaded ring
- Cable plug connector, POWER, screw terminal connection, UL approval
- Male angled connector, POWER, screw terminal connection
- Cable plug connector, metal lock, screw terminal connection, with UL approval
- Cable plug connector, shieldable, screw terminal connection, static ring version with die-cast threaded ring, with UL approval
- Cable plug connector, shieldable, screw terminal connection, iris type spring with die-cast threaded ring, with UL approval
- Cable plug connector, shieldable, screw terminal connection, static ring version, stainless steel model, with UL approval
- Cable plug connector, shieldable, wire clamp connection, static ring version with die-cast threaded ring
- Cable plug connector, shieldable, wire clamp connection, iris type spring, with die-cast threaded ring
- Male angled connector, metal lock, screw terminal connection, with UL approval
- Male angled connector, shieldable, screw terminal connection, static ring version with die-cast threaded ring, with UL approval
- Male angled connector, shieldable, screw terminal connection, iris type spring, with die-cast threaded ring, with UL approval
- Male angled connector, shieldable with wire clamp connection, with die-cast threaded ring
- Male angled connector, shieldable, iris type spring shield, with wire clamp connection, with die-cast threaded ring
- Cable plug connector, overmoulded

Product	713-825: Protection cap for cable plug connector, IP67
Article number	08 2424 010 000

Male angled connector, overmoulded
Adaptor, switch cabinet bushing, shielded, with UL approval
Cable plug connector, shieldable, CAT 5 screw terminal connection, static ring version with die-cast threaded ring, with UL approval
Cable plug connector, shieldable, CAT 5 screw terminal connection, iris type spring with die-cast threaded ring, with UL approval
Cable plug connector, shieldable, screw terminal connection, static ring version, stainless steel model, with UL approval
Cable plug connector, CRIMP connection, shieldable, CAT 5
Male angled connector, shieldable, CAT 5 screw terminal connection, static ring version with die-cast threaded ring, with UL approval
Male angled connector, shieldable, CAT 5 screw terminal connection, iris type spring, with die-cast threaded ring, with UL approval
Male angled connector, CRIMP connection, shieldable, CAT 5
Adaptor, switch cabinet bushing, shielded, with UL approval
Cable plug connector with X-coding, shieldable, CAT 6A, insulation displacement connection
Cable plug connector, power, S-coding
Male angled connector, power, S-coding
Kabelstecker, POWER, T-Kodierung
Male cable connector, moulded, T-Coding, PUR (black)
Female cable connector, moulded, T-Coding, PUR (black)
Connecting cable, Male cable connector M12x1, T-Coding-Female cable connector M12x1, T-Coding, PUR
Cable plug connector M12 x 1
Male angled connector M12 x 1

X-ON Electronics

Largest Supplier of Electrical and Electronic Components

Click to view similar products for [Sensor Fixings & Accessories](#) category:

Click to view products by [Binder manufacturer](#):

Other Similar products are found below :

[EC18-WELL](#) [SA9Z-F11](#) [E4R-R12A-CS3M010](#) [E4R-R12A-CS3M020](#) [BS-1T](#) [CHITAN](#) [ICAB-1](#) [SA9Z-S07PN02](#) [ECT18-WELL](#) [57142-000](#)
[79450811](#) [T18908](#) [P2435.3](#) [TM1STNTCW69755](#) [FRS2](#) [P2432.3](#) [P2434.3](#) [AS7030B_WRISTBAND](#) [AS7038GB_WRISTBAND](#) [EVAL-](#)
[CHAMBER](#) [EVAL-CHAMBER-10](#) [MB18A](#) [R-6717-4F6](#) [51001R](#) [1412058](#) [1412059](#) [734209100](#) [ASI M12 VS](#) [440148](#) [430233](#) [440101](#)
[440102](#) [440121](#) [440122](#) [440131](#) [440132](#) [440135](#) [440136](#) [440147](#) [XSZB108](#) [Y92E-BC12](#) [Y92E-BC18](#) [843-12AC/DC](#) [844-12AC/DC](#)
[771000-6011](#) [771000-6202](#) [812-12AC/DC](#) [834-12AC/DC](#) [910G](#) [913G](#) [92.031.9058.1](#) [92.032.9058.1](#)