

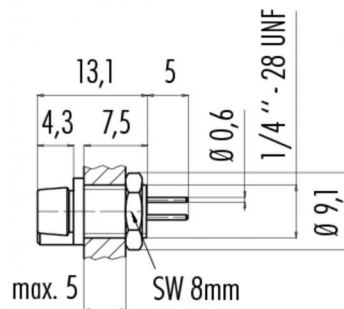
Product description **Contacts: 5, female panel mount connector, dip-solder**

Area **Snap-in IP40 Series 709/719**
Order number **09 9792 20 05**

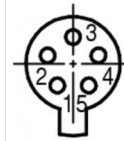
Illustration



Scale drawing



Contact arrangement



	X	Y
1	-0,88	-1,21
2	-1,42	0,46
3	0,00	1,49
4	1,42	0,46
5	0,88	-1,21

You can find the component part drawing and assembly instructions on the next page.

Technical data

General values

Connector design	female panel mount connector
Connector locking system	snap
Termination	dip-solder
Upper limit temperature	70 °C
Lower limit temperature	-25 °C

Electrical values

Rated current (40 °C)	3 A
Rated voltage	60 V
Rated impulse voltage	800 V
Pollution degree	1
Overvoltage category	II
Insulating material group	III
Volume resistivity	≤ 3 mΩ
Insulation resistance	≥ 10 ¹⁰ Ω
EMC compliance	Shielding is not possible
Degree of protection	IP40
Mechanical operation	> 100 Mating cycles

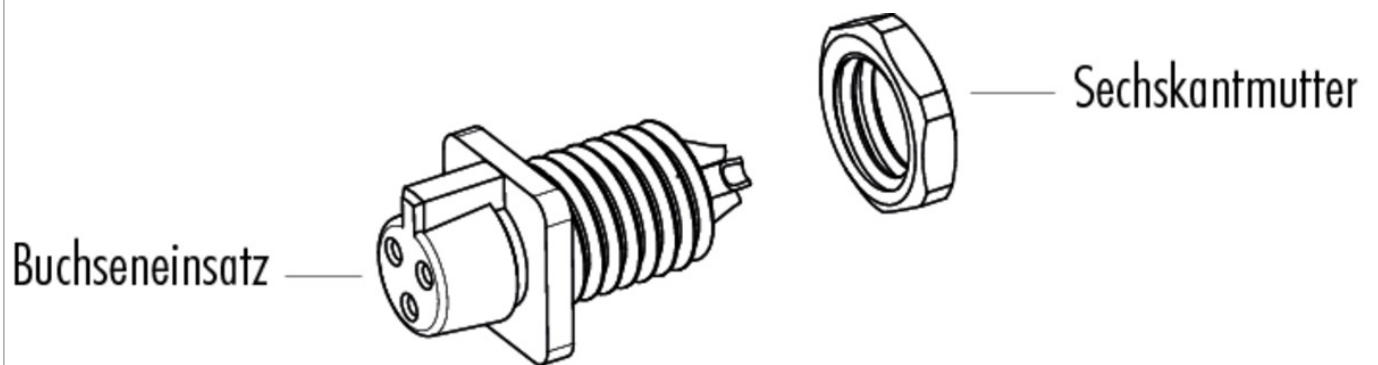
Material

Contact material	CuSn (bronze)
Contact plating	Au (gold)
Contact body material	PA
Housing material	PA

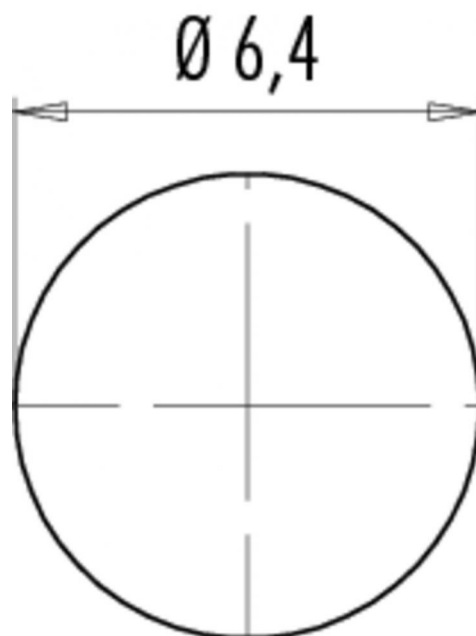
Product description **Contacts: 5, female panel mount connector, dip-solder**

Area **Snap-in IP40 Series 709/719**
Order number **09 9792 20 05**

Component part drawing



Assembly instructions / Panel cut-out



Product description **Contacts: 5, female panel mount connector, dip-solder**

Area **Snap-in IP40 Series 709/719**
Order number **09 9792 20 05**

Security notices

The connectors are designed for use in plant, control system and electrical equipment. The end user is responsible for checking whether the connectors are suitable for use in other applications.

X-ON Electronics

Largest Supplier of Electrical and Electronic Components

Click to view similar products for [Unspecified Connectors](#) category:

Click to view products by [Binder manufacturer](#):

Other Similar products are found below :

[1-21107-1](#) [RAD-OUT-8D-REL](#) [RF-17S1N8A80DU](#) [2-21053-5](#) [PSC-28-1](#) [38111](#) [403000A10M050](#) [1-1589688-1](#) [QUINT-PS/1AC/48DC/10](#)
[99 9113 02 05](#) [578302](#) [578286](#) [130623](#) [186316](#) [153253](#) [186328](#) [153276](#) [153341](#) [153322](#) [153354](#) [193951](#) [130642](#) [1713941](#) [HC-DD72-I-](#)
[CT-F](#) [VC-AR1/2M-S88-SET](#) [RC-5AS2000](#) [RC-Z2068](#) [VC-TR5/6M](#) [RAD-900-CONF-RF1](#) [RAD-CON-SMA-N-SS](#) [RAD-ISM-900-ANT-](#)
[OMNI-0-6](#) [RAD-PIG-EF316-N-RSMA](#) [KST-POF](#) [RIF-0-RPT-12DC/21](#) [RIF-1-BPT/2X21](#) [RIF-1-RPT-LV-120AC/2X21AU](#) [RIF-RH-1](#) [PV-](#)
[FT-C2F-HSG](#) [HC-EVO-B06-HHFS-2B-PL-BK](#) [99 0210 00 04](#) [801377](#) [803579](#) [710-00007](#) [122.005-6](#) [122.012-10](#) [122.018-10](#) [122.038-6](#)
[125.038-8](#) [135.016](#) [136.0804](#)