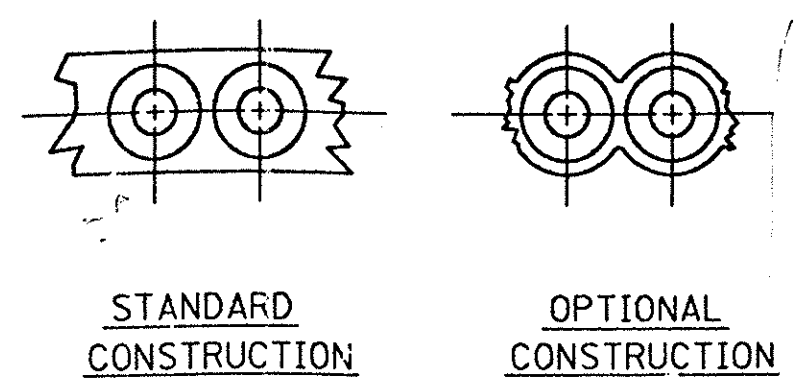
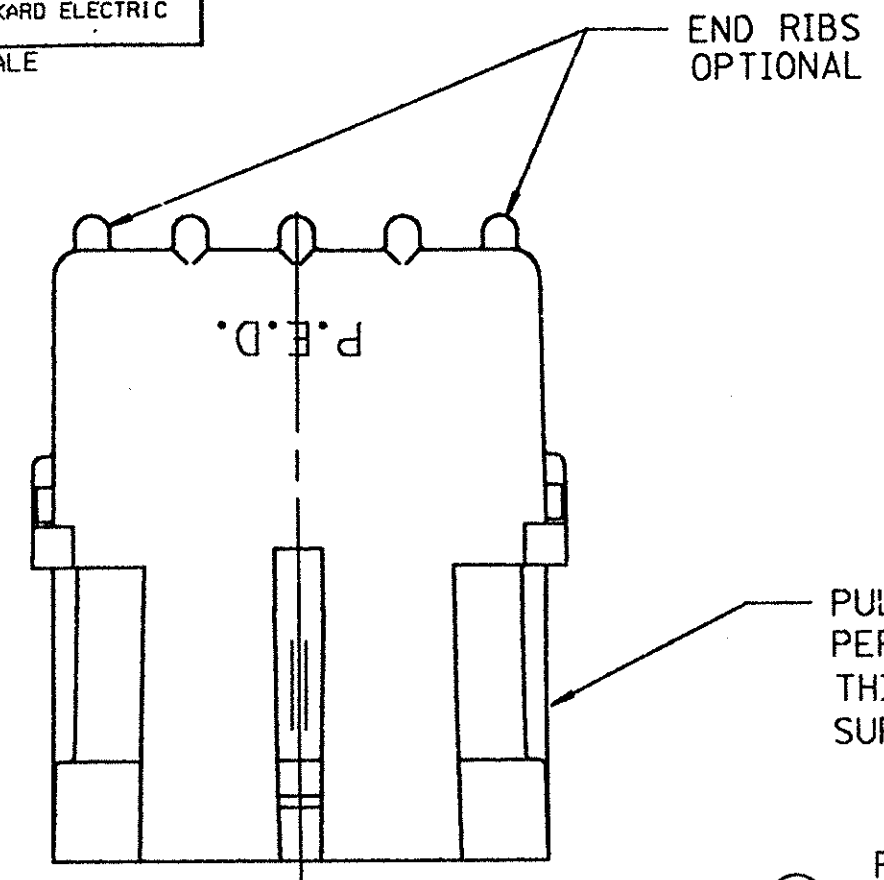
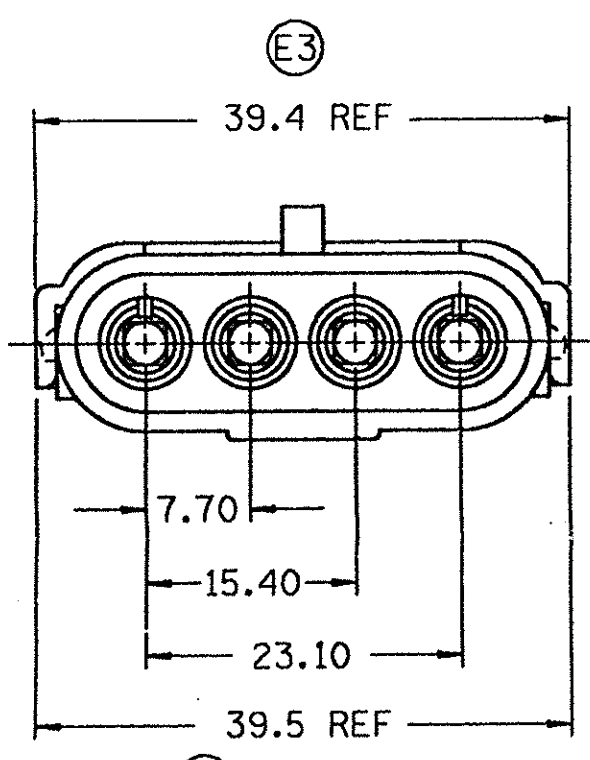


THIS DRAWING AND DESIGN HEREON CONSTITUTES A PROPRIETARY DESIGN OF PACKARD ELECTRIC DIVISION AND IS NOT TO BE DUPLICATED OR REPRODUCED WITHOUT AUTHORITY OF PACKARD ELECTRIC DIVISION.

DO NOT SCALE



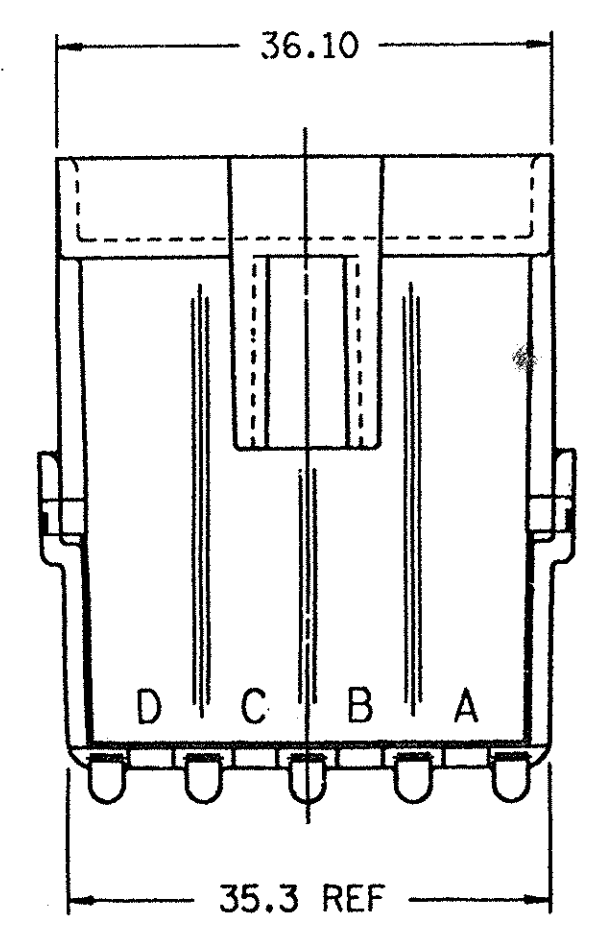
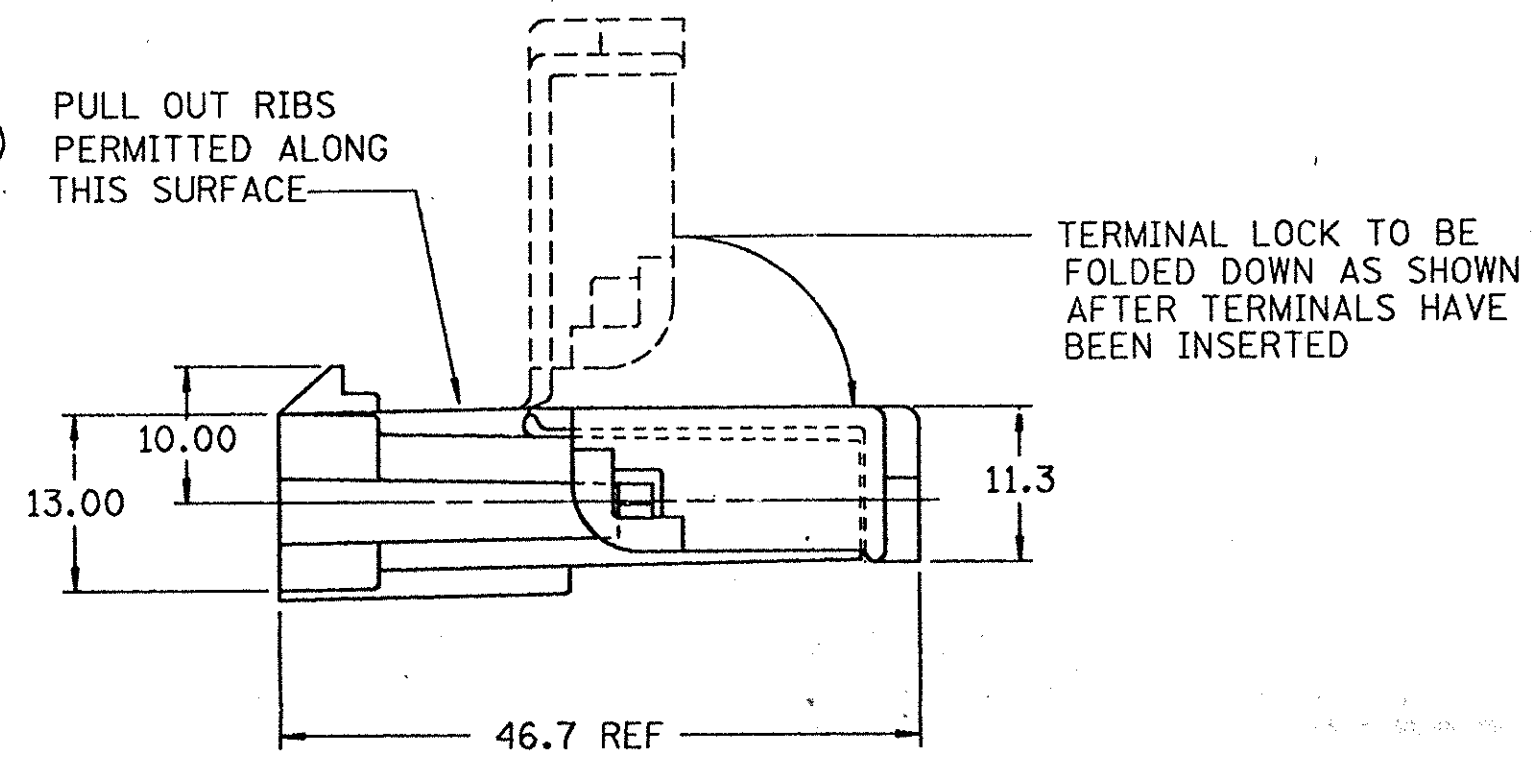
CABLE END VIEW OF CONN BODY



INDEX CODE -1001- (ALSO SEE HANDBOOK)

(E3) PULL OUT RIBS PERMITTED ALONG THIS AND OPPOSITE SURFACE

(E3) PULL OUT RIBS PERMITTED ALONG THIS SURFACE



- NOTES**—1. CAVITIES TO ACCEPT 12089040 TERMINAL OR EQUIVALENT.  
 2. MATING CONNECTOR IS 12015797/12015787.  
 3. SEALING CODE 3.  
 4. USE 12015323 CABLE SEAL OR EQUIVALENT.  
 5. BLOCK-OFF ASM PART NUMBER-12048957.  
 6. CAUTION: DO NOT ATTEMPT TO COPY THIS DRAWING WHEN DESIGNING A MATING PART TO A WEATHER PACK CONNECTOR. PLEASE REQUEST THE LATEST COPY OF DRAWING NUMBER 12020084 FROM THE PACKARD ELECTRIC DIVISION.

DATE	SYM	REVISION RECORD	AUTHORITY	DR	CK
09N090	E2	REDRAWN, REVISED NOTES, REMOVED			
		DIM (1 PLC) & ADDED INDEX CODE	137278	CJS	JC
10JL91	E3	REVISED DIMS 4 PLCS & ADDED RIB NOTES	143246	JK	JH

PART NO. 1201 0974

PED/INTEGRAPH		FILE CPEJAK8 ZGB: 1115, 2771120109740.0E311 SPEC: TUE JUL 16 07:35:43 1991	
THIRD ANGLE PROJECTION		METRIC DIMENSIONS ARE IN MILLIMETERS UNLESS OTHERWISE SPECIFIED.	
CODE NO. 6900		TOLERANCE UNLESS OTHERWISE SPECIFIED DECIMAL ANGULAR ± 2° ONE PLACE ± 0.3 TWO PLACE ± 0.15	
DWG. DATE 23MR79	SCALE NONE	DR. J.E. THIES	09JL81
EST. NO.		CK. T. MUDRY	DATE 5JL81
REFERENCE NO. 12010974 "E" SIZE		APPR. F. RIDER	DATE 04MR80
		APPR. A. WINYARD	DATE 04MR80
MATERIAL SPEC. NYLON 6 BLACK			
NAME CONN 4M W/P SHD			
PART NO. 1201 0974	OUTLINE DRAWING		SIZE C

PACKARD ELECTRIC DIVISION  
GENERAL MOTORS CORPORATION  
WARREN, OHIO

## X-ON Electronics

Largest Supplier of Electrical and Electronic Components

*Click to view similar products for [Automotive Connectors](#) category:*

*Click to view products by [APTIV](#) manufacturer:*

Other Similar products are found below :

[003-018-000](#) [600858](#) [60403001](#) [60993906-B](#) [60993913-B](#) [629515004020001](#) [M902-2131](#) [M902-2161](#) [M902-2344](#) [72.330.1035.1](#)  
[73.353.4028.0](#) [F118010](#) [F119300-B](#) [F132210](#) [F132210-B](#) [F166900](#) [F180100](#) [F258300](#) [F258300-B](#) [F294300-B](#) [F339100](#) [F339700](#) [F358300-](#)  
[B](#) [F374110](#) [F407400](#) [F412210](#) [F427600](#) [F444110](#) [F487000](#) [F495100-B](#) [F500900-B](#) [F509500B-B](#) [770444-1](#) [776880-1](#) [827153-1](#) [881735-1](#)  
[8N1515-32-24P](#) [9-1326727-8](#) [9-1326729-8](#) [925467-1](#) [925474-1](#) [928905-1](#) [936398-2](#) [964562-1](#) [964562-4](#) [964731-2](#) [965051-1](#) [968782-1](#)  
[GT17SA-8DS-HU](#) [GT17VS-10DP-5.2CF](#)