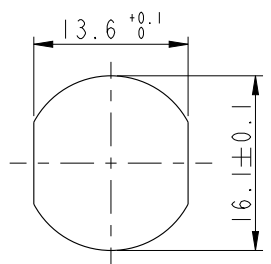
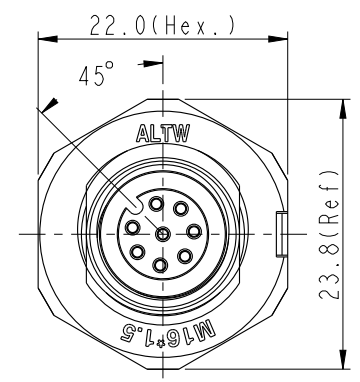
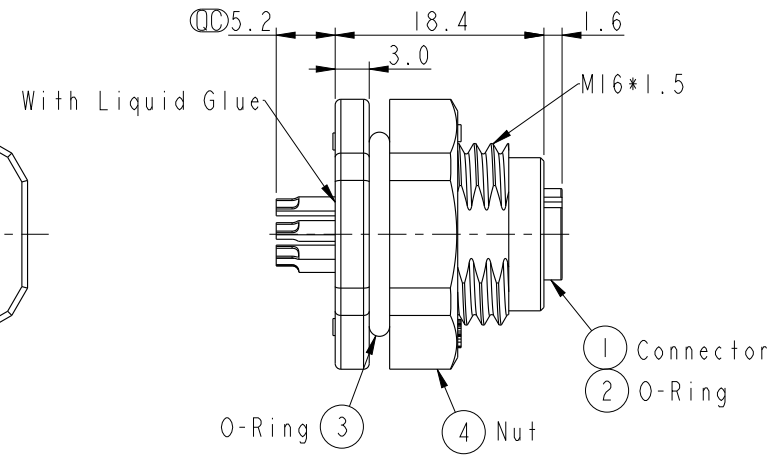
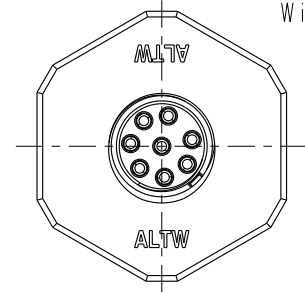


THIS DOCUMENT IS SUBJECT TO CHANGE WITHOUT NOTICE. IT IS CONFIDENTIAL AND A PROPERTY OF Amphenol LTW. DISCLOSURE TO THIRD PARTY HAS TO BE AUTHORIZED BY Amphenol LTW.

REV.	ECN NO.	DATE	SIGN	DESCRIPTION



Recommended Panel Cut-Out



M SAP - XX P F F S - S F 8 002

SAP: A-Code Plastic

03: 3Pin  
04: 4Pin  
05: 5Pin  
08: 8Pin

P: Panel (板端)

F: Female Connector (母座)

002: M16\*1.5

8: IP68 (防水等級68)

F: Front Fasten (前鎖式/Enclosure Rear Mount)

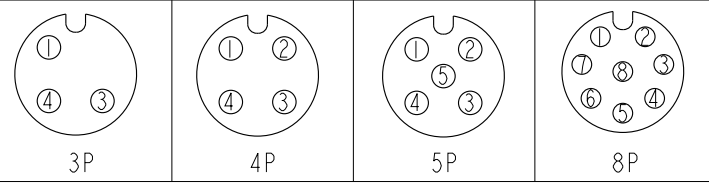
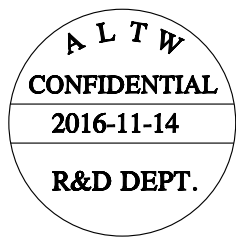
S: Screw (螺紋式)

S: Solder Type (焊接式)

F: Female Pin (母Pin)

Note:

- \*  $\varnothing$  Important Dimension To Check
- \* Waterproof Tate: IP68 (水深1米, 24hrs)
- \* Connector: Nylon+GF, 94V-0, Black
- \* Female Pin: Copper Alloy, Gold Plated
- \* Shield: Nylon+GF, 94V-0, Black
- \* Nut: Nylon+GF, 94V-0, Black
- \* Rated Voltage: 3 & 4Pin 250V dc. or ac.  
5Pin 60V dc. or ac.  
8Pin 30V dc. or ac.
- \* Rated Current: 3~5Pin 4A  
8Pin 2A
- \* O-Ring (Inner): Silicone, Gray, 94V-0
- \* O-Ring (Outer): Silicone, Gray, 94V-0
- \* For panel Thickness Max 4.9mm



Pin Assignment Front View

M12A-03PMMS-SF8002
M12A-04PMMS-SF8002
M12A-05PMMS-SF8002
M12A-08PMMS-SF8002

Item No.

UNIT: mm		TITLE M12 A-Code Female Conn. Solder Front Type (Plastic)
TOLERANCE .X ±0.25 .XX ±0.1 .XXX ±0.05 ANGLES ±1°	SCALE 3:2	SIZE A4
REV. A	WC-REV. A.1	SHEET 1 OF 1
$\varnothing$ : Inspection item		

**Amphenol LTW**  
安費諾亮泰企業股份有限公司

ITEM NO.	DRAWN BY Yulong_wang	DATE 2016-11-14
DWG NO. MSAP-XXPFFS-SF8002	CHECKED BY Jinhai	DATE 2016-11-14
CUSTOMER ALTW	APPROVED BY Jerry	DATE 2016-11-14

## X-ON Electronics

Largest Supplier of Electrical and Electronic Components

*Click to view similar products for [Standard Circular Connector](#) category:*

*Click to view products by [Amphenol](#) manufacturer:*

Other Similar products are found below :

[C015](#) [10F006](#) [001](#) [1](#) [5M2530B10P](#) [600259N006](#) [600273N007](#) [600432N009](#) [6280-2PG-519](#) [6280-3PG-311](#) [6280-3SG-311](#) [6280-7SG-3DC](#)  
[6280-7SG-522](#) [6282-5PG-311](#) [6282-6PG-519](#) [6282-8SG-311](#) [6283-11](#) [6283-15](#) [6290](#) [6382-2PG-311](#) [6382-2PG-3DC](#) [6382-2SG-321](#) [6382-2SG-3DC](#) [6382-4SG-516](#) [67-03E20-37P](#) [680-SMG](#) [681-PMG](#) [CXS3102A14S2P](#) [CXS3102A181S](#) [CXS3106A14S6S](#) [MB12P-1](#) [MB12R-6](#)  
[7251-2PG-300](#) [7251-2SG-300](#) [7251-4PG-300](#) [7251-4SG-300](#) [7251-5PG-300](#) [7251-5SG-300](#) [7251-6SG-300](#) [7251-7PG-300](#) [7251-8PG-300](#)  
[7271-6SG-300](#) [7282-3PG-300-CH3](#) [73000005663](#) [75-190216-08S](#) [75-190218-10P](#) [75-474118-10P](#) [75-474618-01S](#) [75-474620-07P](#) [799539-000](#) [MI8-SE](#) [80-190222-18P](#) [805-005-07NF11-19PC](#)