

- **Monitor pressures in compressed air systems for optimum efficiency**
- **Triple calibrated scale indicates pressure in psi, bar, and Mpa (megapascal)**
- **Back or bottom connection**
- **Panel mount, stainless steel, and Underwriters Laboratories, Inc. listed gauges available**

**Technical Data**

Fluid: Compressed air and inert gasses

Maximum pressure: 100% of full scale on gauge

Operating temperature: -30° to 175°F (-34° to 80°C)*

* Air supply must be dry enough to avoid ice formation at temperatures below 35°F (2°C).

Accuracy:

2% of full scale at midrange

3% of full scale at other ranges

Materials

Body

Standard: Gauges may have a steel or plastic body

Optional: Stainless steel

Crystal:

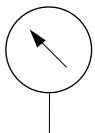
Standard steel and plastic bodies have plastic crystal

Optional stainless steel body has glass crystal

Connector:

Standard steel and plastic bodies have brass connector

Optional stainless steel body has stainless steel connector

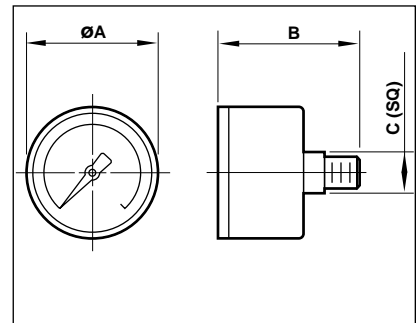
ISO Symbol



Ordering Information, Black Face Gauges - psi outer scale, bar middle scale, Mpa inner scale

Center Back Connection

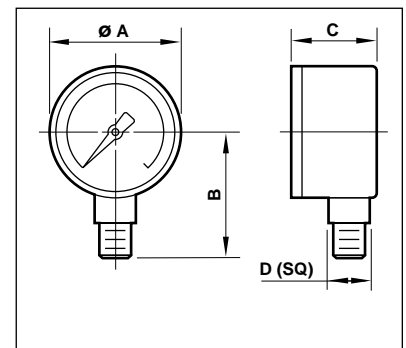
Outer Scale psig	Scale Range		1/8 NPT 1.5" (40mm) Diameter	1/8 NPT 2" (50mm) Diameter	1/4 NPT 2" (50mm) Diameter	R1/4 2" (50mm) Diameter
	Middle Scale bar	Inner Scale Mpa				
0 to 30	0 to 2	0 to 0.2	18-013-214	18-013-201	18-013-207	—
0 to 60	0 to 4	0 to 0.4	18-013-211	18-013-202	18-013-208	18-013-268
0 to 100	0 to 7	0 to 0.7	—	18-013-203	18-013-235	—
0 to 160	0 to 11	0 to 1.1	18-013-212	18-013-204	18-013-209	18-013-269
0 to 300	0 to 20	0 to 2.1	—	18-013-205	18-013-210	18-013-270
0 to 400	0 to 28	0 to 2.8	—	18-013-206	—	—



A	B	C
1.5 (40)	1.60 (41)	0.47 (12)
2.0 (50)	1.85 (47)	0.55 (14)

Bottom Connection - 2" (50 mm) diameter gauges do not have the Mpa scale

Outer Scale psig	Scale Range		1/8 NPT 1.5" (40mm) Diameter	1/4 NPT 2" (50mm) Diameter
	Middle Scale bar	Inner Scale Mpa		
0 to 15	0 to 1	—	—	18-013-082
0 to 30	0 to 2	0 to 0.2	18-013-224	18-013-030 *
0 to 60	0 to 4	0 to 0.4	18-013-225	18-013-083 *
0 to 100	0 to 7	0 to 0.7	18-013-265	18-013-084 *
0 to 160	0 to 11	0 to 1.1	18-013-273	18-013-085 *
0 to 300	0 to 20	—	—	18-013-086 *
0 to 2000	0 to 135	—	—	18-013-244 *†
0 to 3000	0 to 205	—	—	18-013-087 *†



A	B	C	D
1.5 (40)	1.42 (36)	0.90 (23)	0.47 (12)
2.0 (50)	1.73 (44)	1.03 (26)	0.55 (14)

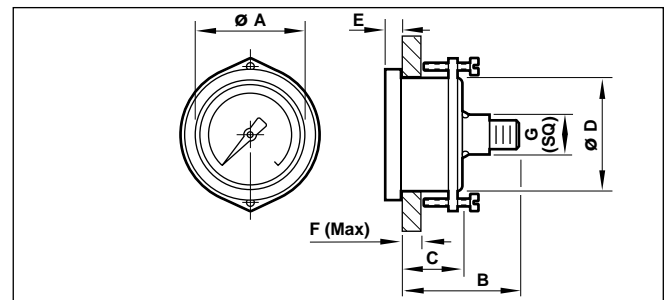
* Underwriters Laboratories Inc. Listed

† Shipped with pulsation dampener installed.

Center Back Connection, Panel Mounted

Outer Scale psig	Scale Range		1/4 NPT Male and 10-32 Female 1.5" (40mm) Diameter
	Middle Scale bar	Inner Scale Mpa	
0 to 30	0 to 2	0 to 0.2	5PG-306-000 **
0 to 60	0 to 4	0 to 0.4	5PG-312-000 **
0 to 100	0 to 7	0 to 0.7	5PG-320-000 **

** Requires 1.63" (41 mm) diameter panel hole.



A	B	C	D	E	F (Max)	G
1.5 (40)	1.51 (38)	0.86 (22)	1.61 (41)	0.18 (5)	0.5 (13)	0.55 (14)

Alternative Models

Pulsation Dampener: Add **-9D** to the end of the model number.



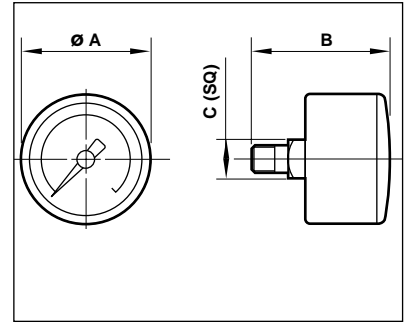
Air Pressure Gauges

All Dimensions in Inches (mm)

Ordering Information, White Face Gauges - bar outer scale, Mpa middle scale, psi inner scale

Center Back Connection

Scale Range			R1/8 1.5" (40mm) Diameter	R1/8 2" (50mm) Diameter	R1/8 2.5" (63mm) Diameter
Outer Scale bar	Middle Scale Mpa	Inner Scale psi			
0 to 1.6	0 to 0.16	0 to 23	18-013-991	18-013-010	—
0 to 4	0 to 0.4	0 to 56	18-013-990	18-013-011	—
0 to 6	0 to 0.6	0 to 84	—	18-013-012	—
0 to 10	0 to 1.0	0 to 140	18-013-989	18-013-013	18-013-856
0 to 16	0 to 1.6	0 to 240	—	—	18-013-855
0 to 25	0 to 2.5	0 to 360	18-013-908	18-013-014	—



A	B	C
1.5 (40)	1.77 (45)*	0.55 (14)
2.0 (50)	1.93 (49)	0.55 (14)
2.5 (63)	1.89 (48)	0.55 (14)

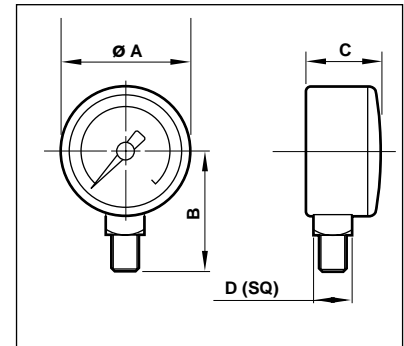
* 1.57 (40) on 1/8 PTF stainless steel gauges
1.85 (47) on 1/4 PTF stainless steel gauges

Stainless Steel Gauges - gauges do not have the Mpa scale

Scale Range		1/8 PTF 1.5" (40mm) Diameter	1/4 PTF 1.5" (40mm) Diameter
Outer Scale bar	Inner Scale psi		
0 to 6	0 to 84	—	18-013-913
0 to 10	0 to 140	18-013-844	18-013-909
0 to 25	0 to 360	—	18-013-905

Bottom Connection

Scale Range			R1/8 2" (50mm) Diameter	G1/4A 2.5" (63mm) Diameter
Outer Scale bar	Middle Scale Mpa	Inner Scale psi		
0 to 1.6	0 to 0.16	0 to 23	18-013-024	—
0 to 4	0 to 0.4	0 to 56	18-013-025	—
0 to 6	0 to 0.6	0 to 84	18-013-026	—
0 to 10	0 to 1.0	0 to 140	18-013-027	18-013-854
0 to 16	0 to 1.6	0 to 240	—	18-013-853
0 to 25	0 to 2.5	0 to 360	18-013-028	—



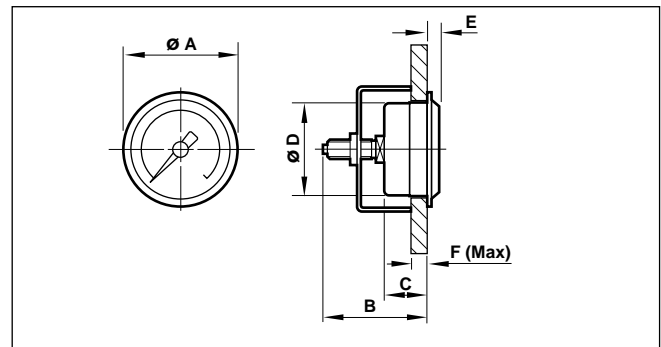
A	B	C	D
2.0 (50)	1.77 (45)	1.10 (28)	0.55 (14)
2.5 (63)	2.09 (53)	1.10 (28)	0.55 (14)

Center Back Connection, Panel Mount

Scale Range			G1/8A 2" (50mm) Diameter	G1/8A 2.5" (63mm) Diameter
Outer Scale bar	Middle Scale Mpa	Inner Scale psi		
0 to 6	0 to 0.6	0 to 84	18-013-858 *	—
0 to 10	0 to 1.0	0 to 140	18-013-857 *	18-013-852 †
0 to 16	0 to 1.6	0 to 240	—	18-013-851 †

* Requires 2.01" (51 mm) diameter panel hole.

† Requires 2.52" (64 mm) diameter panel hole.



A	B	C	D	E	F
2.0 (50)	2.17 (55)	1.02 (26)	1.93 (49)	0.20 (5)	0.37 (9.5)
2.5 (63)	2.20 (56)	1.06 (27)	2.44 (62)	0.24 (6)	0.37 (9.5)

X-ON Electronics

Largest Supplier of Electrical and Electronic Components

Click to view similar products for [Other Tools](#) category:

Click to view products by [Norgren](#) manufacturer:

Other Similar products are found below :

[CR-05FL7--150R](#) [CR-05FL7--698K](#) [899-2-KT46](#) [899-5-KT46](#) [CR-0AFL4--332K](#) [CR-12FP4--260R](#) [CRCW04021961FRT7](#) [5800-0090](#)
[CRCW0603102JRT5](#) [59065-5](#) [00-8273-RDPP](#) [00-8729-WHPP](#) [593033](#) [593058](#) [593072](#) [593564100](#) [593575](#) [593591](#) [593593](#) [011349-000](#)
[LTI506SBLAMNBL](#) [LUC-012S070DSM](#) [LUC-018S070DSP](#) [599-2021-3-NME](#) [599-JJ-2021-03](#) [00-5080-YWPP](#) [5E4750/01-20R0-T/R](#)
[LW1A-L1-GL](#) [LW1A-P1-GD](#) [LW1L-A1C10V-GL](#) [LW1L-M1C70-A](#) [0202-0173](#) [00-9089-RDPP](#) [00-9300-RDPP](#) [01-1003W-8/32-10](#) [601-](#)
[GP-08-KT39](#) [601-JJ-06](#) [601-SPB](#) [601YSY](#) [602-JJ-03](#) [602SPB](#) [602Z](#) [603-JJ-07-FP](#) [603-JJY-04](#) [604J](#) [604-JJ-05](#) [CRTN1013](#) [CS16](#) [6-](#)
[1579014-0](#) [CSB2](#)