



## Mini Mono P and Mini Mono V

- High quality siren sound
- Bayonet mounting plate for ease of installation
- Choice of voltages
- Choice of horizontal (Mini Mono P) or vertical (Mini Mono V) mounting arrangement
- Low voltage DC and high voltage AC for use in all applications

The Mini Mono P is a small siren designed for fire and general alarm signalling.

Designed for ease of mounting, it has a separate mounting plate which connects to the main body with a bayonet locking action and has a locking screw for additional security.

The mounting plate is suitable for surface mounting or for use with a conduit (BESA) box depending on installation requirements.

A vertically mounting version (Mini Mono V) is also available and is fitted with a protective cover.

## Applications

- Fire alarm
- General purpose alarm
- Process control
- Time signalling

**Fire** ✓

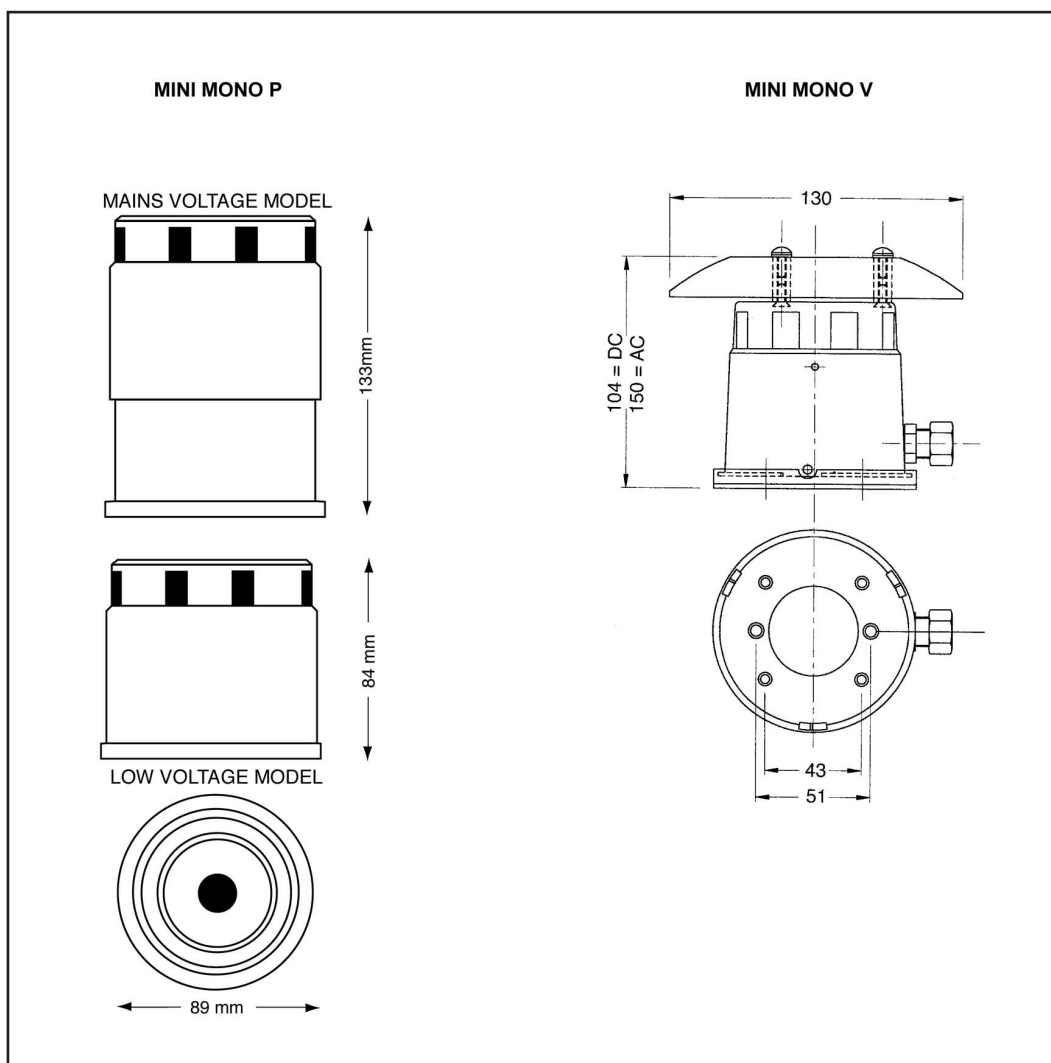
**Security** ✓

**Industrial** ✓

**Railway/Marine** ✗

**Hazardous Area** ✗

**Public Warning** ✗



Part No.	Colours	Audibility at 1m	Tones	Voltage	Current
<b>Mini Mono P</b>					
18-980224	Grey	103dB (A) ±3dB	1	12V DC	1A
18-980226	Grey	103dB (A) ±3dB	1	24V DC	0.5A
18-980228	Grey	100dB (A) ±3dB	1	110/230V AC	0.13/0.085A
<b>Mini Mono V</b>					
18-980235	Grey	103dB (A) ±3dB	1	12V DC	1A
18-980234	Grey	103dB (A) ±3dB	1	24V DC	0.5A
18-980236	Grey	100dB (A) ±3dB	1	110/230V AC	0.13/0.085A

**IP Rating:** IP44  
**Rating:** Continuous  
**Frequency:** 1000Hz  
**Operating temp:** -30°C to +80°C  
**Construction:** High impact ABS plastic  
**Cable Entries:** 1  
**Colours:** Grey  
**Weight:** Mini Mono P (DC): 0.2kg; Mini Mono P (AC): 0.5kg  
 Mini Mono V (DC): 0.3kg; Mini Mono V (AC): 0.6kg

## X-ON Electronics

Largest Supplier of Electrical and Electronic Components

*Click to view similar products for [Audio Indicators & Alerts](#) category:*

*Click to view products by [KLAXON SIGNALS](#) manufacturer:*

Other Similar products are found below :

[M2BJ-BH24E](#) [6-4](#) [68S1240-PA](#) [MBA-624](#) [F/BC 40P-DR LF](#) [FDG111PLF](#) [F/NRMB 24 BLACK LF](#) [PF-35N29WQ](#) [PFD-27A35PQ](#) [PL-27A35PSQ](#) [PS-531Q](#) [AB2020B-2-LW1](#) [EBPT-401](#) [PB06SD12AP](#) [PB-1220PEQ](#) [S6109](#) [SC2036ACP](#) [SC616N-2](#) [SC628FW](#) [SC628MPG](#) [SC648D](#) [SCS045MD9DT3S](#) [AB2025B-LW50-R](#) [ESZ-25B-5-250B](#) [F/BC 35-DR LF](#) [FCM12PLF](#) [F/EB20P-DR LF](#) [F/HU110MP24V-IP67B LF](#) [AI-2835-TF-LW150-2-R](#) [AI-4228-TF-LW305-R](#) [FSMD8585JSLF](#) [FSS-26T](#) [F/SU 21-02 LF](#) [F/TCW 05 WITH LABEL LF](#) [F/UCW 03 WITH LABEL LF](#) [F/UCW 06 WITH LABEL LF](#) [PKM22EPPH40S1-B0](#) [PKM35-4A0](#) [PL-35N29WQ](#) [PLD-27A35PQ](#) [PS-552Q](#) [CM-5](#) [M2BJ-BH24E-D](#) [REF-202](#) [LSC628ANR](#) [5-100](#) [PAL-328](#) [03-810.001](#) [RTO-1R07-001](#) [PL-21N31PQ](#) [PF-27A25PSQ](#)