

Sonos Sounder (DC)

A general purpose electronic sounder for fire, security and industrial applications; the Sonos Sounder is certified to EN54.

With the TimeSaver base, connections are made to the base during the initial wiring phase which results in faster and more reliable installation. The sounder head 'twists and clicks' into the base on commissioning, avoiding the wiring and connection problems associated with traditional sounders.

With a choice of 32 tones including all the major international standards, the Sonos Sounder has universal acceptance.

Deep base units have weatherproof protection to IP65 and can be used in all locations both indoors and outdoors.

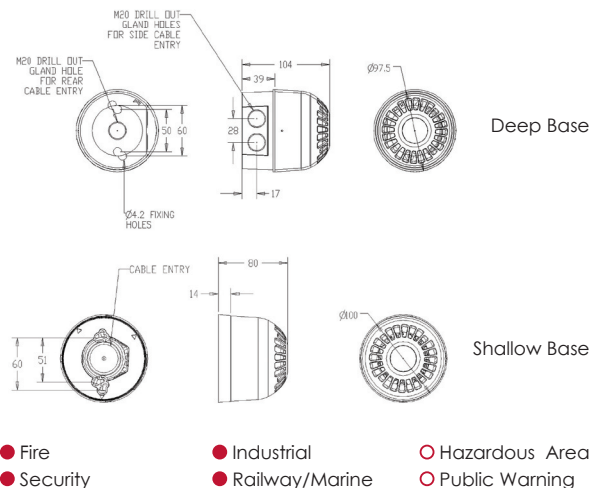
Sonos Sounder units are available in either red or white and with a choice of deep or shallow TimeSaver base.

Features

- Wide voltage range
- Simple 'First Fix' installation
- 32 tones
- Tone and volume can be preset or adjusted off-base
- Weatherproof to IP65 (deep base units)
- Synchronised alarm tones
- Volume control - 20dB



Applications - Fire; security; industrial alarm



Specifications

Combined Part No.	Base Part No.	Head Part No.	Colours	Audibility at 1m	Tones	Voltage *	Current (tone dependent)
PSS-0003	PSO-0001 shallow base	PSS-0084	Red	Up to 106dB (A)	32	9-60V DC	4-41mA
PSS-0039	PSO-0006 shallow base	PSS-0089	White	Up to 106dB (A)	32	9-60V DC	4-41mA
PSS-0020	PSO-0003 deep base	PSS-0084	Red	Up to 106dB (A)	32	9-60V DC	4-41mA
PSS-0050	PSO-0007 deep base	PSS-0089	White	Up to 106dB (A)	32	9-60V DC	4-41mA

*EN54 compliant at 17-60V

IP Rating: IP65 (deep base) IP21 (shallow base) **Rating:** Continuous **Frequency:** 400-2850Hz **Operating Temp:** -25°C to +70°C
Construction: Flame Retardant Polycarbonate **Cable Entries:** Deep Base: 2 x 20mm cable glands
Weight: 0.22kg (shallow base) 0.25kg (deep base) **Compliance:** EN54 3 Type A (shallow base) EN54 3 Type B (deep base)

X-ON Electronics

Largest Supplier of Electrical and Electronic Components

Click to view similar products for [Audio Indicators & Alerts](#) category:

Click to view products by [KLAXON SIGNALS](#) manufacturer:

Other Similar products are found below :

[M2BJ-BH24E](#) [6-4](#) [68S1240-PA](#) [MBA-624](#) [F/BC 40P-DR LF](#) [FDG111PLF](#) [F/NRMB 24 BLACK LF](#) [PF-35N29WQ](#) [PFD-27A35PQ](#) [PL-27A35PSQ](#) [PS-531Q](#) [AB2020B-2-LW1](#) [EBPT-401](#) [PB06SD12AP](#) [PB-1220PEQ](#) [S6109](#) [SC2036ACP](#) [SC616N-2](#) [SC628FW](#) [SC628MPG](#) [SC648D](#) [SCS045MD9DT3S](#) [AB2025B-LW50-R](#) [ESZ-25B-5-250B](#) [F/BC 35-DR LF](#) [FCM12PLF](#) [F/EB20P-DR LF](#) [F/HU110MP24V-IP67B LF](#) [AI-2835-TF-LW150-2-R](#) [AI-4228-TF-LW305-R](#) [FSMD8585JSLF](#) [FSS-26T](#) [F/SU 21-02 LF](#) [F/TCW 05 WITH LABEL LF](#) [F/UCW 03 WITH LABEL LF](#) [F/UCW 06 WITH LABEL LF](#) [PKM22EPPH40S1-B0](#) [PKM35-4A0](#) [PL-35N29WQ](#) [PLD-27A35PQ](#) [PS-552Q](#) [CM-5](#) [M2BJ-BH24E-D](#) [REF-202](#) [LSC628ANR](#) [5-100](#) [PAL-328](#) [03-810.001](#) [RTO-1R07-001](#) [PL-21N31PQ](#) [PF-27A25PSQ](#)