

Sonos Sounder (AC)

A general purpose AC electronic sounder for fire, security and industrial applications.

With a choice of 32 tones including all the major European standards, Sonos is suitable for use across Europe.

Sonos AC sounders are weatherproof to IP65 and can be used in all locations both indoors and outdoors.

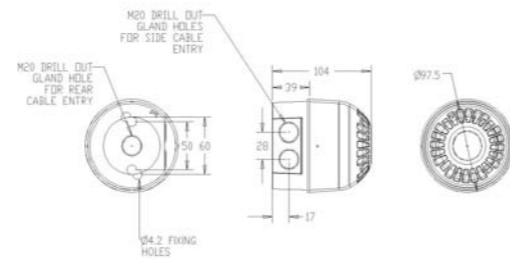
Sonos sounder units are available in either red or white.

Features

- Dual Voltage 110V AC or 230V AC
- Up to 106 dB (A) @ 1 metre
- Simple 'First Fix' installation
- Weatherproof to IP65
- Synchronised alarm tones
- Volume control - 20dB



Applications - Fire; security; industrial alarm



- Fire
- Industrial
- Hazardous Area
- Security
- Railway/Marine
- Public Warning

Specifications

Part No.	Base	Colours	Audibility at 1m	Tones	Voltage	Current (tone dependent)
18-980480	deep base	Red	Up to 102dB (A)	32	110/230V AC	50mA
18-980481	deep base	White	Up to 102dB (A)	32	110/230V AC	50mA

IP Rating: IP65 Rating: Continuous Frequency: See tone table Operating Temp: -25°C to +55°C
 Construction: Flame Retardant Polycarbonate Cable Entries: 2 x 20mm cable glands
 Weight: 250g Compliance: EN60950

Nexus Sounder (DC)

The Nexus sounder is designed for fire and industrial applications.

Connections are made to the base during the initial wiring phase which results in faster and more reliable installation. In addition, the head is fixed by quarter turn fasteners enabling faster installation and accurate seal compression for weatherproofing.

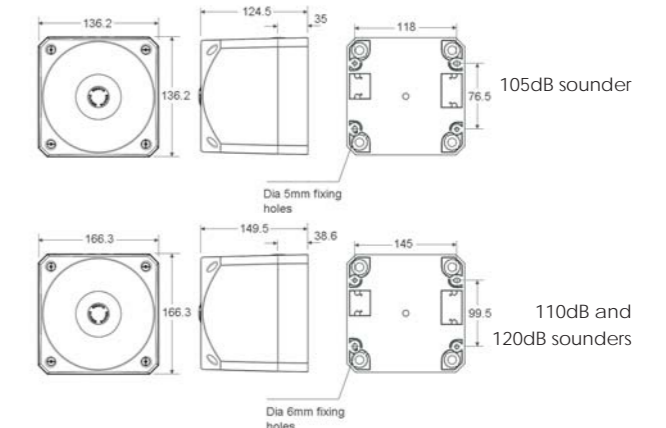
IP66 as standard means that Nexus can be installed in almost any location.

Features

- 105dB, 110dB and 120dB sound output variants
- Three alarm stages
- First-fix, wire to base technology
- IP66 rated
- Volume control for greater flexibility - 20dB
- 64 tones



Applications - Fire alarm; conveyors; process control alarm; cranes; moving machinery; general signalling; marine



- Fire
- Industrial
- Hazardous Area
- Security
- Railway/Marine
- Public Warning

Specifications

Part No.	Colours	Audibility at 1m	Tones	Voltage	Current (tone dependent)
18-980542	Red	Up to 105dB (A)	64	10-60V DC	8-40mA
18-980554	Red	Up to 110dB (A)	64	10-60V DC	10-50mA
18-980545	Red	Up to 120dB (A)	64	10-60V DC	120-550mA

IP Rating: IP66 Rating: Continuous Frequency: See Tone Table Operating Temp: -25°C to +70°C
 Cable Entries: 5 Weight: 105dB Sounder - 0.7kg; 110dB Sounder - 1.1Kg; 120dB Sounder - 1.8Kg Compliance: EN54-3 TYPE B

X-ON Electronics

Largest Supplier of Electrical and Electronic Components

Click to view similar products for [Audio Indicators & Alerts](#) category:

Click to view products by [KLAXON SIGNALS](#) manufacturer:

Other Similar products are found below :

[M2BJ-BH24E](#) [6-4](#) [68S1240-PA](#) [MBA-624](#) [F/BC 40P-DR LF](#) [FDG111PLF](#) [F/NRMB 24 BLACK LF](#) [PF-35N29WQ](#) [PFD-27A35PQ](#) [PL-27A35PSQ](#) [PS-531Q](#) [AB2020B-2-LW1](#) [EBPT-401](#) [PB06SD12AP](#) [PB-1220PEQ](#) [S6109](#) [SC2036ACP](#) [SC616N-2](#) [SC628FW](#) [SC628MPG](#) [SC648D](#) [SCS045MD9DT3S](#) [AB2025B-LW50-R](#) [ESZ-25B-5-250B](#) [F/BC 35-DR LF](#) [FCM12PLF](#) [F/EB20P-DR LF](#) [F/HU110MP24V-IP67B LF](#) [AI-2835-TF-LW150-2-R](#) [AI-4228-TF-LW305-R](#) [FSMD8585JSLF](#) [FSS-26T](#) [F/SU 21-02 LF](#) [F/TCW 05 WITH LABEL LF](#) [F/UCW 03 WITH LABEL LF](#) [F/UCW 06 WITH LABEL LF](#) [PKM22EPPH40S1-B0](#) [PKM35-4A0](#) [PL-35N29WQ](#) [PLD-27A35PQ](#) [PS-552Q](#) [CM-5](#) [M2BJ-BH24E-D](#) [REF-202](#) [LSC628ANR](#) [5-100](#) [PAL-328](#) [03-810.001](#) [RTO-1R07-001](#) [PL-21N31PQ](#) [PF-27A25PSQ](#)