

Nexus 105 Sounder Beacon (AC)

The Nexus 105 is a high output sounder-beacon designed for industrial applications.

Connections are made to the base during the initial wiring phase which results in faster and more reliable installation. In addition, the head is fixed by quarter turn fasteners enabling faster installation and accurate seal compression for weatherproofing.

The combination of powerful sounder and high output xenon beacon ensures a very effective audio-visual signal.

110dB and 120dB units, as well as DC variants, are also available.

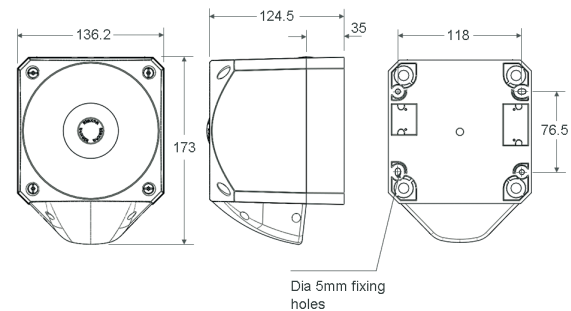
Features

- High sound output: 113dB (max); 105dB typical
- 5J xenon beacon
- Quarter turn fasteners for ease of installation
- First-fix, wire to base technology
- IP66 rated
- Volume control for greater flexibility - 20dB
- 64 tones
- Separate connections for sounder & beacon

Lens Colour Options



Applications - Conveyors; process control alarm; cranes; moving machinery; general signalling; marine



Specifications

Part No.	Lens Colour	Beacon Type	Audibility at 1m	Tones	Voltage	Sounder Current	Beacon Current
PNC-0005	Red lens	5J xenon beacon	Up to 113dB (A)	64	110/230V AC	40mA (max)	70mA
PNC-0007	Amber lens	5J xenon beacon	Up to 113dB (A)	64	110/230V AC	40mA (max)	70mA
PNC-0019	Clear lens	5J xenon beacon	Up to 113dB (A)	64	110/230V AC	40mA (max)	70mA
PNC-0044	Blue lens	5J xenon beacon	Up to 113dB (A)	64	110/230V AC	40mA (max)	70mA
PNC-0042	Green lens	5J xenon beacon	Up to 113dB (A)	64	110/230V AC	40mA (max)	70mA

IP Rating: IP66 Operating Temp: -25°C to +55°C Cable Entries: 5 Weight: 0.8kg

X-ON Electronics

Largest Supplier of Electrical and Electronic Components

Click to view similar products for [Audio Indicators & Alerts](#) category:

Click to view products by [KLAXON SIGNALS](#) manufacturer:

Other Similar products are found below :

[M2BJ-BH24E](#) [6-4](#) [68S1240-PA](#) [MBA-624](#) [F/BC 40P-DR LF](#) [FDG111PLF](#) [F/NRMB 24 BLACK LF](#) [PF-35N29WQ](#) [PFD-27A35PQ](#) [PL-27A35PSQ](#) [PS-531Q](#) [AB2020B-2-LW1](#) [EBPT-401](#) [PB06SD12AP](#) [PB-1220PEQ](#) [S6109](#) [SC2036ACP](#) [SC616N-2](#) [SC628FW](#) [SC628MPG](#) [SC648D](#) [SCS045MD9DT3S](#) [AB2025B-LW50-R](#) [ESZ-25B-5-250B](#) [F/BC 35-DR LF](#) [FCM12PLF](#) [F/EB20P-DR LF](#) [F/HU110MP24V-IP67B LF](#) [AI-2835-TF-LW150-2-R](#) [AI-4228-TF-LW305-R](#) [FSMD8585JSLF](#) [FSS-26T](#) [F/SU 21-02 LF](#) [F/TCW 05 WITH LABEL LF](#) [F/UCW 03 WITH LABEL LF](#) [F/UCW 06 WITH LABEL LF](#) [PKM22EPPH40S1-B0](#) [PKM35-4A0](#) [PL-35N29WQ](#) [PLD-27A35PQ](#) [PS-552Q](#) [CM-5](#) [M2BJ-BH24E-D](#) [REF-202](#) [LSC628ANR](#) [5-100](#) [PAL-328](#) [03-810.001](#) [RTO-1R07-001](#) [PL-21N31PQ](#) [PF-27A25PSQ](#)