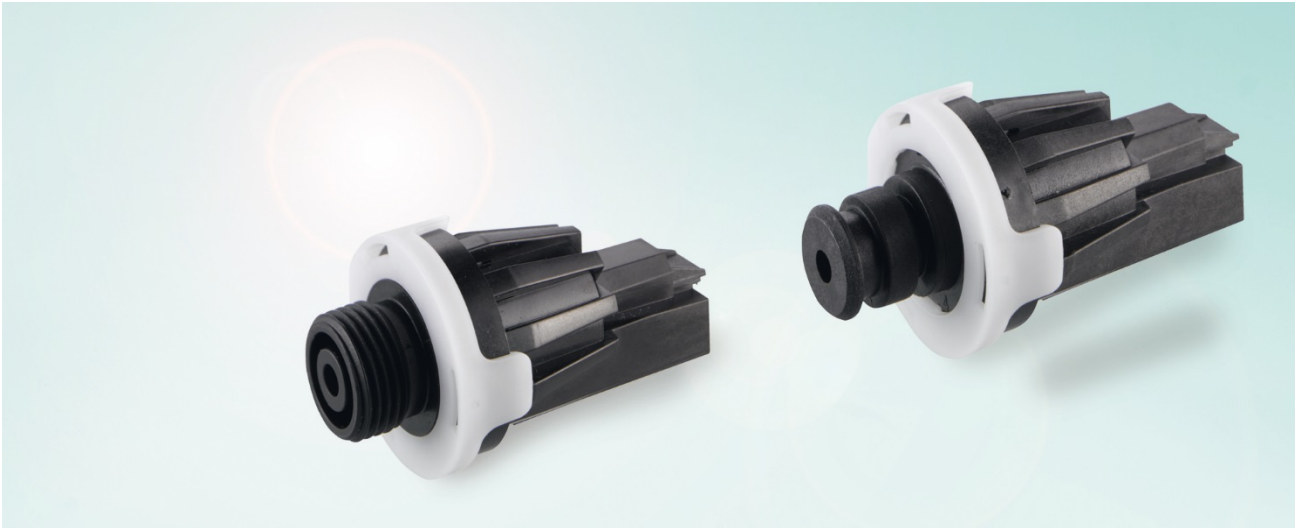




SERIES 2066.31XX – PRESSURE SENSOR MEGAPASCAL

LIQUID AND GAS PRESSURE MEASURING



ADVANTAGE

High endurance

Suitable for high pressure load

Approved for drinking water

High quality

Numerous versions

PRODUCT FEATURES

- More than 100,000 pressure change cycles in a pressure range to 10 bar, useful life of more than 15 years
- Withstands high overload and burst pressure and freezing of the measured medium
- Materials with direct medium contact are certified e.g. according to KTW, WRAS, ACS, FDA etc.
- Fully automatic 100 % final test and calibration
- Different versions available (measuring range, output signal, supply voltage, mechanical and electrical connection)

EXAMPLES OF APPLICATION

- HVAC technology
- Drinking water
- Sanitary processes
- Heat pumps
- Solar water heating systems
- Regulated pumps and valves
- Level measuring

Medium	Air, water, heated water
Measuring range	0-10 bar / 0-145 psi / 0-1 MPa
Maximum pressure	26 bar / 377 psi / 2,6 MPa (15 min.)
Burst pressure	> 42 bar / 609 psi / 4.2 MPa
Characteristic /Tolerance* at 5.00 V (ratiometric)	$U_{\min} [V] = 0.276 [V/\text{bar}] \times p [\text{bar}] + 0.375 [V]$ $U_{\text{nom}} [V] = 0.300 [V/\text{bar}] \times p [\text{bar}] + 0.500 [V]$ $U_{\max} [V] = 0.324 [V/\text{bar}] \times p [\text{bar}] + 0.625 [V]$ (0.356 [V/bar] x p [bar] + 0.625 [V] after life endurance test)
→ Lower tolerance limit	
→ Ideal characteristic	
→ Upper tolerance limit	
Flange material	Grivory (KTW, WRAS, FDA, ACS, NSF61+51 certified)
Membrane material	EPDM (FDA, ACS, 3A Sanitary certified)
Life endurance (mechanical/electrical)	100,000 pressure cycles (10 bar)
Medium temperature (water)	+2 °C ... +90 °C
Ambient temperature	-10 °C ... +70 °C
Storage temperature	-40 °C ... +90 °C
Supply voltage	5 V DC (ratiometric)
Maximum power consumption	< 14 mA (12 mA typ.)
Maximum output load	1 kOhm / 1 nF
Terminal*	Rast 2.5 / 3-pole



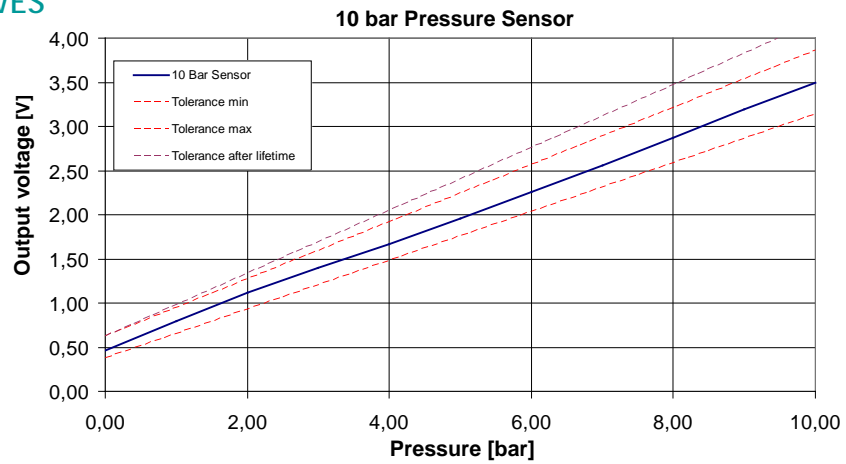
SERIES 2066.31XX – PRESSURE SENSOR MEGAPASCAL

LIQUID AND GAS PRESSURE MEASURING

VARIANTS

Part number	Supply voltage	Electrical connection	Mechanical connection output signal
2066.3101	5 V DC ± 0.25 V	Rast 2.5 / 3-pole	Screw flange / external thread G 3/8" $U_{nom} [V] = 0.300 [V/bar] \times p [bar] + 0.500 [V]$
2066.3102	5 V DC ± 0.25 V	Rast 2.5 / 3-pole	Plug-on flange $U_{nom} [V] = 0.300 [V/bar] \times p [bar] + 0.500 [V]$

CHARACTERISTIC CURVES



PRODUCT IMAGES



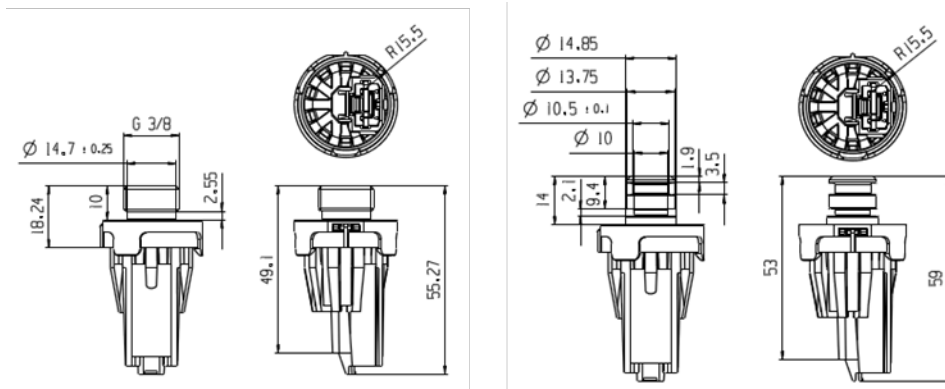
2066.3101



2066.3102

DRAWINGS

(Dimensions in mm)



2066.3101

2066.3102



X-ON Electronics

Largest Supplier of Electrical and Electronic Components

Click to view similar products for [Other Tools](#) category:

Click to view products by [Marquardt](#) manufacturer:

Other Similar products are found below :

[CR-05FL7--150R](#) [CR-05FL7--698K](#) [899-2-KT46](#) [899-5-KT46](#) [CR-0AFL4--332K](#) [CR-12FP4--260R](#) [CRCW04021961FRT7](#) [5800-0090](#)
[CRCW0603102JRT5](#) [59065-5](#) [00-8273-RDPP](#) [00-8729-WHPP](#) [593033](#) [593058](#) [593072](#) [593564100](#) [593575](#) [593591](#) [593593](#) [011349-000](#)
[LTI506SBLAMNBL](#) [LUC-012S070DSM](#) [LUC-018S070DSP](#) [599-2021-3-NME](#) [599-JJ-2021-03](#) [00-5080-YWPP](#) [5E4750/01-20R0-T/R](#)
[LW1A-L1-GL](#) [LW1A-P1-GD](#) [LW1L-A1C10V-GL](#) [LW1L-M1C70-A](#) [0202-0173](#) [00-9089-RDPP](#) [00-9300-RDPP](#) [01-1003W-8/32-10](#) [601-](#)
[GP-08-KT39](#) [601-JJ-06](#) [601-SPB](#) [601YSY](#) [602-JJ-03](#) [602SPB](#) [602Z](#) [603-JJ-07-FP](#) [603-JJY-04](#) [604J](#) [604-JJ-05](#) [CRTN1013](#) [CS16](#) [6-](#)
[1579014-0](#) [CSB2](#)