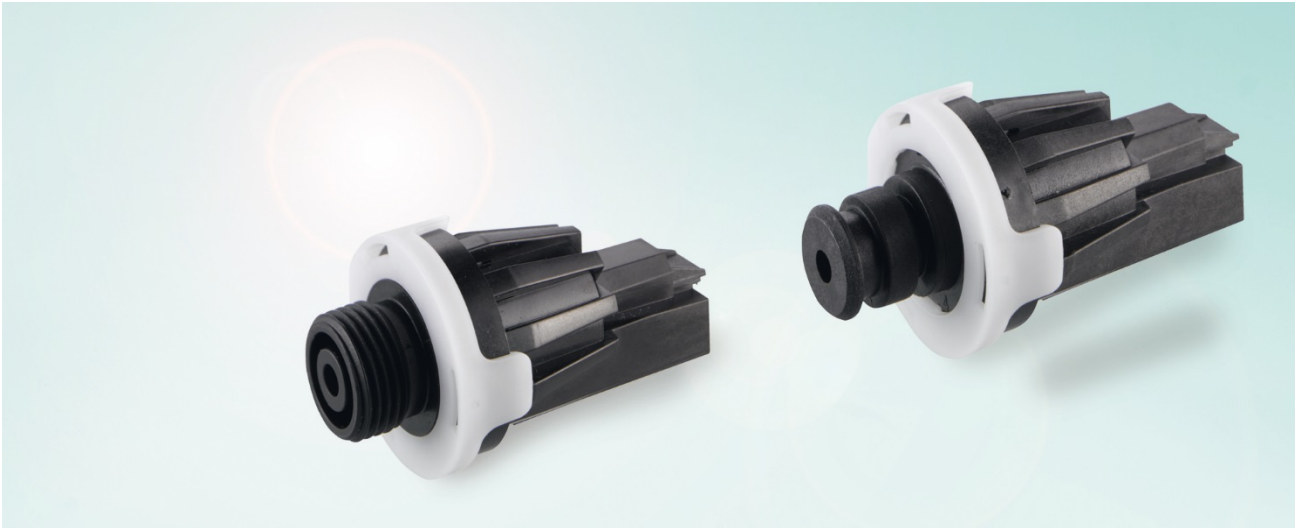




# SERIES 2066.31XX – PRESSURE SENSOR MEGAPASCAL

LIQUID AND GAS PRESSURE MEASURING



## ADVANTAGE

**High endurance**

**Suitable for high pressure load**

**Approved for drinking water**

**High quality**

**Numerous versions**

## PRODUCT FEATURES

- More than 100,000 pressure change cycles in a pressure range to 10 bar, useful life of more than 15 years
- Withstands high overload and burst pressure and freezing of the measured medium
- Materials with direct medium contact are certified e.g. according to KTW, WRAS, ACS, FDA etc.
- Fully automatic 100 % final test and calibration
- Different versions available (measuring range, output signal, supply voltage, mechanical and electrical connection)

## EXAMPLES OF APPLICATION

- HVAC technology
- Drinking water
- Sanitary processes
- Heat pumps
- Solar water heating systems
- Regulated pumps and valves
- Level measuring

|   |   |
|---|---|
| Medium  | Air, water, heated water  |
| Measuring range                                       | 0-10 bar / 0-145 psi / 0-1 MPa  |
| Maximum pressure                                      | 26 bar / 377 psi / 2,6 MPa (15 min.)  |
| Burst pressure  | > 42 bar / 609 psi / 4.2 MPa  |
| Characteristic /Tolerance*<br>at 5.00 V (ratiometric) | $U_{\min} [V] = 0.276 [V/\text{bar}] \times p [\text{bar}] + 0.375 [V]$<br>$U_{\text{nom}} [V] = 0.300 [V/\text{bar}] \times p [\text{bar}] + 0.500 [V]$<br>$U_{\max} [V] = 0.324 [V/\text{bar}] \times p [\text{bar}] + 0.625 [V]$<br>(0.356 [V/bar] x p [bar] + 0.625 [V]<br>after life endurance test) |
| → Lower tolerance limit                               |   |
| → Ideal characteristic                                |   |
| → Upper tolerance limit                               |   |
| Flange material                                       | Grivory (KTW, WRAS, FDA, ACS, NSF61+51 certified)   |
| Membrane material                                     | EPDM (FDA, ACS, 3A Sanitary certified)  |
| Life endurance (mechanical/electrical)                | 100,000 pressure cycles (10 bar)  |
| Medium temperature (water)                            | +2 °C ... +90 °C  |
| Ambient temperature                                   | -10 °C ... +70 °C   |
| Storage temperature                                   | -40 °C ... +90 °C   |
| Supply voltage  | 5 V DC (ratiometric)  |
| Maximum power consumption                             | < 14 mA (12 mA typ.)  |
| Maximum output load                                   | 1 kOhm / 1 nF   |
| Terminal*   | Rast 2.5 / 3-pole   |



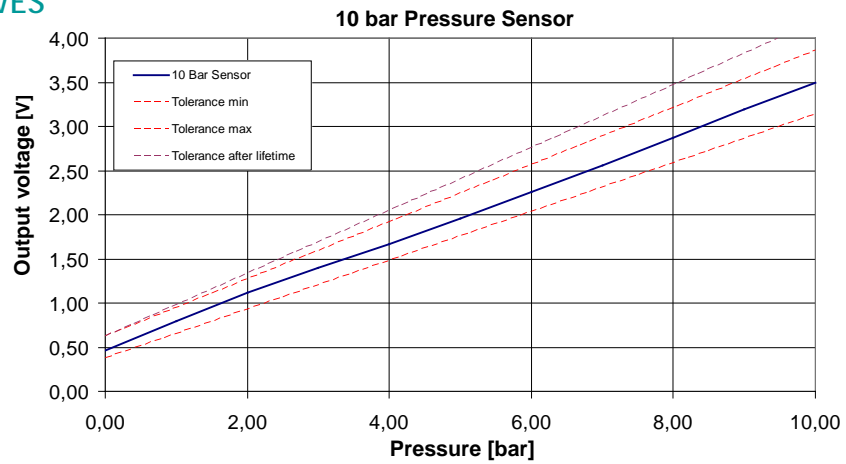
# SERIES 2066.31XX – PRESSURE SENSOR MEGAPASCAL

LIQUID AND GAS PRESSURE MEASURING

## VARIANTS

| Part number | Supply voltage  | Electrical connection | Mechanical connection output signal   |
|-------------|-----------------|-----------------------|---|
| 2066.3101   | 5 V DC ± 0.25 V | Rast 2.5 / 3-pole     | Screw flange / external thread G 3/8"<br>$U_{nom} [V] = 0.300 [V/bar] \times p [bar] + 0.500 [V]$ |
| 2066.3102   | 5 V DC ± 0.25 V | Rast 2.5 / 3-pole     | Plug-on flange<br>$U_{nom} [V] = 0.300 [V/bar] \times p [bar] + 0.500 [V]$                        |

## CHARACTERISTIC CURVES



## PRODUCT IMAGES



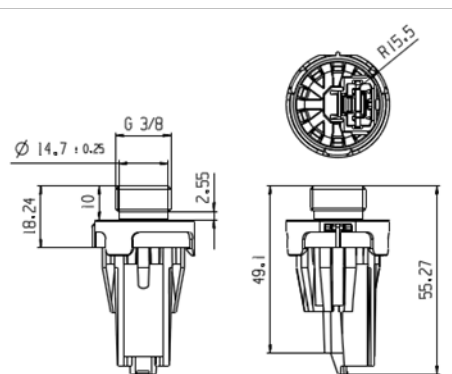
2066.3101



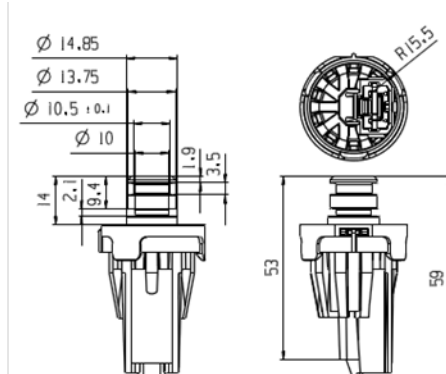
2066.3102

## DRAWINGS

(Dimensions in mm)



2066.3101



2066.3102



## X-ON Electronics

Largest Supplier of Electrical and Electronic Components

*Click to view similar products for [Speakers & Transducers](#) category:*

*Click to view products by [Marquardt](#) manufacturer:*

Other Similar products are found below :

[AS02016MR-2-R](#) [PB-1220PE](#) [PB-2015PQ](#) [900-00001](#) [SMT-2240-TW-2-R](#) [SWFK-31736-000](#) [PT-2065FW](#) [PT-4175W](#) [AT-2830-TW-LW35-R](#) [ED-30761-000](#) [ED-31305-163](#) [CI-30120-A42](#) [TWFK-23991-000](#) [PB-0927PQ](#) [BF-7083-000](#) [AB6505B](#) [BF-9778-000](#) [AS01708MR-SC-2-R](#) [AT-5030-TF-2-LW100-R](#) [AST-03008MR-R](#) [AS04008PS-4W-R](#) [AS01308MR-2-R](#) [AS01808AO-WP-R](#) [AS01508MR-6-R](#) [AS04008PO-2-R](#) [AS07104PO-R](#) [SMS2020-08H4.5 LF](#) [BDT1717-08H6.5W56MLF](#) [AS04508MR-3-R](#) [SMS-2008MS-R](#) [AS04008PS-4W-WR-R](#) [AS06608PS-WR-R](#) [BLS50-1-08H18.2B-03 LF](#) [AS07008PO-2-R](#) [AS03008MR-R](#) [AS01808AO-3-R](#) [AS04008CO-2-R](#) [AS04008PR-WR-R](#) [ASE03008MR-LW150-R](#) [APS4812B-LW100-R](#) [AS01808MR-LW152-R](#) [AS01808MR-R](#) [AS03608MR-4-R](#) [AS06608PS-R](#) [AS07708PS-2-R](#) [AS07108PO-3-R](#) [ASE06008MR-LW150-R](#) [ASE02008MR-LW150-R](#) [AST-1732MR-R](#) [SMS-1508MS-2-R](#)