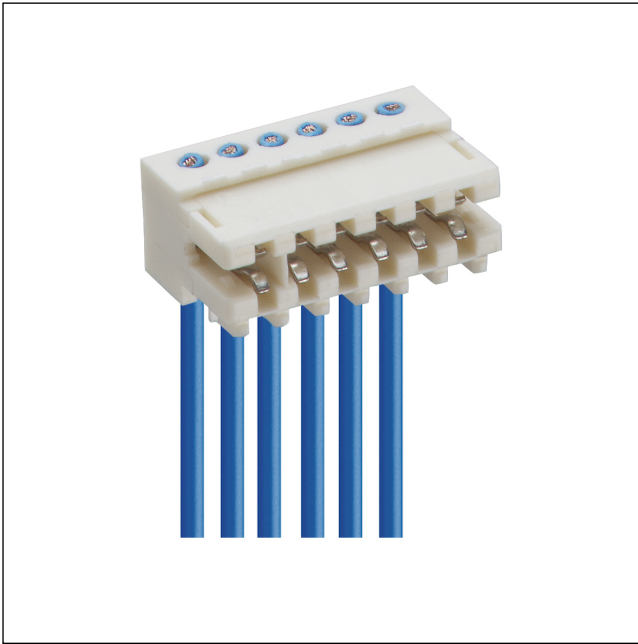


35

3517

RAST 2.5 connectors, pitch 2.5/5.0 mm



RAST 2.5 connector for direct mating, insulation displacement technology (IDT), with locking on printed circuit board by means of locking toes, alternatively with or without keying rib and closed sides, for individual conductors
contact pitch 2.5 mm

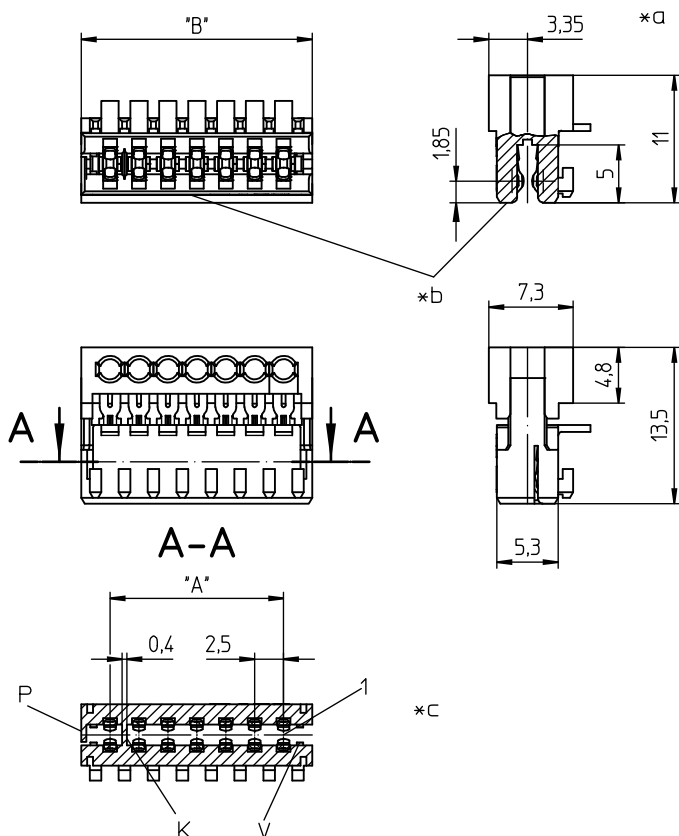
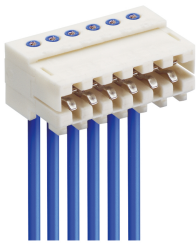
Approvals:



35

3517

keying example with closed sides



Environmental conditions

Temperature range -40 °C/+130 °C¹

¹ upper limit temperature (insulating body) RTI (electrical) of the UL Yellow Card


Materials

Insulating body PBT, V-0 according to UL94 – 3517 (S...V...)
PA, V-2 according to UL94 – 3517 M12(S...V...)¹

Contact spring CuSn, tin-plated – 3517 (M...S...)
CuSn, tin-plated (Sn/Ag), 2-9 poles – 3517 (M...S...)/V03
CuSn, pre-nickel and gold-plated – 3517 (M...S...)/V102

¹ M12: component glow wire resistant (GWT 750 °C), testing acc. to IEC 60695-2-11, assessment acc. to IEC 60335-1 (flame < 2 s)


Mechanical data

Mating with printed circuit board 1.5 ± 0.14 mm
Insertion force/contact ≤ 4,0 N¹
Withdrawal force/contact ≥ 0,5 N¹
Retaining force/locking ≥ 6,0 N²
Keying proposals at www.lumberg.com 

¹ measured with a polished steel pin, nominal thickness 1.5 mm

² measured with a polished steel gauge, nominal thickness 1.5 mm

Connectable conductors for IDT area

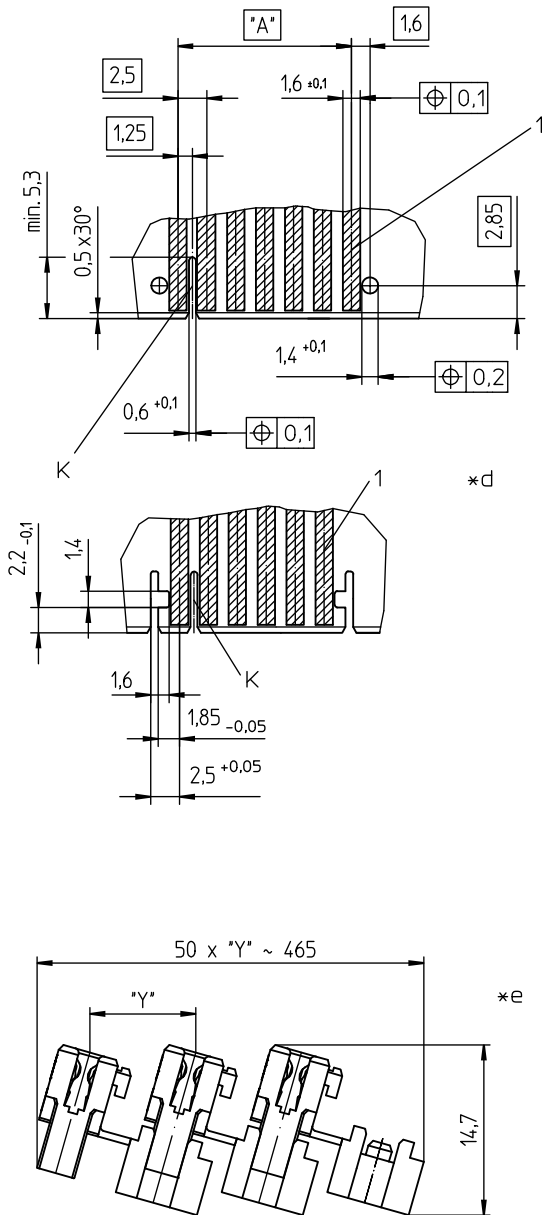
Construction discrete conductor, notched flat cable 2.5 mm
Section min. 0,14 mm²
Section max. 0,38 mm²
Insulation diameter ≤ 1,6 mm
Approved cables at www.lumberg.com 

Electrical data (at T_{amb} 20 °C)

Contact resistance ≤ 5 mΩ
Rated current 4 A (T_u 60 °C)
2 A (T_u 100 °C)
Rated voltage 32 V AC
Material group IIIa (IEC)/2 (UL) (CTI ≥ 250)
Creepage distance 0,6 mm
Clearance 0,6 mm
Insulation resistance > 1 GΩ

35

3517



Associated products

Harnessing equipment

| | | |
|----------------|-------------------|----------|
| ☒ HA3...e | ☒ HA35-CA | ☒ HA35e |
| ☒ HA35e-CA | ☒ HA35e-RK | ☒ HZ-M35 |
| ☒ HZ35 | ☒ HZ35-K | ☒ KHP35 |
| ☒ VARICON 7000 | ☒ VARICON 7000-RD | |

- *a terminated connector
- *b color marking:
3517 (M...)S01 blue
3517 (M...)S02 green
3517 (M...)S03 brown
- *c K = keying (alternatively)
P1, P2 = positioning (alternatively)
V = lock
- *d examples for printed circuit board layouts
- *e chaining of the component parts (state of delivery)

| Designation | Pole Number | PU (Pieces) | MDQ (Pieces) | Dimensions | |
|-------------|-------------|-------------|--------------|------------|--------|
| | | | | A (mm) | B (mm) |
| 3517 02 | 2 | 4950 | 4950 | 2.5 | 7.4 |
| 3517 03 | 3 | 3600 | 3600 | 5.0 | 9.9 |
| 3517 04 | 4 | 2700 | 2700 | 7.5 | 12.4 |
| 3517 05 | 5 | 2250 | 2250 | 10.0 | 14.9 |
| 3517 06 | 6 | 1800 | 3600 | 12.5 | 17.4 |
| 3517 07 | 7 | 1800 | 3600 | 15.0 | 19.9 |
| 3517 08 | 8 | 1350 | 2700 | 17.5 | 22.4 |
| 3517 09 | 9 | 1350 | 2700 | 20.0 | 24.9 |
| 3517 10 | 10 | 1350 | 2700 | 22.5 | 27.4 |
| 3517 11 | 11 | 900 | 2700 | 25.0 | 29.9 |
| 3517 12 | 12 | 900 | 2700 | 27.5 | 32.4 |
| 3517 13 | 13 | 900 | 2700 | 30.0 | 34.9 |
| 3517 14 | 14 | 900 | 2700 | 32.5 | 37.4 |
| 3517 15 | 15 | 900 | 2700 | 35.0 | 39.9 |
| 3517 16 | 16 | 450 | 2700 | 37.5 | 42.4 |
| 3517 17 | 17 | 450 | 2700 | 40.0 | 44.9 |
| 3517 18 | 18 | 450 | 2700 | 42.5 | 47.4 |
| 3517 19 | 19 | 450 | 2700 | 45.0 | 49.9 |
| 3517 20 | 20 | 450 | 2700 | 47.5 | 52.4 |

Designation to be completed by further details (e.g. for keying, color or material options).

Packaging:

chained, in a cardboard box

X-ON Electronics

Largest Supplier of Electrical and Electronic Components

Click to view similar products for [Unspecified Connectors](#) category:

Click to view products by [Lumberg](#) manufacturer:

Other Similar products are found below :

[1-21107-1](#) [RAD-OUT-8D-REL](#) [RF-17S1N8A80DU](#) [2-21053-5](#) [PSC-28-1](#) [38111](#) [403000A10M050](#) [1-1589688-1](#) [QUINT-PS/1AC/48DC/10](#)
[99 9113 02 05](#) [578302](#) [578286](#) [130623](#) [186316](#) [153253](#) [186328](#) [153276](#) [153341](#) [153322](#) [153354](#) [193951](#) [130642](#) [1713941](#) [HC-DD72-I-](#)
[CT-F](#) [VC-AR1/2M-S88-SET](#) [RC-5AS2000](#) [RC-Z2068](#) [VC-TR5/6M](#) [RAD-900-CONF-RF1](#) [RAD-CON-SMA-N-SS](#) [RAD-ISM-900-ANT-](#)
[OMNI-0-6](#) [RAD-PIG-EF316-N-RSMA](#) [KST-POF](#) [RIF-0-RPT-12DC/21](#) [RIF-1-BPT/2X21](#) [RIF-1-RPT-LV-120AC/2X21AU](#) [RIF-RH-1](#) [PV-](#)
[FT-C2F-HSG](#) [HC-EVO-B06-HHFS-2B-PL-BK](#) [99 0210 00 04](#) [801377](#) [803579](#) [710-00007](#) [122.005-6](#) [122.012-10](#) [122.018-10](#) [122.038-6](#)
[125.038-8](#) [135.016](#) [136.0804](#)