

PARATHOM MR16

Low-voltage LED reflector lamps MR16 with retrofit pin base



Areas of application

- Shops
- Hospitality
- Museums, art galleries
- Residential interiors
- As a downlight for marking walkways, doors, stairs, etc.
- Spotlighting for accents
- Display cabinets and shop windows
- Spotlighting heat-sensitive objects such as food, plants, etc.
- Outdoor applications only in suitable luminaires

Product benefits

- Long lifetime of up to 15,000 h
- Low energy consumption
- Easy replacement of halogen lamps due to compact full glass design and single optic
- Instant 100 % light, no warm-up time
- Ideal for economical spotlighting

Product features

- Professional LED alternative to low voltage halogen lamps
- Made in Germany (versions up to 35 W)
- Mercury-free lamps



Product family datasheet

Technical data

Product description	Electrical data		Photometrical data	
	Nominal wattage	Nominal voltage	Luminous intensity	Nominal luminous flux
PARATHOM MR16 20 36° 2.8 W/827 GU5.3 ¹⁾	2,80 W	12 V	600 cd	230 lm
PARATHOM MR16 35 36° 4.5 W/827 GU5.3 ¹⁾				
P MR16 20 36° 2.9 W/827 GU5.3 ¹⁾	2,90 W	12.0 V	600 cd	230 lm
P MR16 20 36° 2.9 W/840 GU5.3 ¹⁾	2,90 W	12.0 V	600 cd	230 lm
P MR16 35 36° 4.6 W/827 GU5.3 ¹⁾	4,60 W	12.0 V	950 cd	350 lm
P MR16 35 36° 4.6 W/830 GU5.3 ¹⁾	4,60 W	12.0 V		350 lm
P MR16 35 36° 4.6 W/840 GU5.3 ¹⁾	4,60 W	12.0 V	950 cd	350 lm
P MR16 50 36° 7.2 W/827 GU5.3 ¹⁾	7,20 W	12 V	1430 cd	621 lm
P MR16 50 36° 7.2 W/830 GU5.3 ¹⁾	7,20 W	12 V	1430 cd	621 lm
P MR16 50 36° 7.2 W/840 GU5.3 ¹⁾	7,20 W	12 V	1430 cd	621 lm

Product description	Light technical data			
	Beam angle	Warm-up time (60 %)	Starting time	Rated beam angle (half peak value)
PARATHOM MR16 20 36° 2.8 W/827 GU5.3 ¹⁾	36 °	0,20 s	0,1 s	36,00 °
PARATHOM MR16 35 36° 4.5 W/827 GU5.3 ¹⁾				
P MR16 20 36° 2.9 W/827 GU5.3 ¹⁾	36 °	< 0,50 s	< 0,5 s	36,00 °
P MR16 20 36° 2.9 W/840 GU5.3 ¹⁾	36 °	< 0,50 s	< 0,5 s	36,00 °
P MR16 35 36° 4.6 W/827 GU5.3 ¹⁾	36 °	< 0,50 s	< 0,5 s	36,00 °
P MR16 35 36° 4.6 W/830 GU5.3 ¹⁾	36 °	< 0,50 s	< 0,5 s	36,00 °
P MR16 35 36° 4.6 W/840 GU5.3 ¹⁾	36 °	< 0,50 s	< 0,5 s	36,00 °
P MR16 50 36° 7.2 W/827 GU5.3 ¹⁾	36 °	1,00 s	0,0 s	36,00 °
P MR16 50 36° 7.2 W/830 GU5.3 ¹⁾	36 °	< 0,50 s	< 0,5 s	36,00 °

Product family datasheet

Product description	Light technical data			
	Beam angle	Warm-up time (60 %)	Starting time	Rated beam angle (half peak value)
P MR16 50 36° 7.2 W/840 GU5.3 ¹⁾	36 °	1,00 s	0,0 s	36,00 °

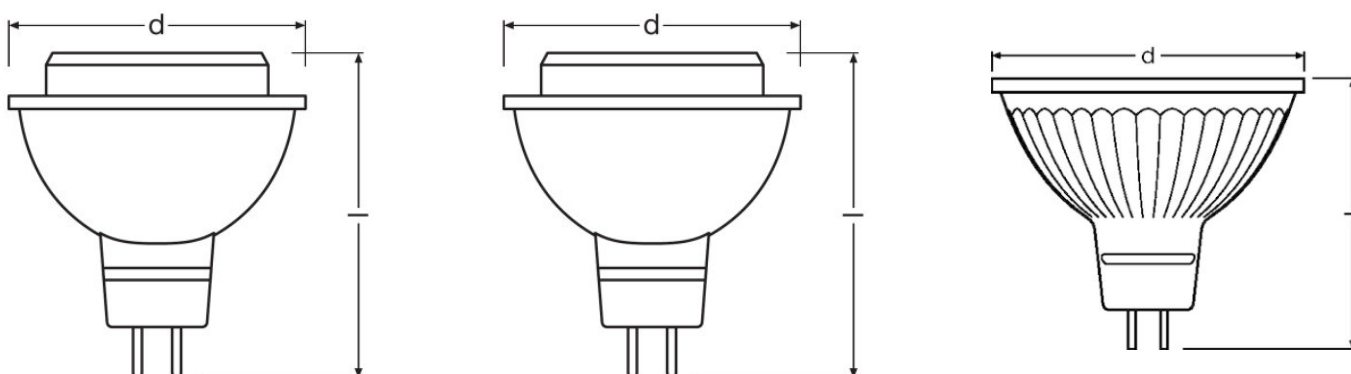
Product description	Lifespan			Additional product data
	Nominal lamp life time	Rated lamp life time	Number of switching cycles	Base (standard designation)
PARATHOM MR16 20 36° 2.8 W/827 GU5.3 ¹⁾	15000 h	15000 h	100000	GU5.3
PARATHOM MR16 35 36° 4.5 W/827 GU5.3 ¹⁾				
P MR16 20 36° 2.9 W/827 GU5.3 ¹⁾	25000 h	25000 h	100000	GU5.3
P MR16 20 36° 2.9 W/840 GU5.3 ¹⁾	25000 h	25000 h	100000	GU5.3
P MR16 35 36° 4.6 W/827 GU5.3 ¹⁾	25000 h	25000 h	100000	GU5.3
P MR16 35 36° 4.6 W/830 GU5.3 ¹⁾	25000 h	25000 h	100000	GU5.3
P MR16 35 36° 4.6 W/840 GU5.3 ¹⁾	25000 h	25000 h	100000	GU5.3
P MR16 50 36° 7.2 W/827 GU5.3 ¹⁾	15000 h	15000 h	100000	GU5.3
P MR16 50 36° 7.2 W/830 GU5.3 ¹⁾	25000 h	25000 h	100000	GU5.3
P MR16 50 36° 7.2 W/840 GU5.3 ¹⁾	15000 h	15000 h	100000	GU5.3

Product description	Energy efficiency class	Country specific categorizations	
		ILCOS	Order reference
PARATHOM MR16 20 36° 2.8 W/827 GU5.3 ¹⁾	A++	DRR-2,8/827-12-GU5.3-50/36	PMR162036 2,8W/
PARATHOM MR16 35 36° 4.5 W/827 GU5.3 ¹⁾			
P MR16 20 36° 2.9 W/827 GU5.3 ¹⁾	A+	DRR-2,9/827-12-GU5,3-50/36	LEDPMR162036 2,
P MR16 20 36° 2.9 W/840 GU5.3 ¹⁾	A+	DRR-2,9/840-12-GU5,3-50/36	LEDPMR162036 2,

Product family datasheet

Product description	Energy efficiency class	Country specific categorizations	
		ILCOS	Order reference
P MR16 35 36° 4.6 W/827 GU5.3 ¹⁾	A+	DRR-4,6/827-12-GU5,3-50/36	LEDPMR163536 4,
P MR16 35 36° 4.6 W/830 GU5.3 ¹⁾	A+		LEDPMR163536 4,
P MR16 35 36° 4.6 W/840 GU5.3 ¹⁾	A+	DRR-4,6/840-12-GU5,3-50/36	LEDPMR163536 4,
P MR16 50 36° 7.2 W/827 GU5.3 ¹⁾	A+	DRR-7,2/827-12-GU5,3-50/36	LPMR165036 7,2W
P MR16 50 36° 7.2 W/830 GU5.3 ¹⁾	A+	DRR-7,2/830-12-GU5,3-50/36	LPMR165036 7,2W
P MR16 50 36° 7.2 W/840 GU5.3 ¹⁾	A+	DRR-7,2/840-12-GU5,3-50/36	LPMR165036 7,2W

¹⁾ All technical parameters apply to the entire lamp/Due to the complex production process for light-emitting diodes, the typical values shown for the technical LED parameters are purely statistical values that do not apply to the entire product, which can vary from the typical value



Product family datasheet

PARATHOM MR16 20 36° 2.8 W/827
GU5.3

PARATHOM MR16 35 36° 4.5 W/827
GU5.3

P MR16 20 36° 2.9 W/827 GU5.3, P
MR16 20 36° 2.9 W/840 GU5.3, P
MR16 35 36° 4.6 W/827 GU5.3, P
MR16 35 36° 4.6 W/830 GU5.3, P
MR16 35 36° 4.6 W/840 GU5.3

Equipment / Accessories

– Equipped with high-power LEDs

Application advice

For more detailed application information and graphics please see product datasheet.

Logistical Data

Product code	Product description	Packaging unit (Pieces/Unit)	Dimensions (length x width x height)
4052899943582	PARATHOM MR16 20 36° 2.8 W/827 GU5.3	Shipping carton box 10	267 mm x 111 mm x 69 mm
4052899943629	PARATHOM MR16 35 36° 4.5 W/827 GU5.3	Shipping carton box 10	267 mm x 111 mm x 69 mm
4052899957749	P MR16 20 36° 2.9 W/827 GU5.3	Shipping carton box 10	257 mm x 110 mm x 70 mm
4052899957732	P MR16 20 36° 2.9 W/840 GU5.3	Shipping carton box 10	257 mm x 110 mm x 70 mm
4052899957770	P MR16 35 36° 4.6 W/827 GU5.3	Shipping carton box 10	257 mm x 110 mm x 70 mm

Product family datasheet

Product code	Product description	Packaging unit (Pieces/Unit)	Dimensions (length x width x height)
4058075815513	P MR16 35 36° 4.6 W/830 GU5.3	Shipping carton box 10	257 mm x 110 mm x 70 mm
4052899957787	P MR16 35 36° 4.6 W/840 GU5.3	Shipping carton box 10	257 mm x 110 mm x 70 mm
4052899957817	P MR16 50 36° 7.2 W/827 GU5.3	Shipping carton box 10	255 mm x 107 mm x 72 mm
4058075815575	P MR16 50 36° 7.2 W/830 GU5.3	Shipping carton box 10	255 mm x 107 mm x 72 mm
4052899957824	P MR16 50 36° 7.2 W/840 GU5.3	Shipping carton box 10	255 mm x 107 mm x 72 mm

The mentioned product code describes the smallest quantity unit which can be ordered. One shipping unit can contain one or more single products. Please enter single or multiples of a shipping unit.

References / Links

For further products and actual information concerning LED lamps see

▶ www.osram.com/ledlamps

For Guarantee see

▶ www.osram.com/guarantee

Further information see

▶ www.osram.com/low-voltage-ledlamps

Disclaimer

Product family datasheet

Subject to change without notice. Errors and omission excepted. Always make sure to use the most recent release.

X-ON Electronics

Largest Supplier of Electrical and Electronic Components

Click to view similar products for [LED Backlighting](#) category:

Click to view products by [Osram](#) manufacturer:

Other Similar products are found below :

[HBL0218](#) [SSB-COB7540GW](#) [SSB-DL6528SRW](#) [3G3DV130B4294](#) [SSB-CEL8040UWW](#) [4052899961654](#) [49131](#) [0025 INT CLASSIC](#)
[GLACIER WHITE](#) [0025 INT NATURAL BLUE](#) [0100 INT CLASSIC GLACIER WHITE](#) [0100 INT EXTREME ORANGE](#) [0100 INT](#)
[NATURAL BLUE](#) [0200 INT EXTREME BLUE GREEN](#) [30531](#) [30586](#) [30588](#) [30589](#) [30590](#) [30637](#) [4052899149281](#) [4052899326453](#)
[44865WFL](#) [JDR20W38 E14](#) [JDR50W38 GU10](#) [KB-2600ID](#) [KB-2855SGW](#) [4052899913615](#) [L-875/4IDT](#) [L-875/4SRDT](#) [44860WFL](#)
[44870WFL](#) [MR16 60ST 20W](#) [MR16 60ST 50W](#) [64465](#) [64695 ECO](#) [64698 ECO](#) [64701 ECO](#) [64702 ECO](#) [64760](#) [30597](#) [SL2CD](#) [SKU 165](#)
[SKU 167](#) [SKU 193](#) [SKU 194](#) [SKU 203](#) [4052899973428](#) [8718696497586](#) [8718696537015](#) [8718696728352](#)