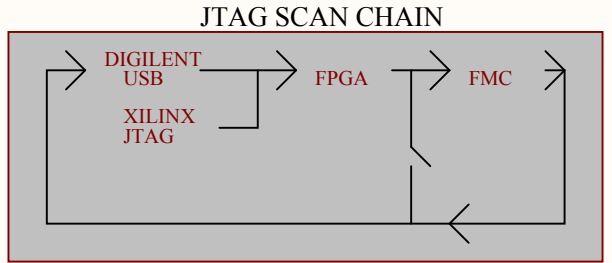
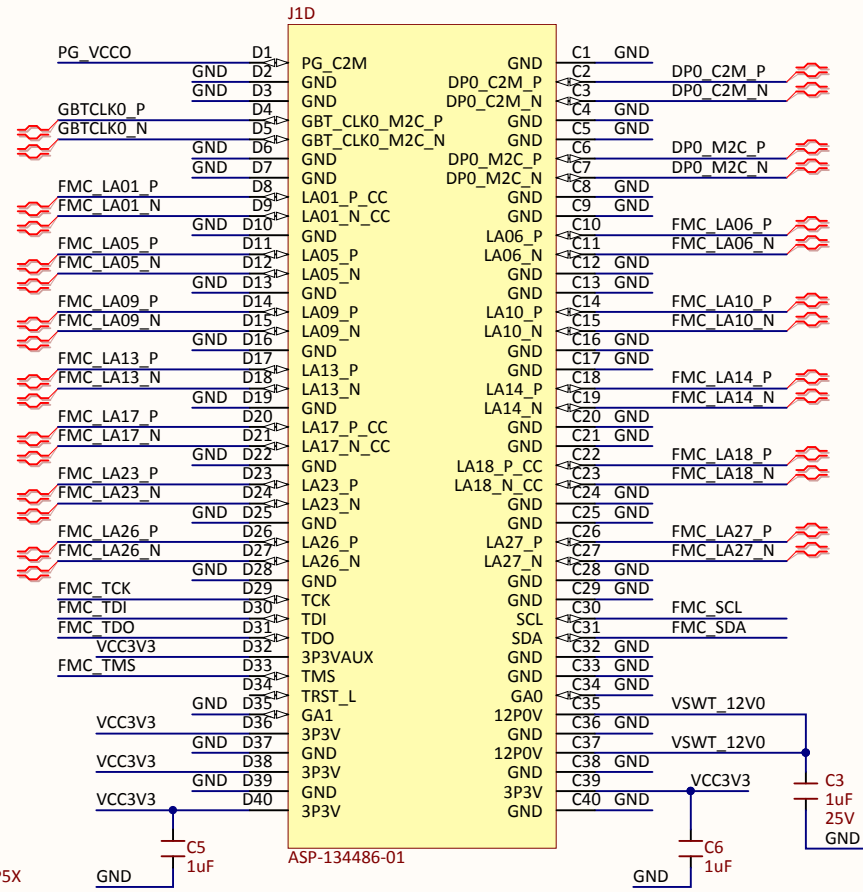
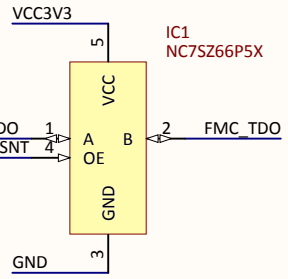
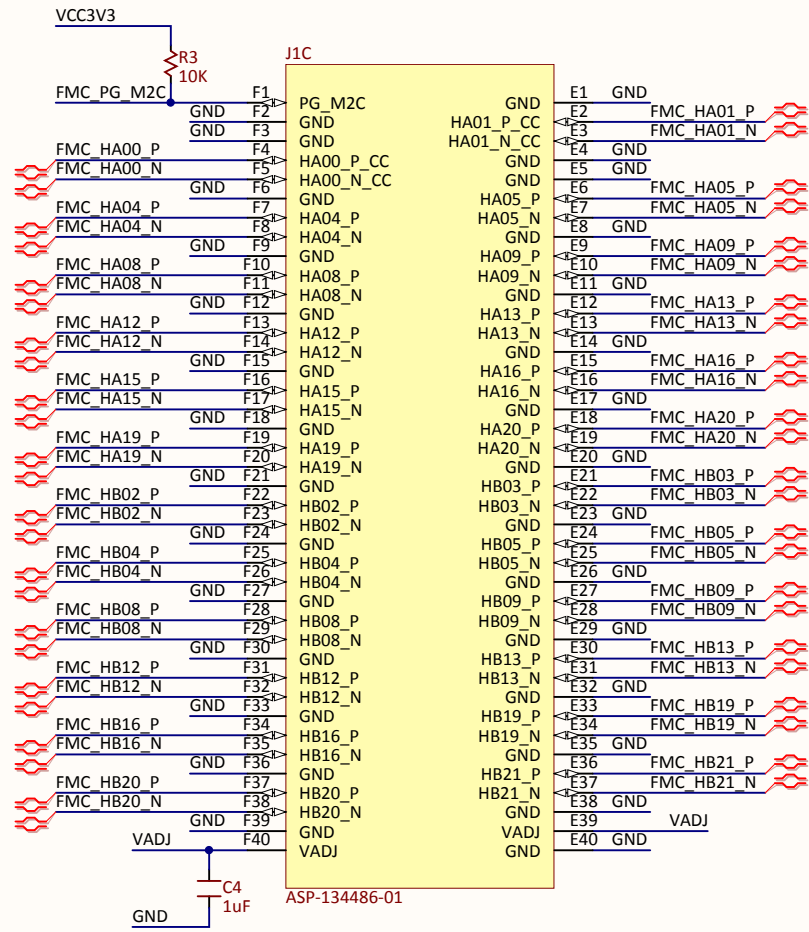


- SHIELD F Foot F1
- SHIELD F Foot F2
- SHIELD F Foot F3
- SHIELD F Foot F4
- F5 Heatsink

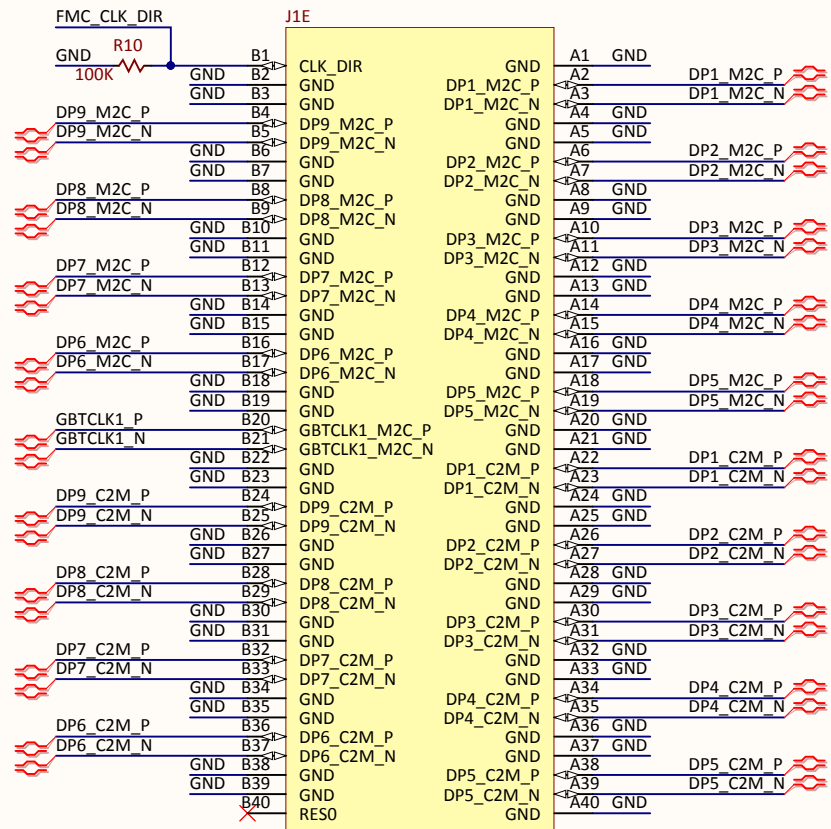
- CE
- ROHS
- Xilinx
- Genesys2
- Digilent Inc.
- Linear Tech
- Chinese ROHS

Malico MBF31035-24P + Sunon MC30101V1-0000-G99

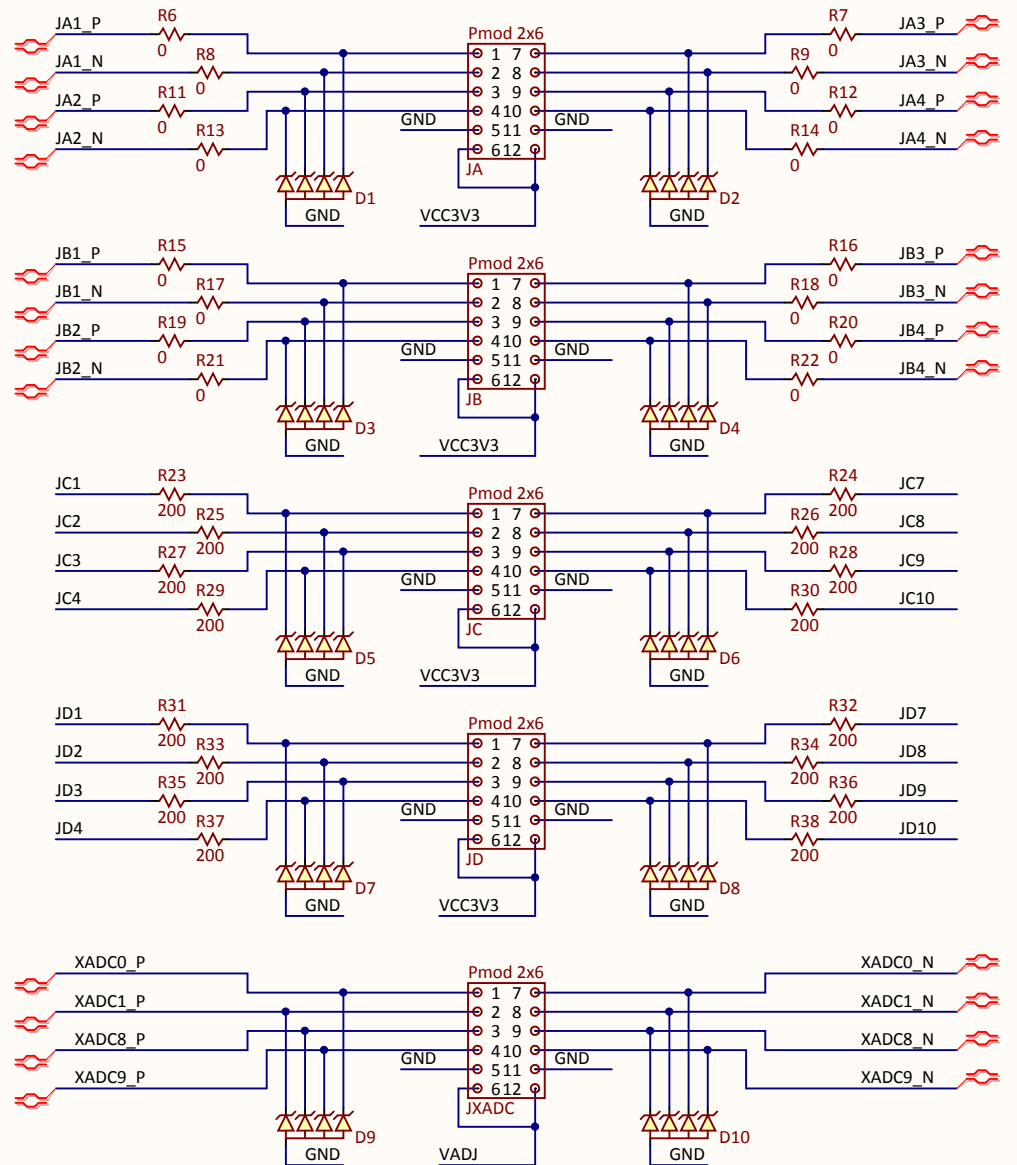
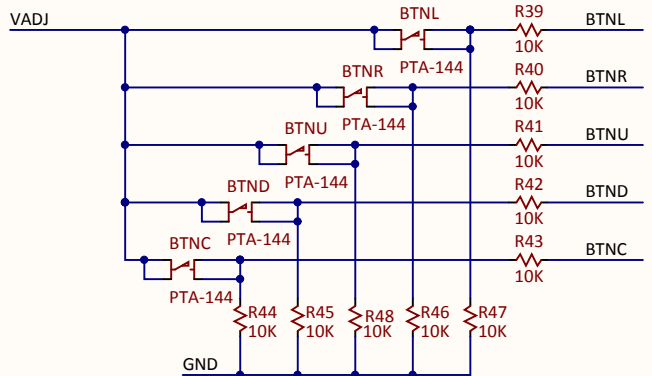
Title		Rev
Genesys 2		H.1
Circuit		Copyright 2015
FMC CONNECTOR		
Doc#	500-300	
Engineer	EG	
Author	DL	
Date	7/17/2015	
Sheet#	1 out of 22	



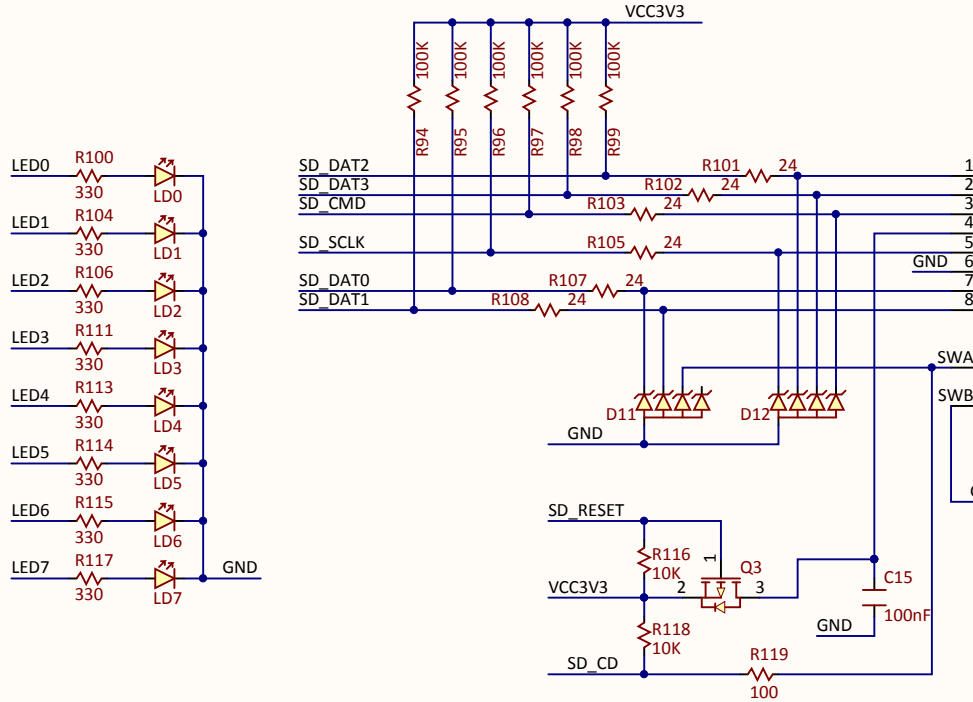
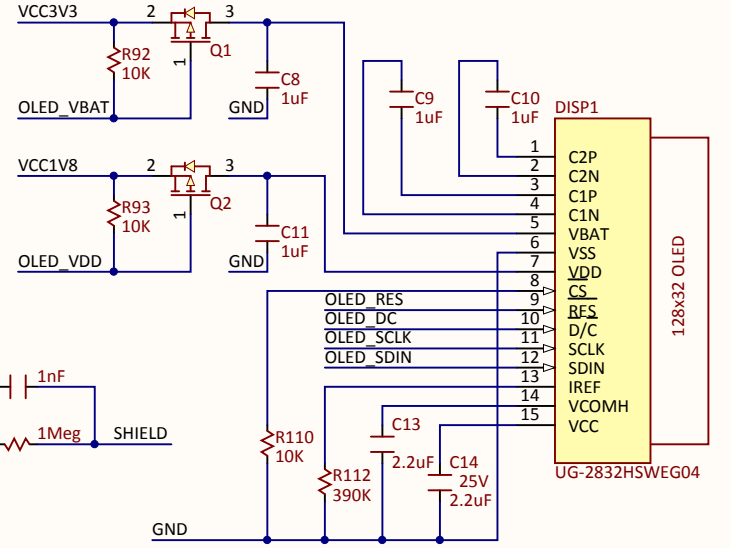
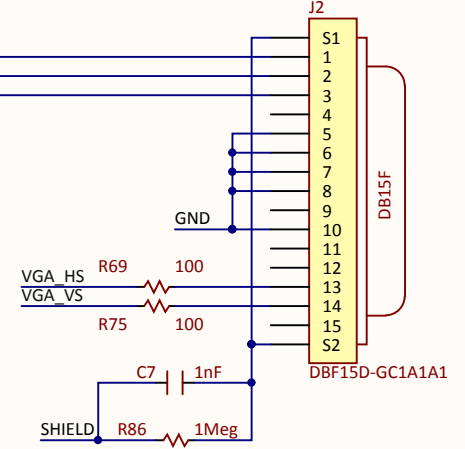
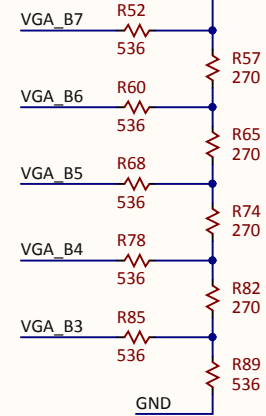
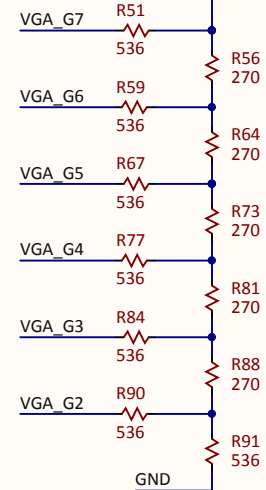
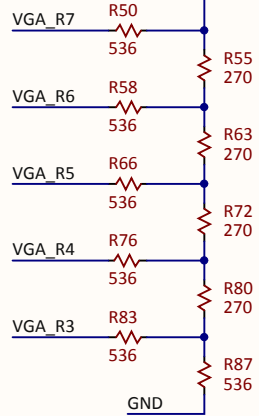
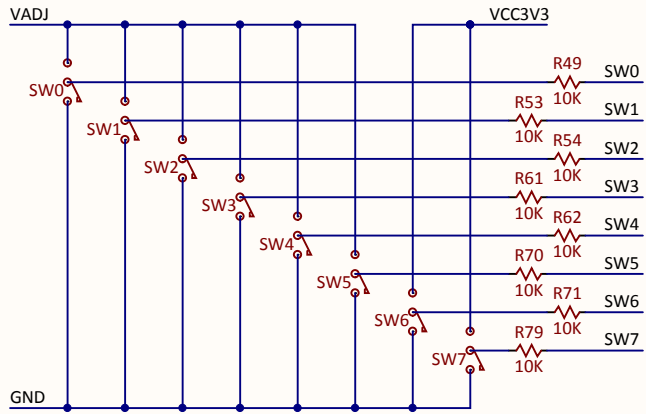
Title		Rev
Genesys 2		H.1
Circuit		Copyright 2015
FMC CONNECTOR		
Doc#	500-300	
Engineer	EG	
Author	DL	
Date	7/17/2015	
Sheet#	2 out of 22	



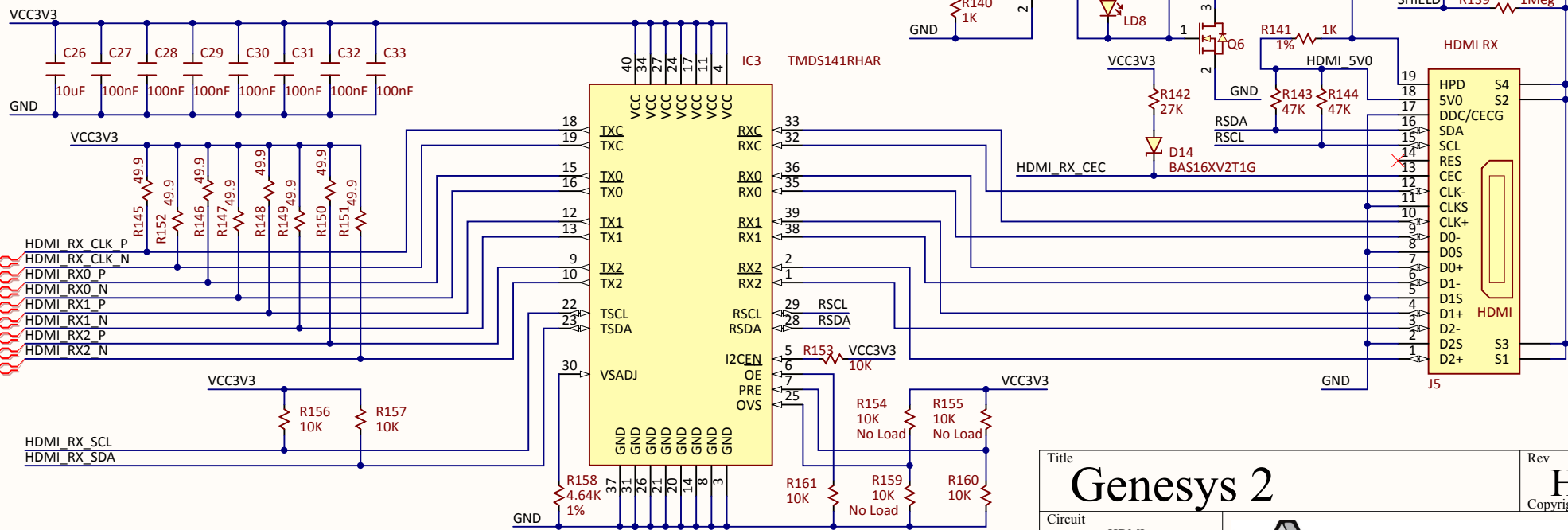
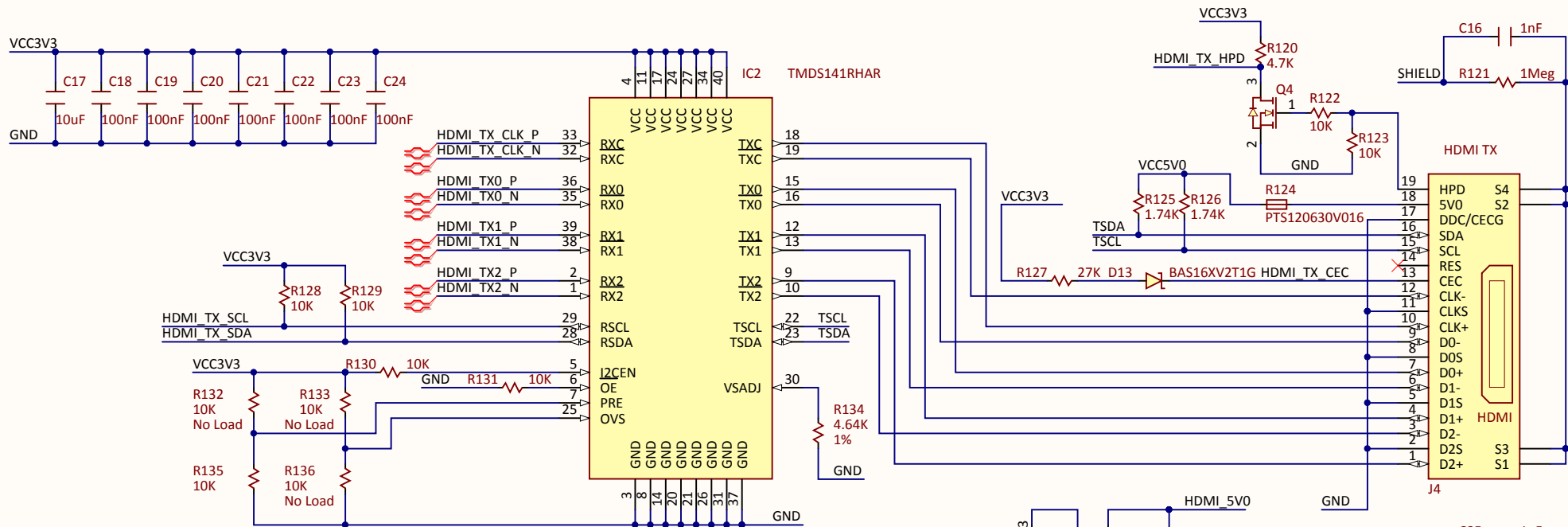
ASP-134486-01



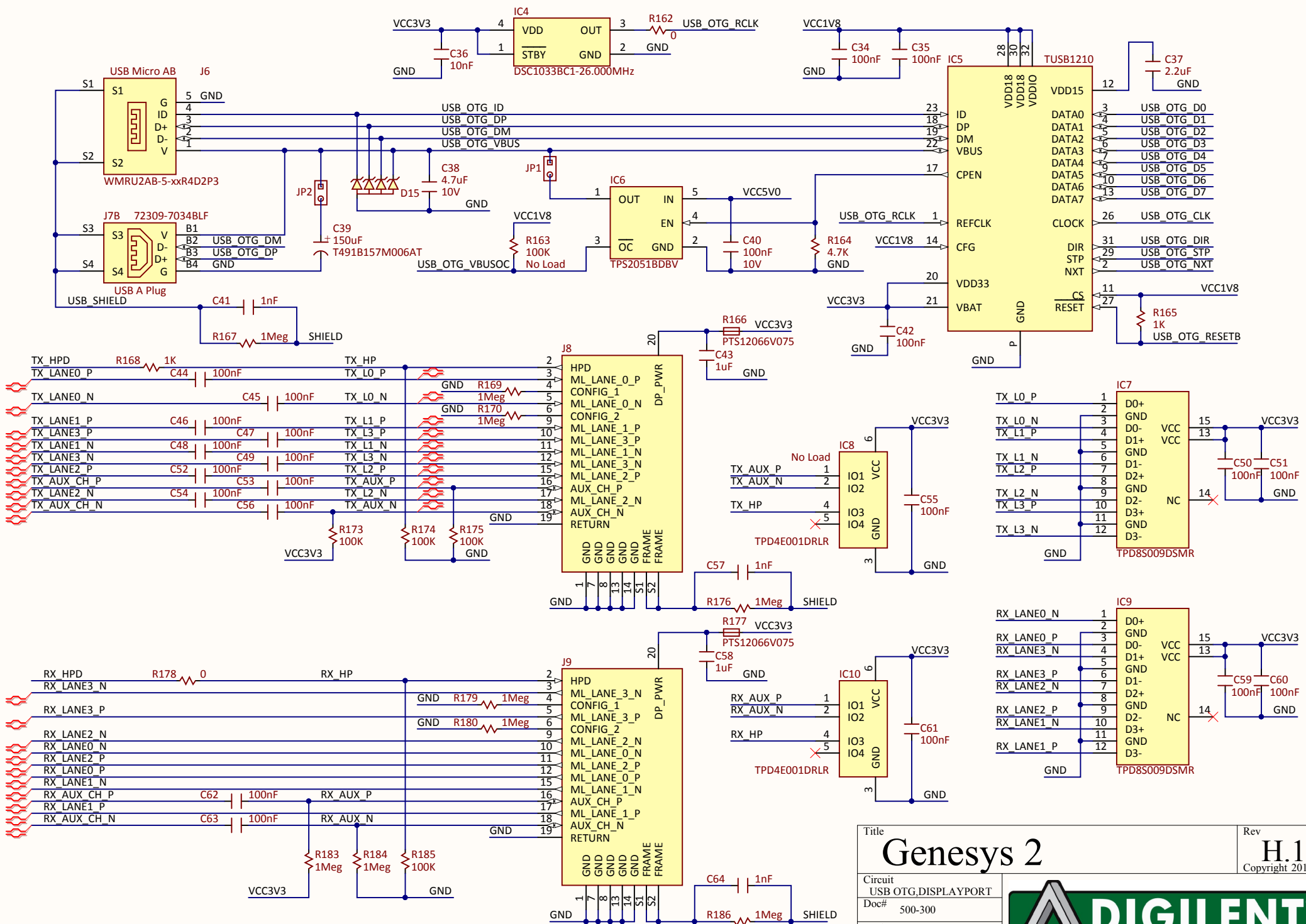
Title		Rev
Genesis 2		H.1
Circuit		Copyright 2015
FMC, PMODs, GPIO		
Doc#	500-300	
Engineer	EG	
Author	DL	
Date	7/17/2015	
Sheet#	3 out of 22	




Title		Rev
Genesis 2		H.1
Circuit VGA, OLED, SD, GPIO		Copyright 2015
Doc#	500-300	
Engineer	EG	
Author	DL	
Date	7/17/2015	
Sheet#	4 out of 22	



Title		Rev	
Genesys 2		H.1	
Circuit		Copyright 2015	
HDMI			
Doc#	500-300		
Engineer	EG		
Author	DL		
Date	7/17/2015		
Sheet#	5 out of 22		



Title		Rev	
<h1>Genesis 2</h1>		<h1>H.1</h1>	
Circuit		Copyright 2015	
USB OTG.DISPLAYPORT			
Doc#	500-300		
Engineer	EG		
Author	DL		
Date	7/17/2015		
Sheet#	6 out of 22		

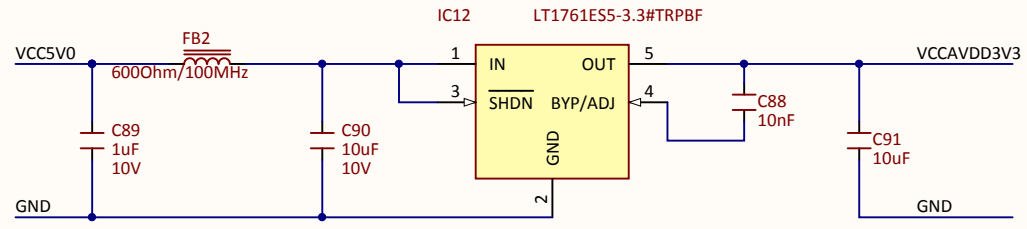
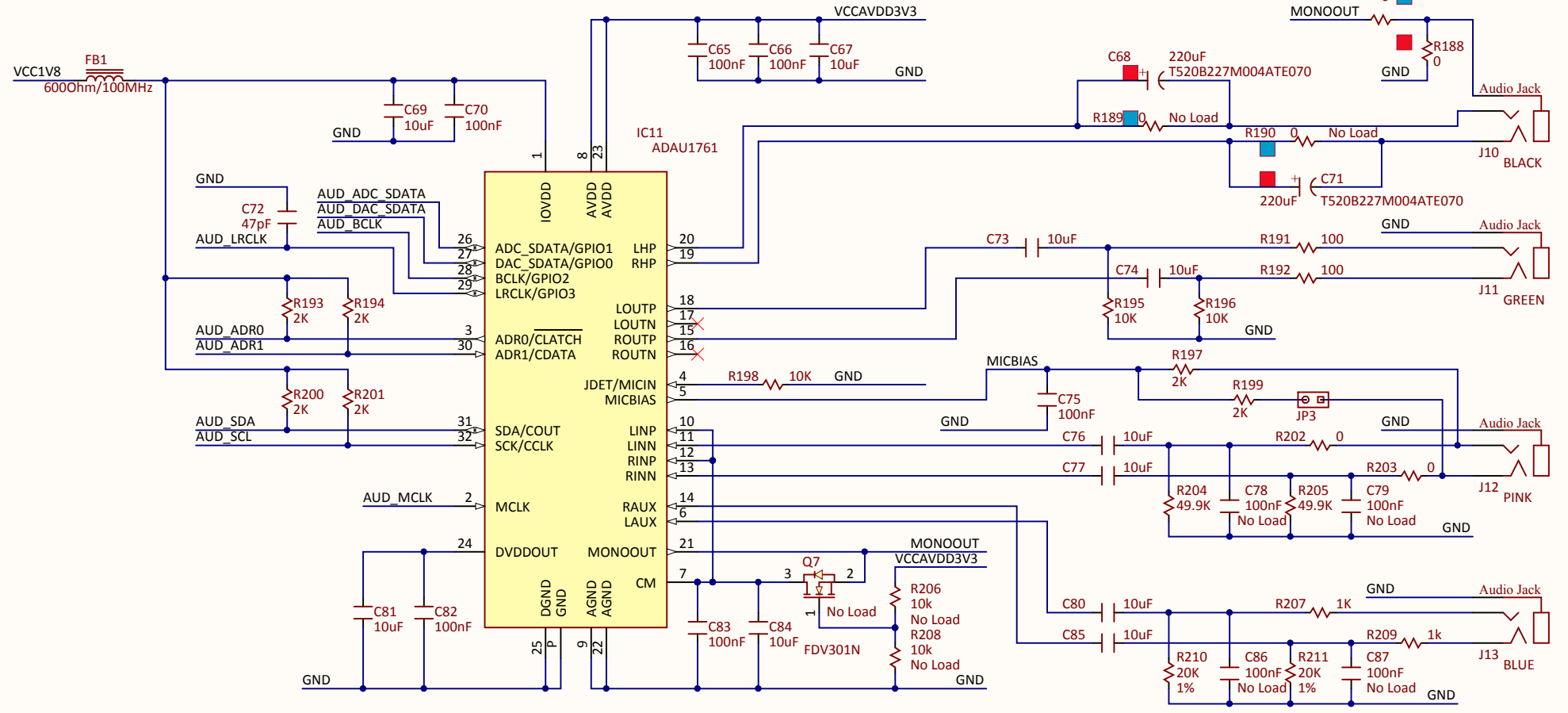


DIGILENT
BEYOND THEORY

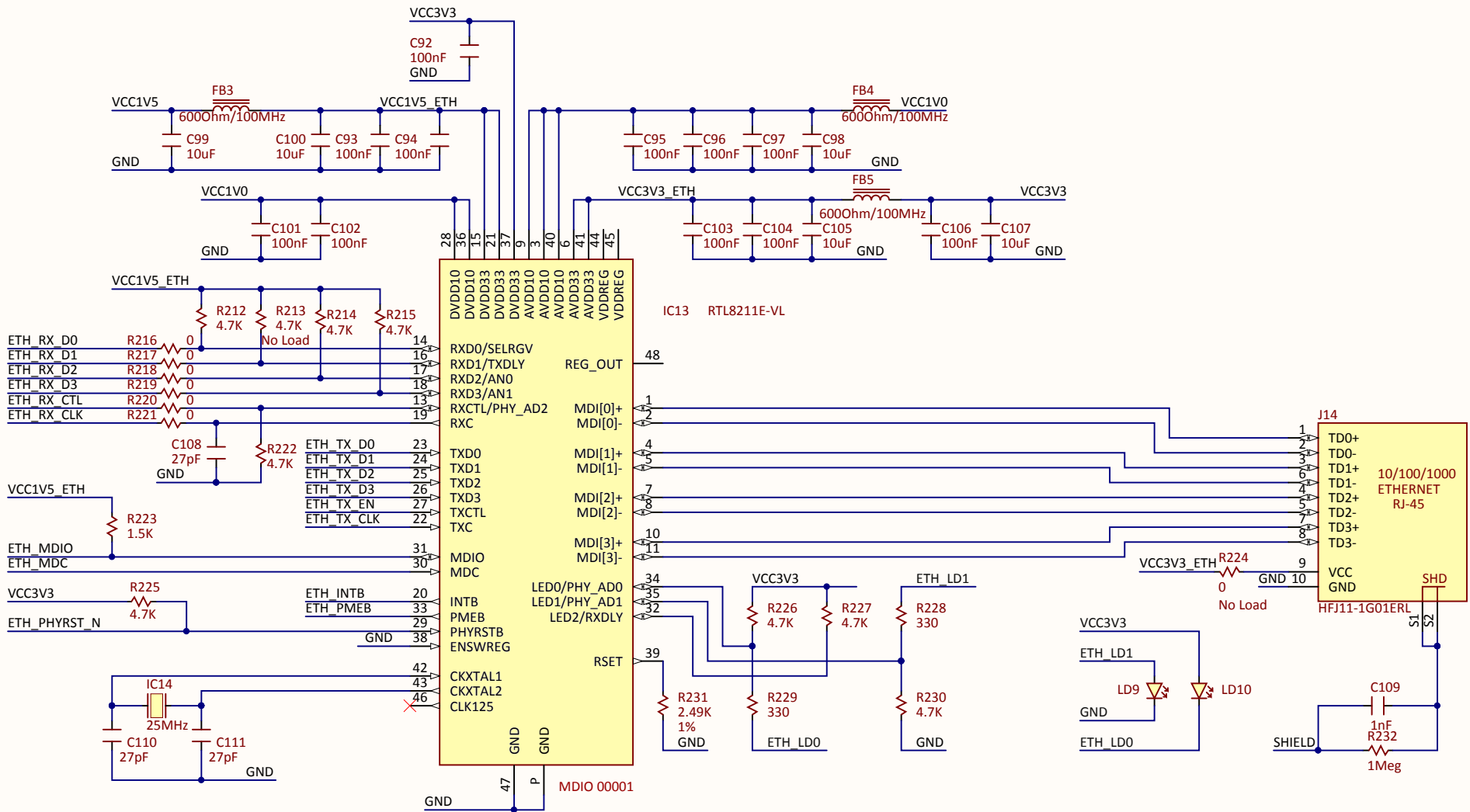
NOTE: Load No Load

Capless Headphone ■ ■


AC-Coupled Headphone ■ ■



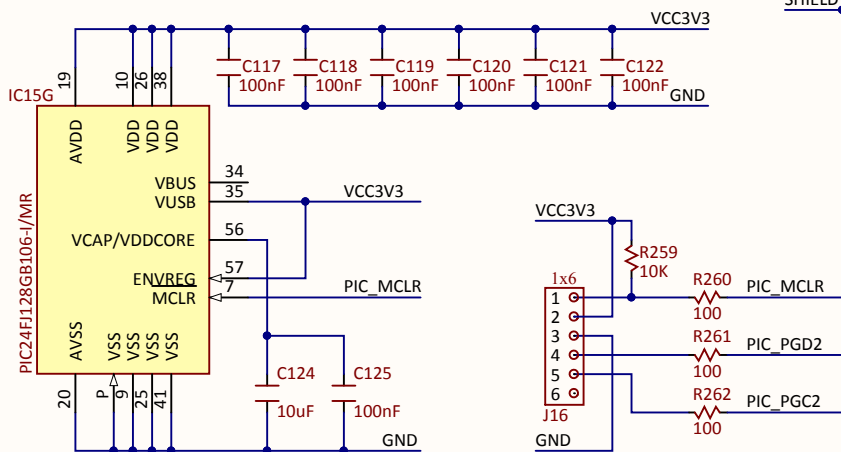
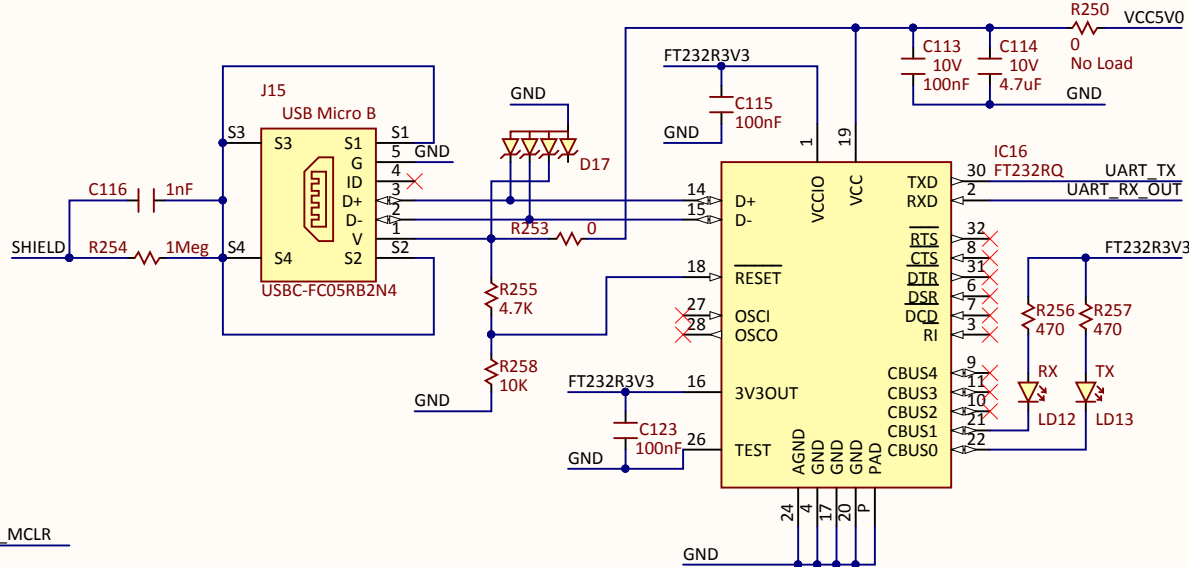
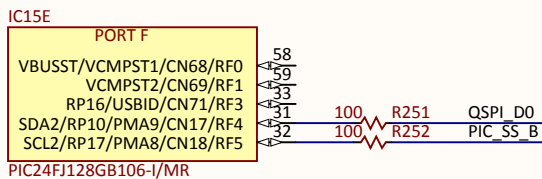
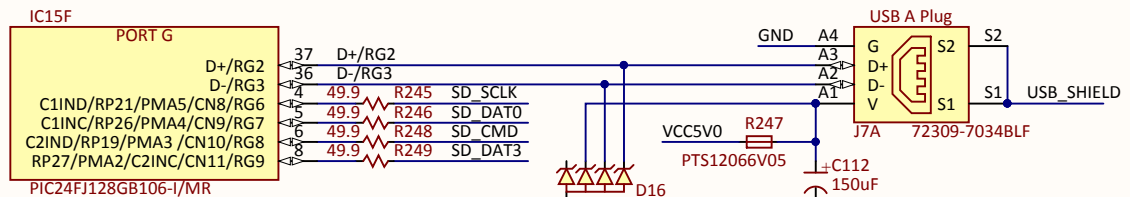
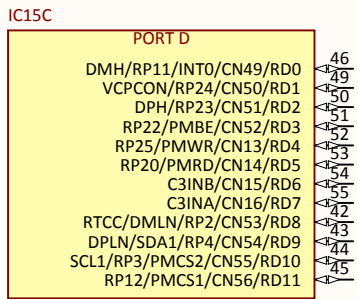
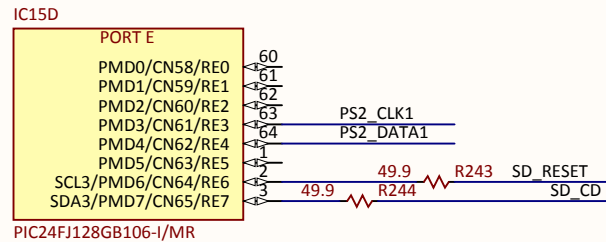
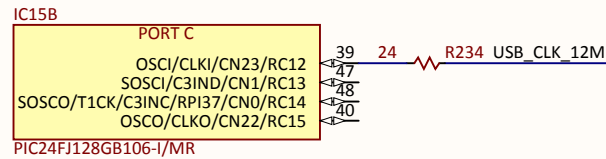
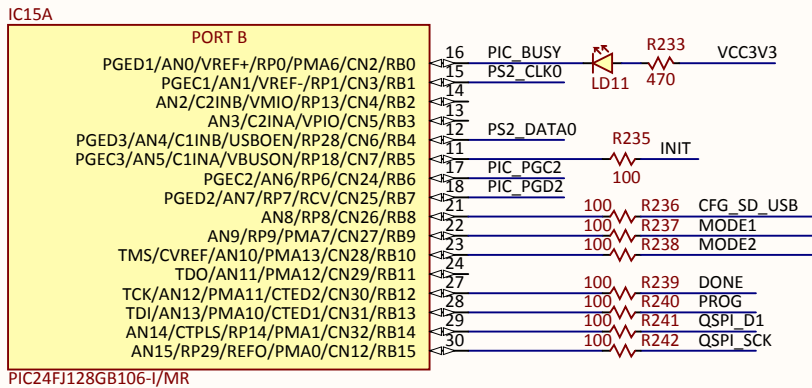
Title Genesis 2		Rev H.1 Copyright 2015
Circuit AUDIO	Doc# 500-300	
Engineer EG	Author DL	
Date 7/17/2015	Sheet# 7 out of 22	



Title		Rev	
Genesys 2		H.1	
Circuit		ETHERNET	
Doc#		500-300	
Engineer		EG	
Author		DL	
Date		7/17/2015	
Sheet#		8 out of 22	

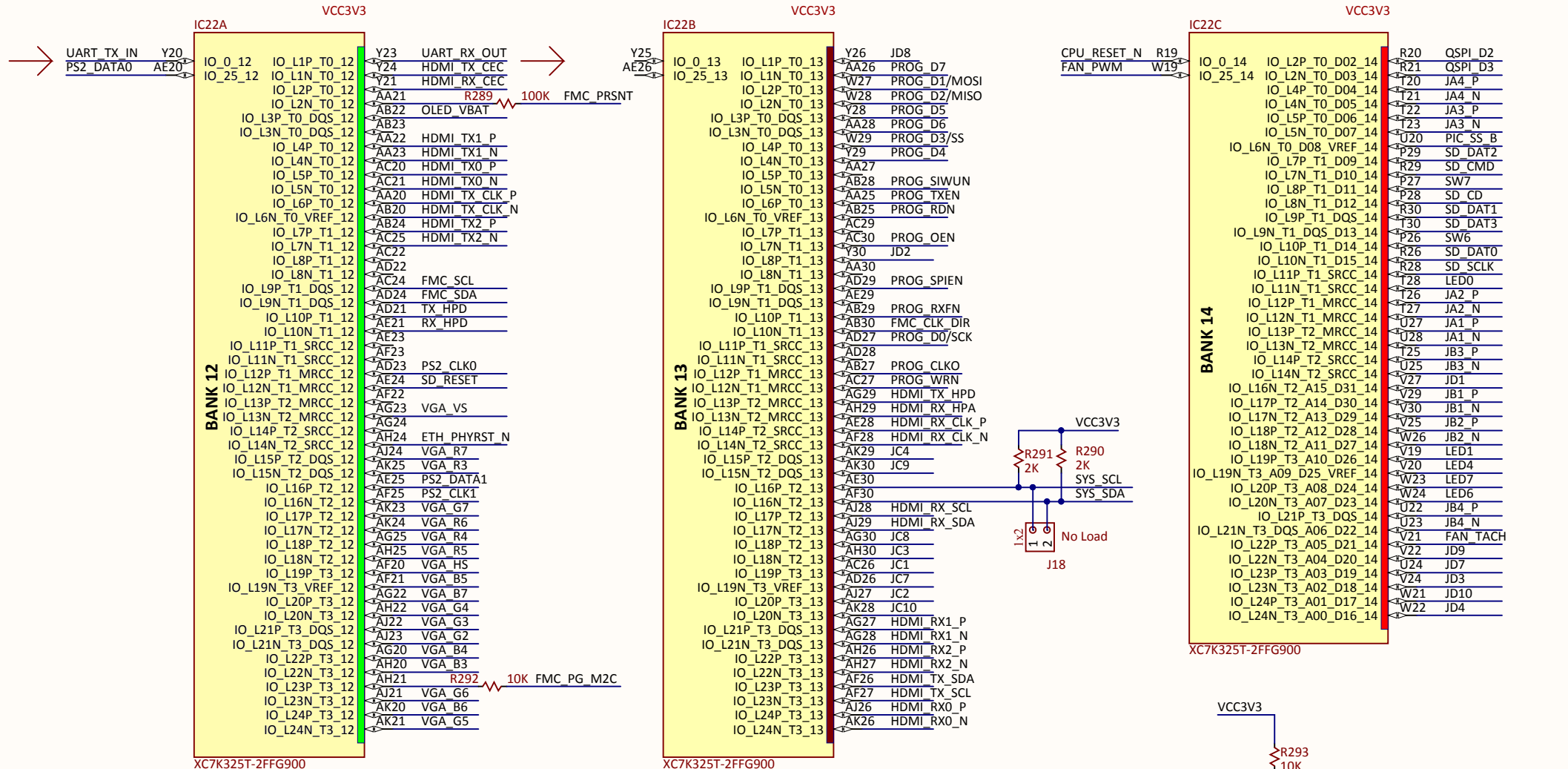


DIGILENT
BEYOND THEORY



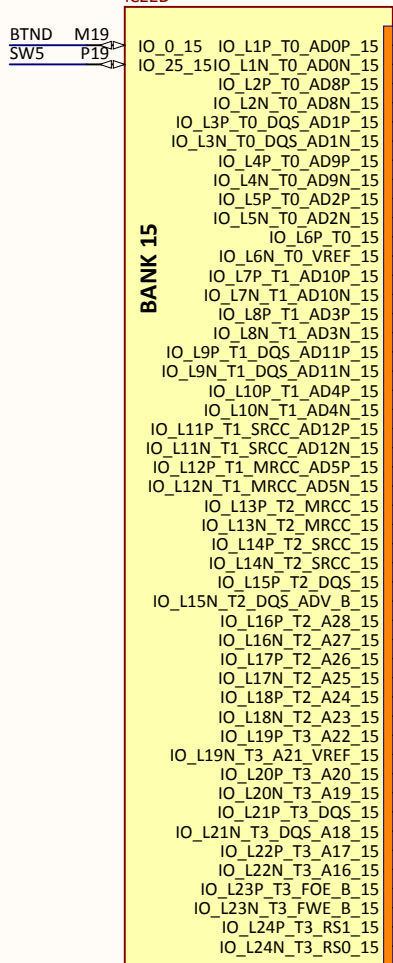
Title		Rev	
Genesys 2		H.1	
Circuit		Copyright 2015	
USB HID, UART			
Doc#	500-300		
Engineer	EG		
Author	DL		
Date	7/17/2015		
Sheet#	9 out of 22		

This page intentionally left blank.



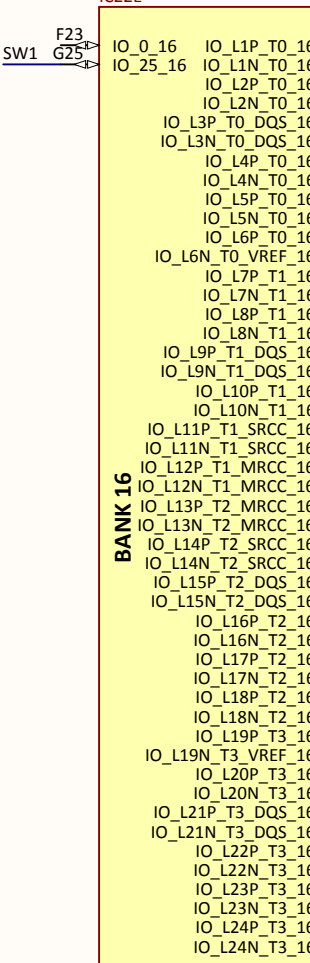
Title Genesys 2		Rev H.1 Copyright 2015
Circuit FPGA BANKS	Doc# 500-300	
Engineer EG	Author DL	
Date 7/17/2015	Sheet# 11 out of 22	

BTND M19 SW5 P19 VADJ IC22D



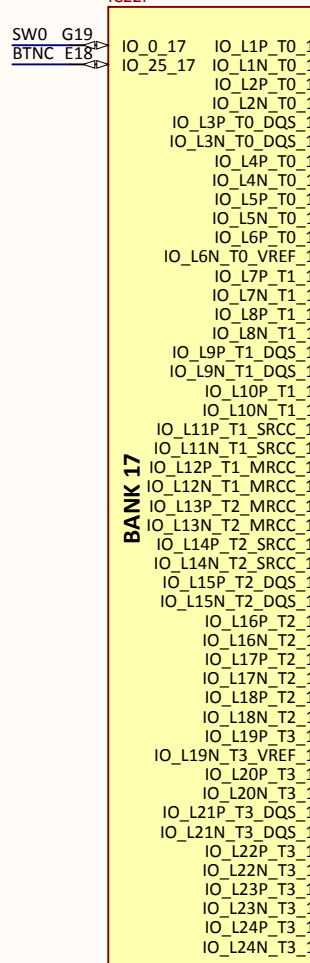
XC7K325T-2FFG900

F23 SW1 G25 VADJ IC22E

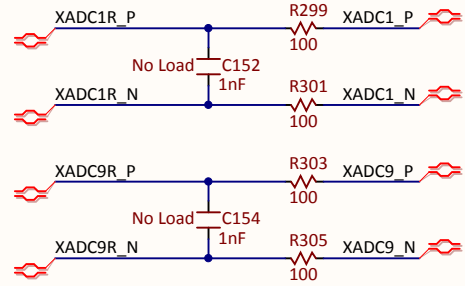
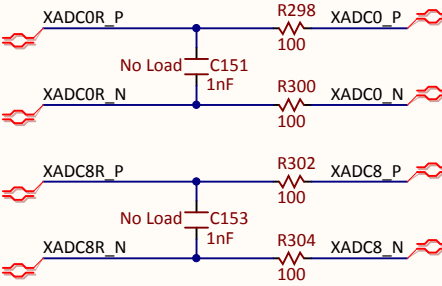


XC7K325T-2FFG900

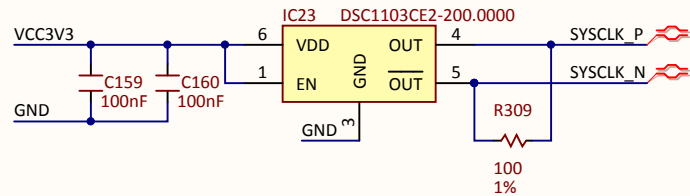
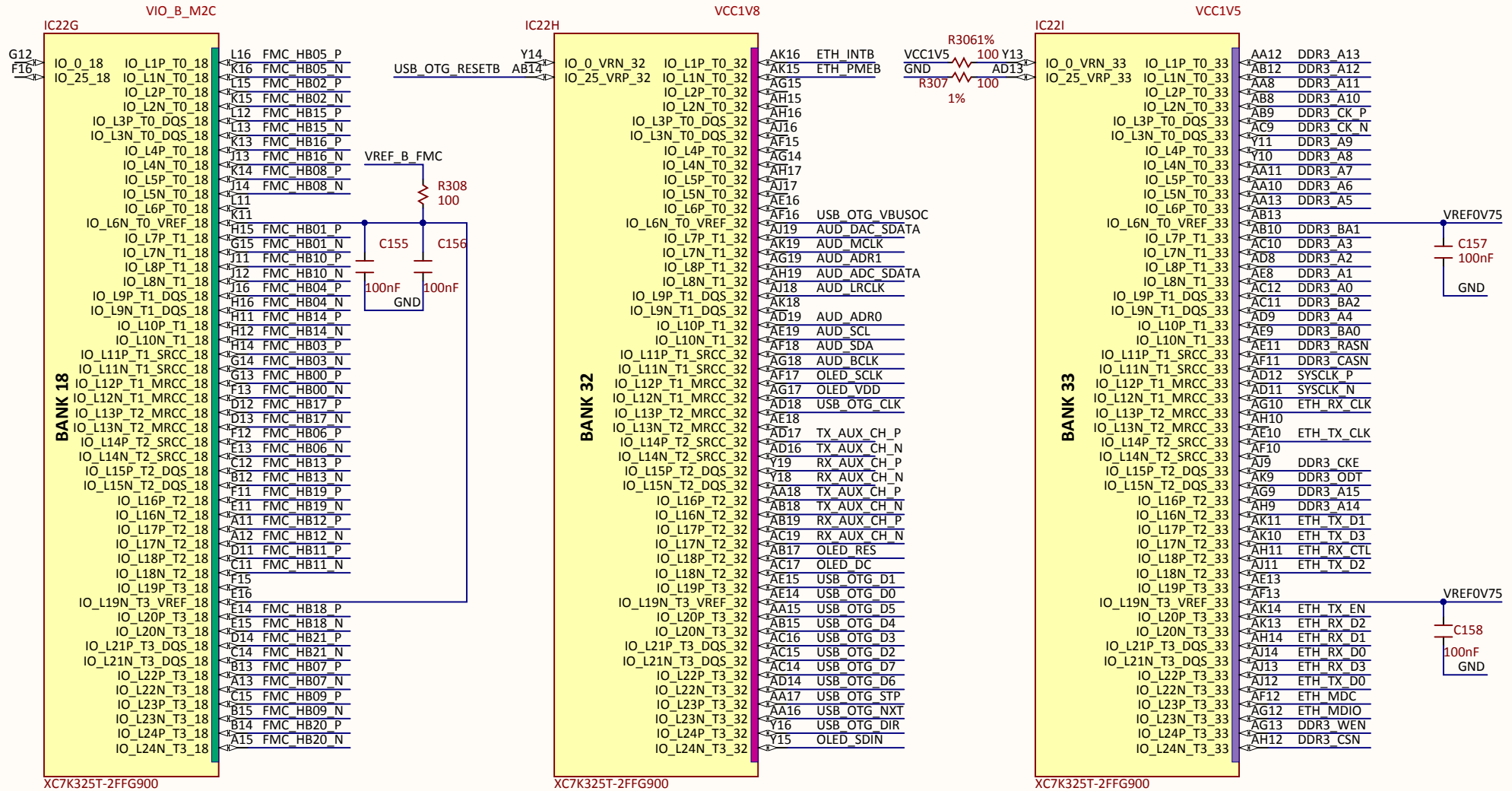
SW0 G19 BTNC E18 VADJ IC22F



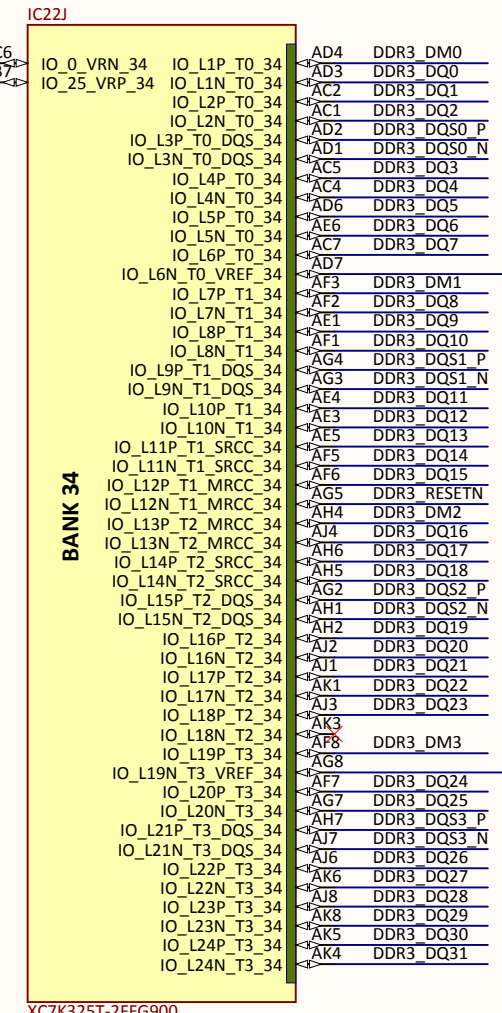
XC7K325T-2FFG900



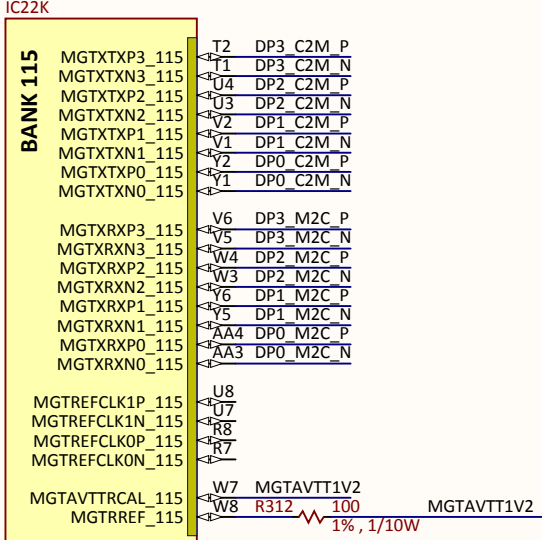
Title		Rev
Genesis 2		H.1
Circuit		Copyright 2015
FPGA BANKS		
Doc#	500-300	
Engineer	EG	
Author	DL	
Date	7/17/2015	
Sheet#	12 out of 22	



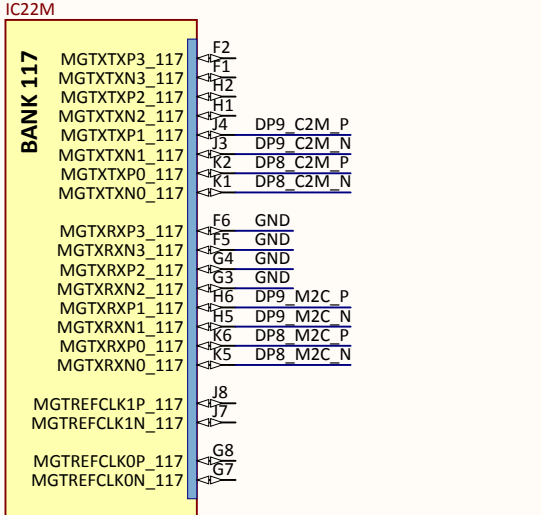
Title		Rev
Genesys 2		H.1
Circuit		Copyright 2015
FPGA BANKS		
Doc#	500-300	
Engineer	EG	
Author	DL	
Date	7/17/2015	
Sheet#	13 out of 22	



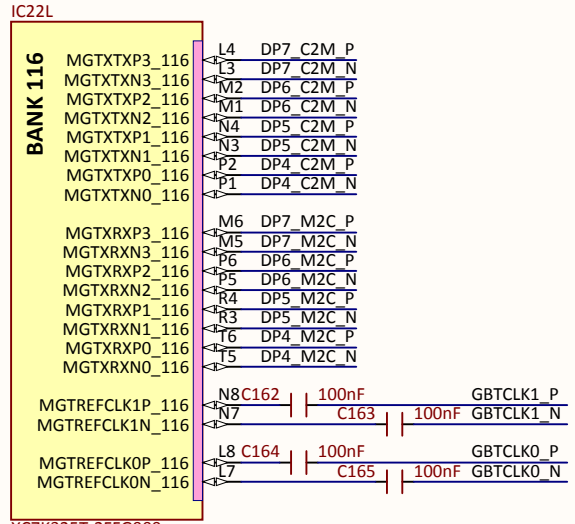
XC7K325T-2FFG900



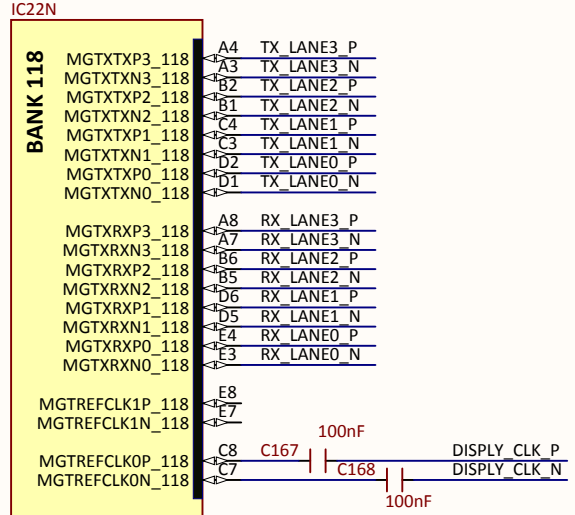
XC7K325T-2FFG900



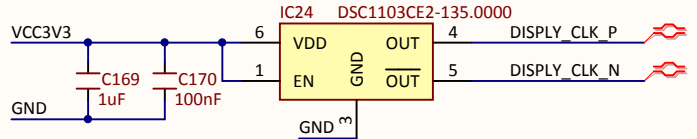
XC7K325T-2FFG900



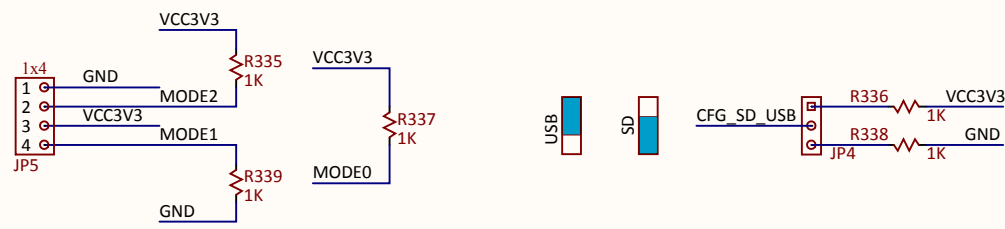
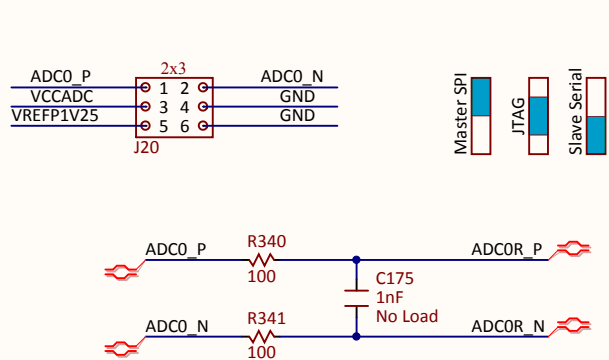
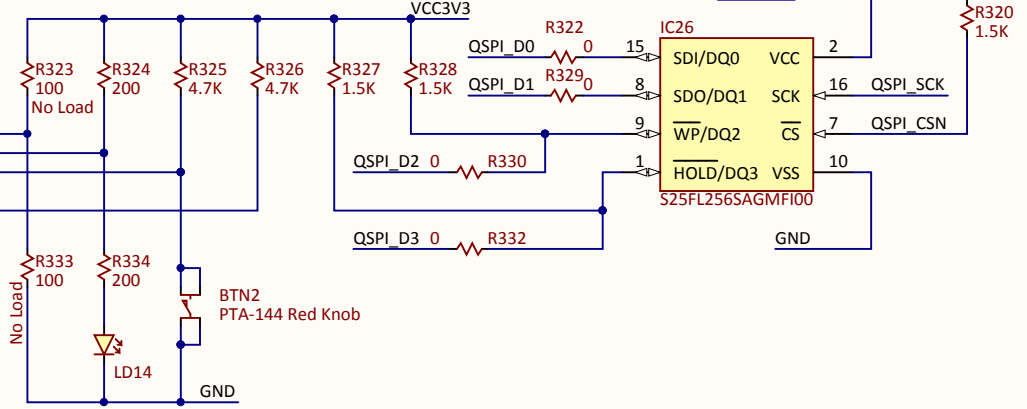
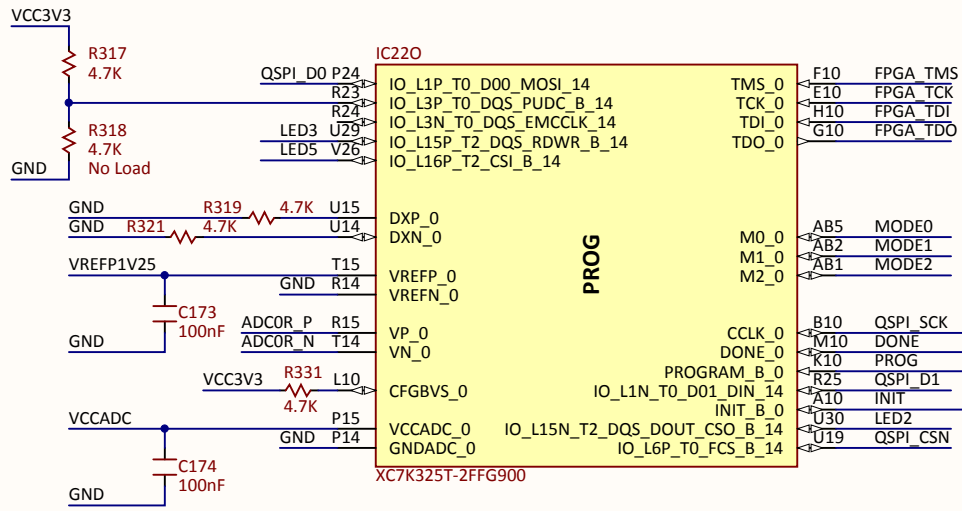
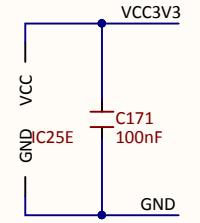
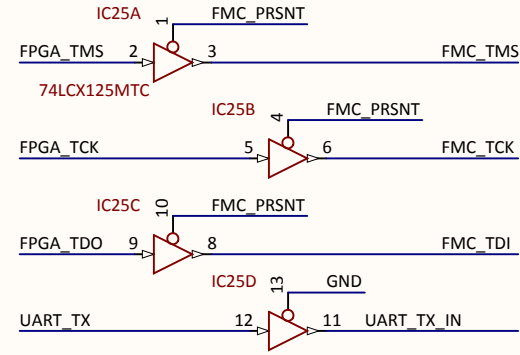
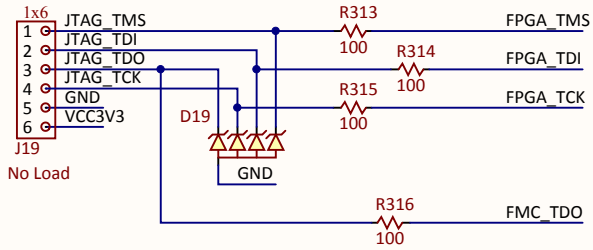
XC7K325T-2FFG900



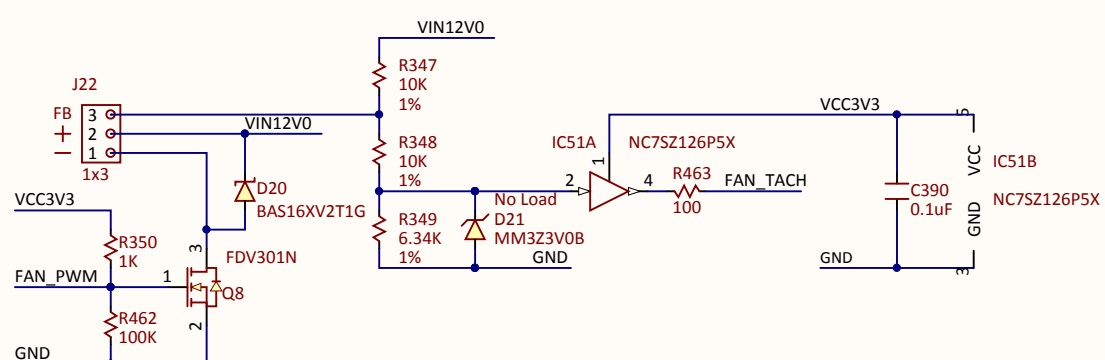
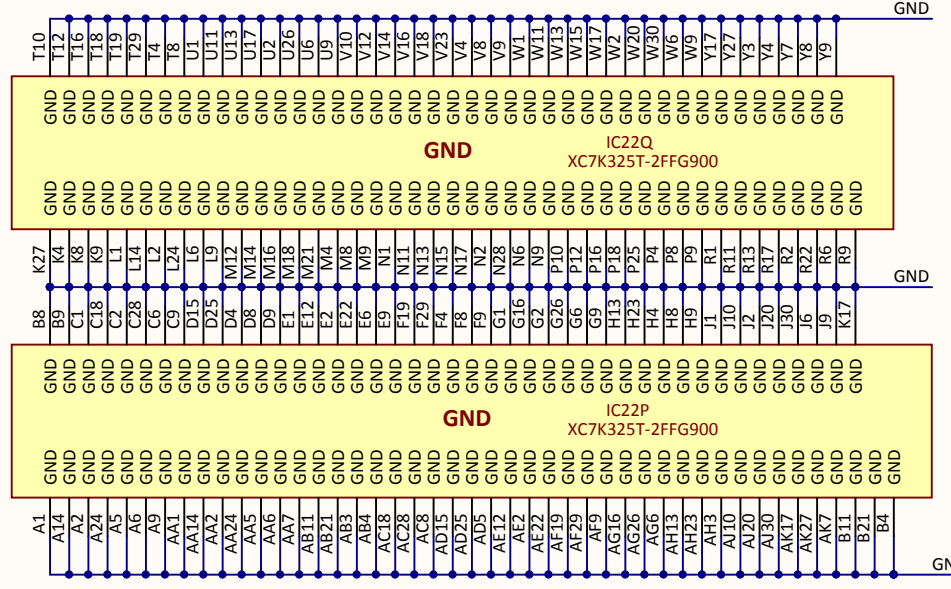
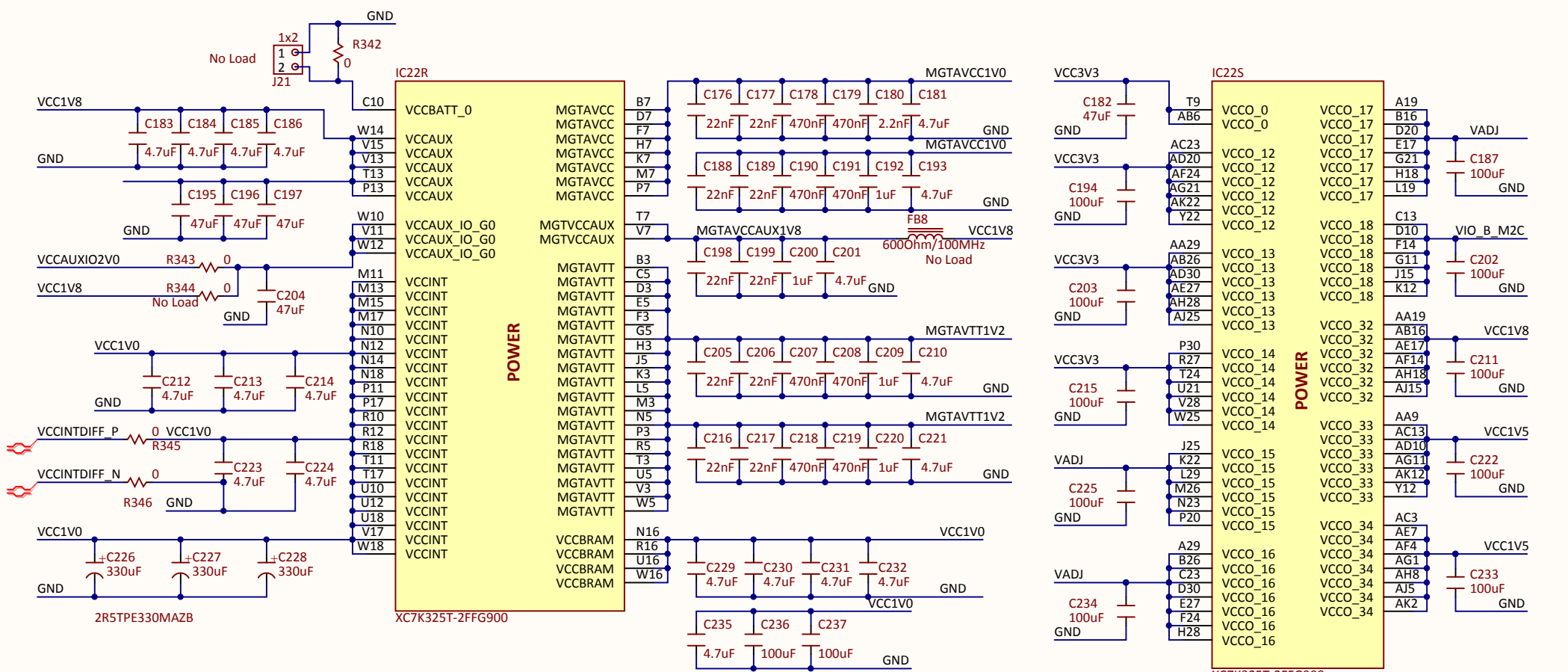
XC7K325T-2FFG900



Title		Rev
<h1>Genesys 2</h1>		<h2>H.1</h2>
		Copyright 2015
Circuit	FPGA BANKS	
Doc#	500-300	
Engineer	EG	
Author	DL	
Date	7/17/2015	
Sheet#	14 out of 22	

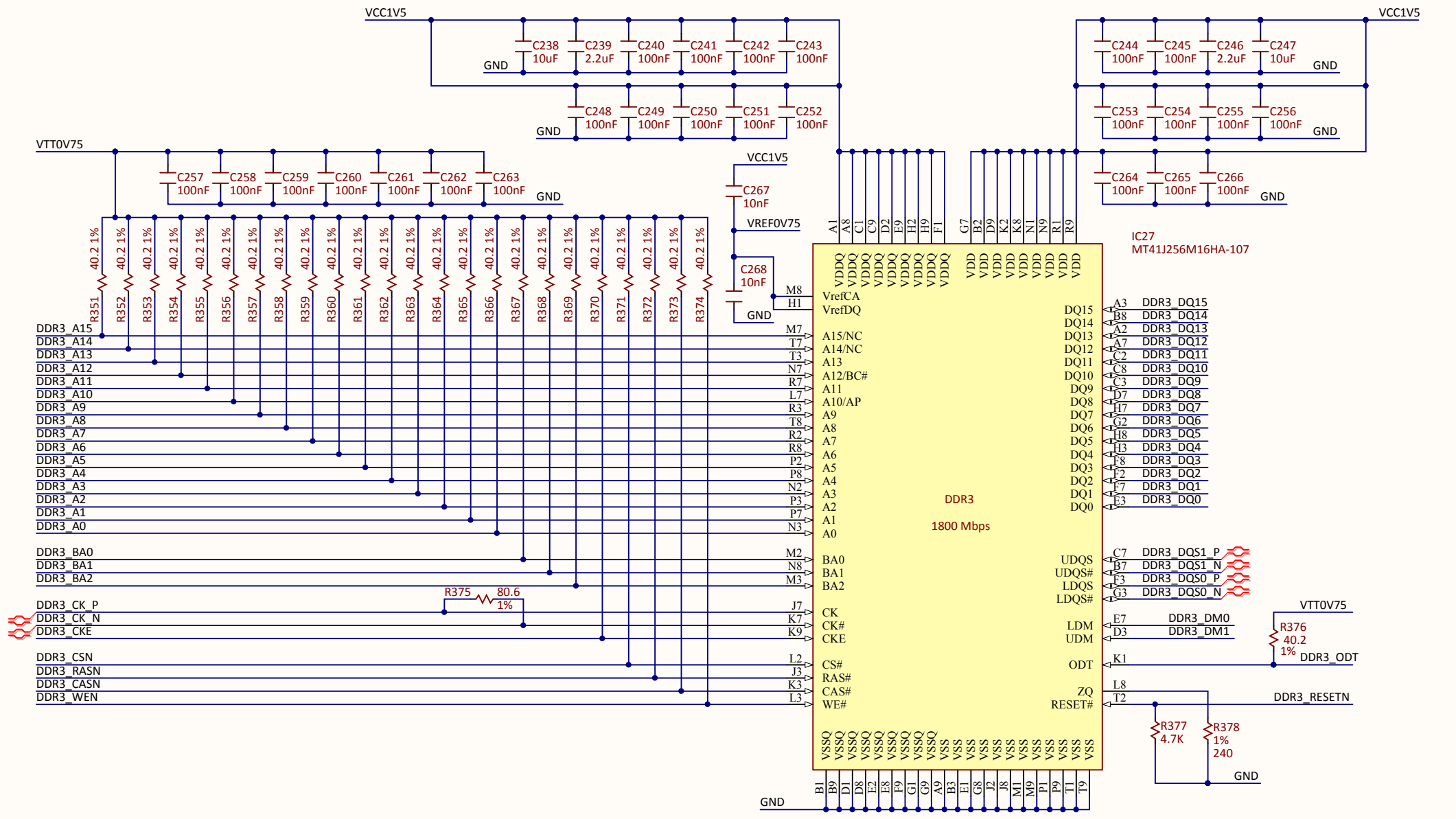


Title Genesis 2		Rev H.1 Copyright 2015
Circuit CONFIG, SPI FLASH		
Doc# 500-300		
Engineer EG		
Author DL		
Date 7/17/2015		
Sheet# 15 out of 22		




Title		Rev	
Genesys 2		H.1	
Circuit		Copyright 2015	
FPGA POWER			
Doc#		500-300	
Engineer		EG	
Author		DL	
Date		7/17/2015	
Sheet#		16 out of 22	

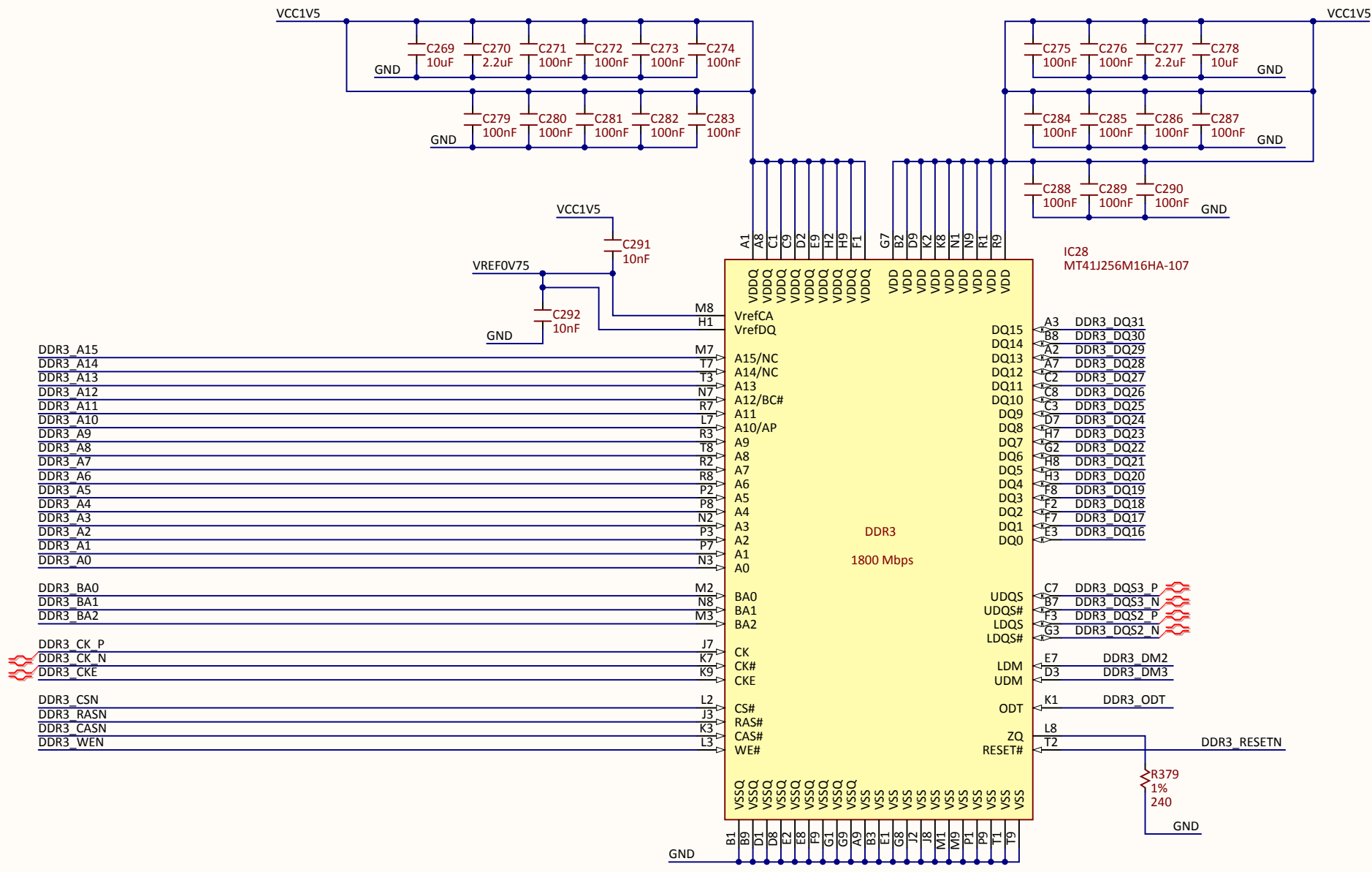




Title		Rev
<h1>Genesis 2</h1>		H.1 Copyright 2015
Circuit	DDR3	
Doc#	500-300	
Engineer	EG	
Author	DL	
Date	7/17/2015	
Sheet#	17 out of 22	



DIGILENT
BEYOND THEORY



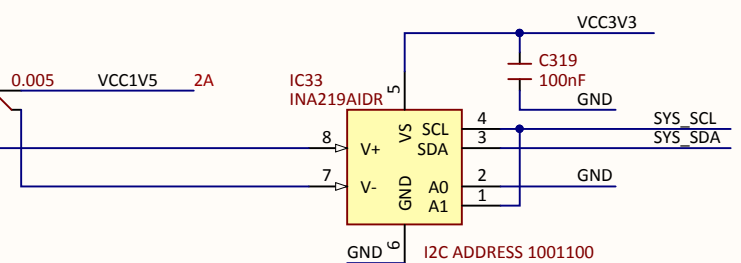
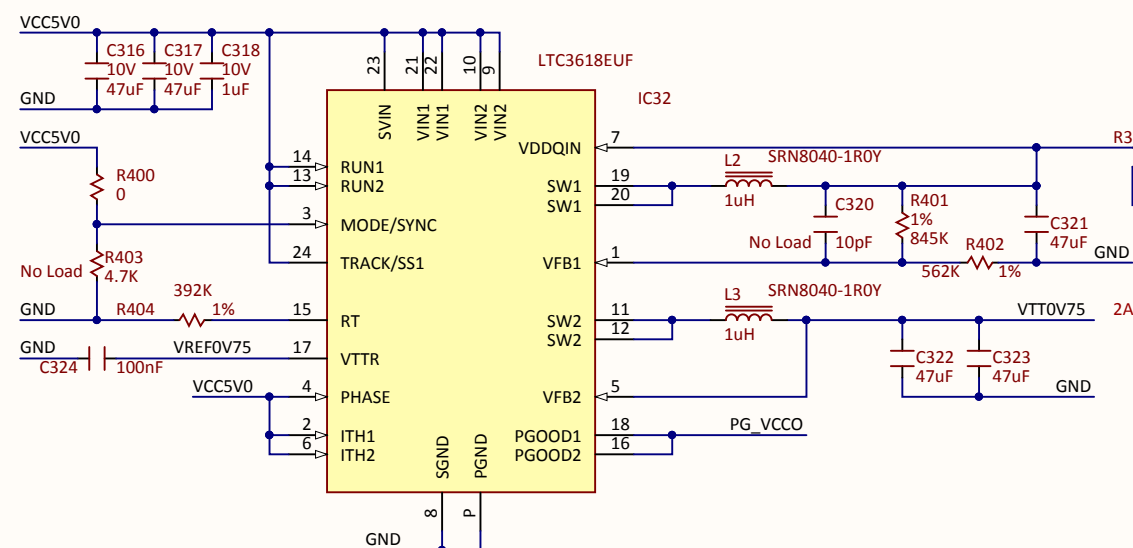
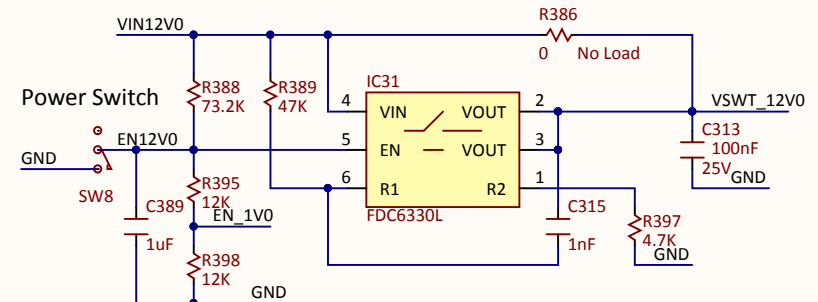
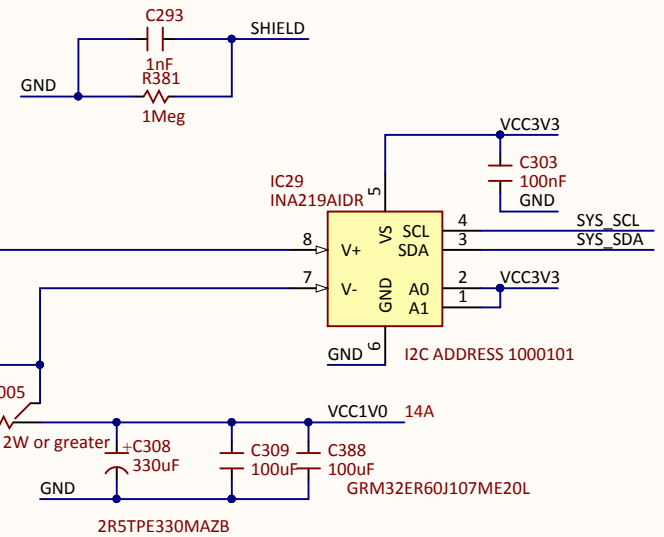
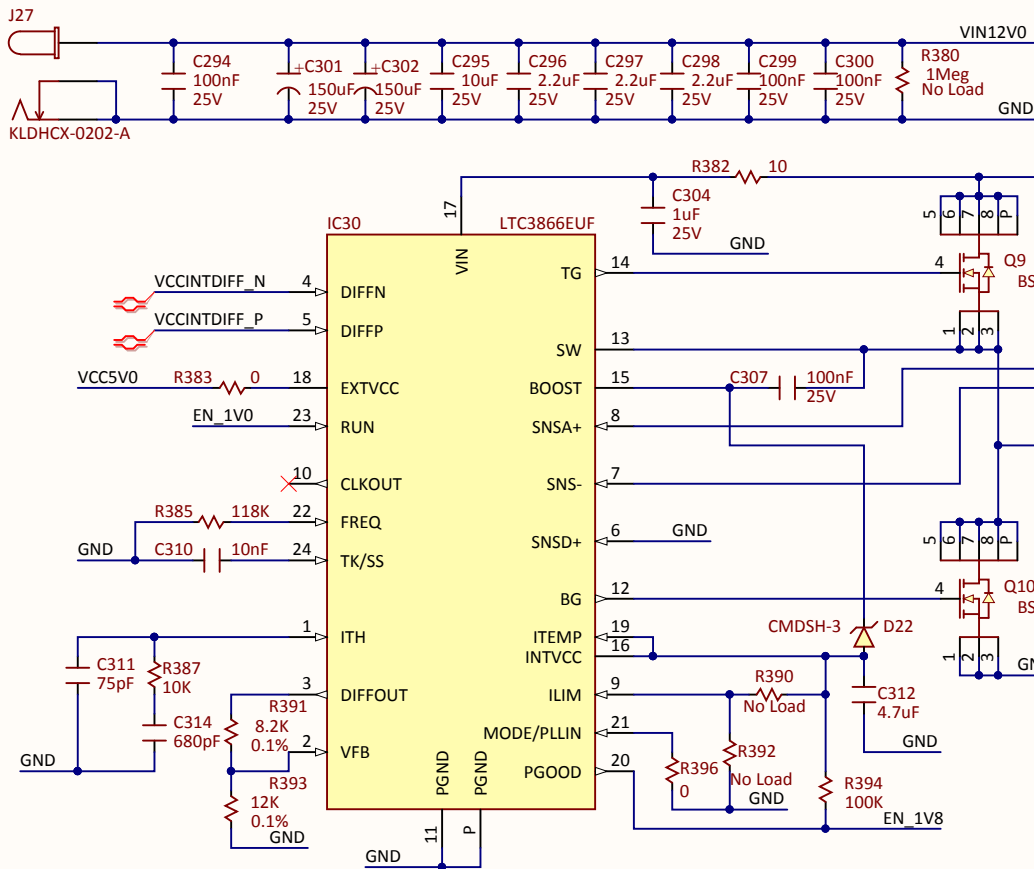
- DDR3_A15
- DDR3_A14
- DDR3_A13
- DDR3_A12
- DDR3_A11
- DDR3_A10
- DDR3_A9
- DDR3_A8
- DDR3_A7
- DDR3_A6
- DDR3_A5
- DDR3_A4
- DDR3_A3
- DDR3_A2
- DDR3_A1
- DDR3_A0

- DDR3_BA0
- DDR3_BA1
- DDR3_BA2

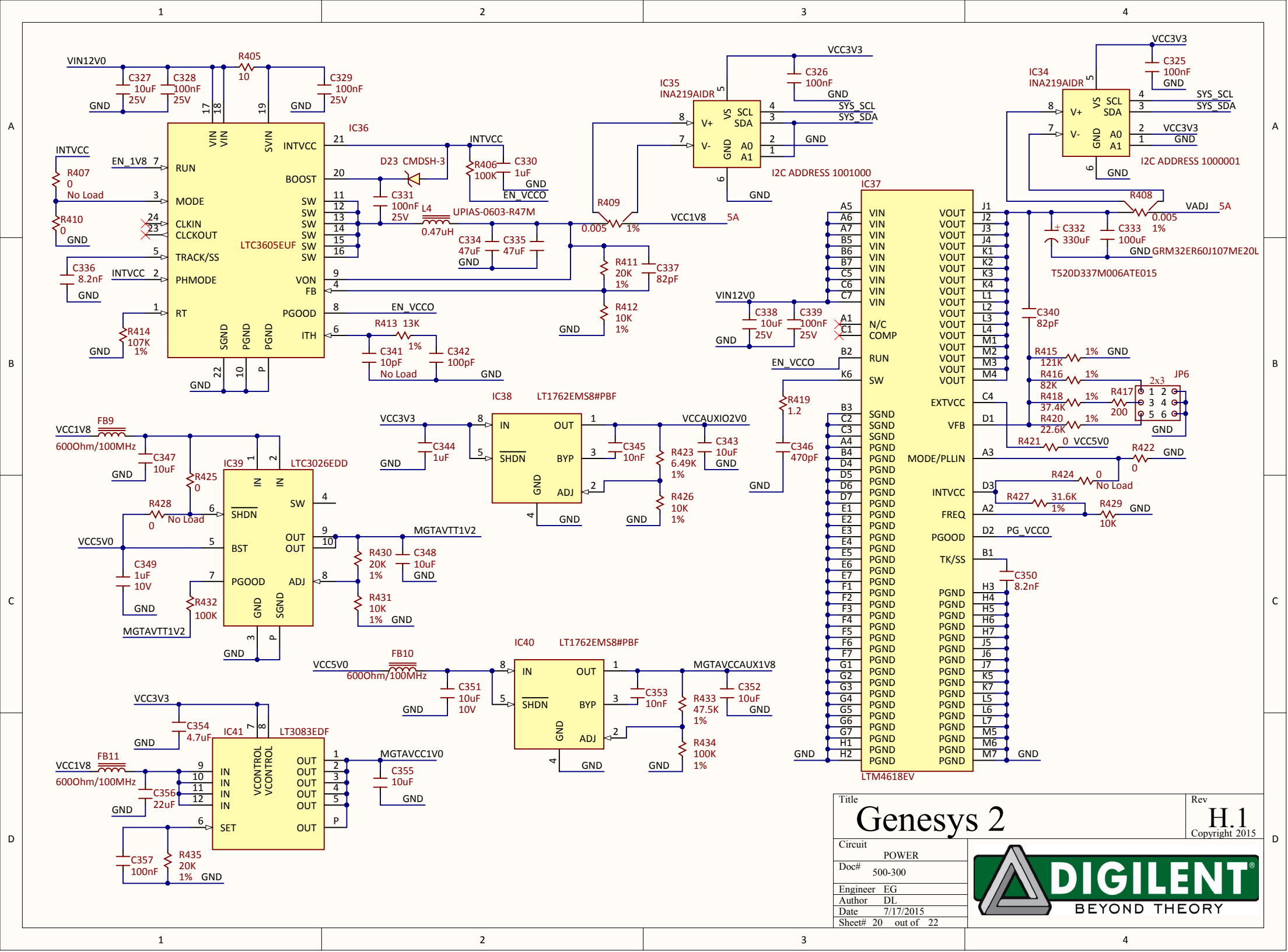
- DDR3_CK_P
- DDR3_CK_N
- DDR3_CKE

- DDR3_CSN
- DDR3_RASN
- DDR3_CASN
- DDR3_WEN


Title Genesys 2		Rev H.1 Copyright 2015
Circuit DDR3	Doc# 500-300	
Engineer EG	Author DL	
Date 7/17/2015	Sheet# 18 out of 22	



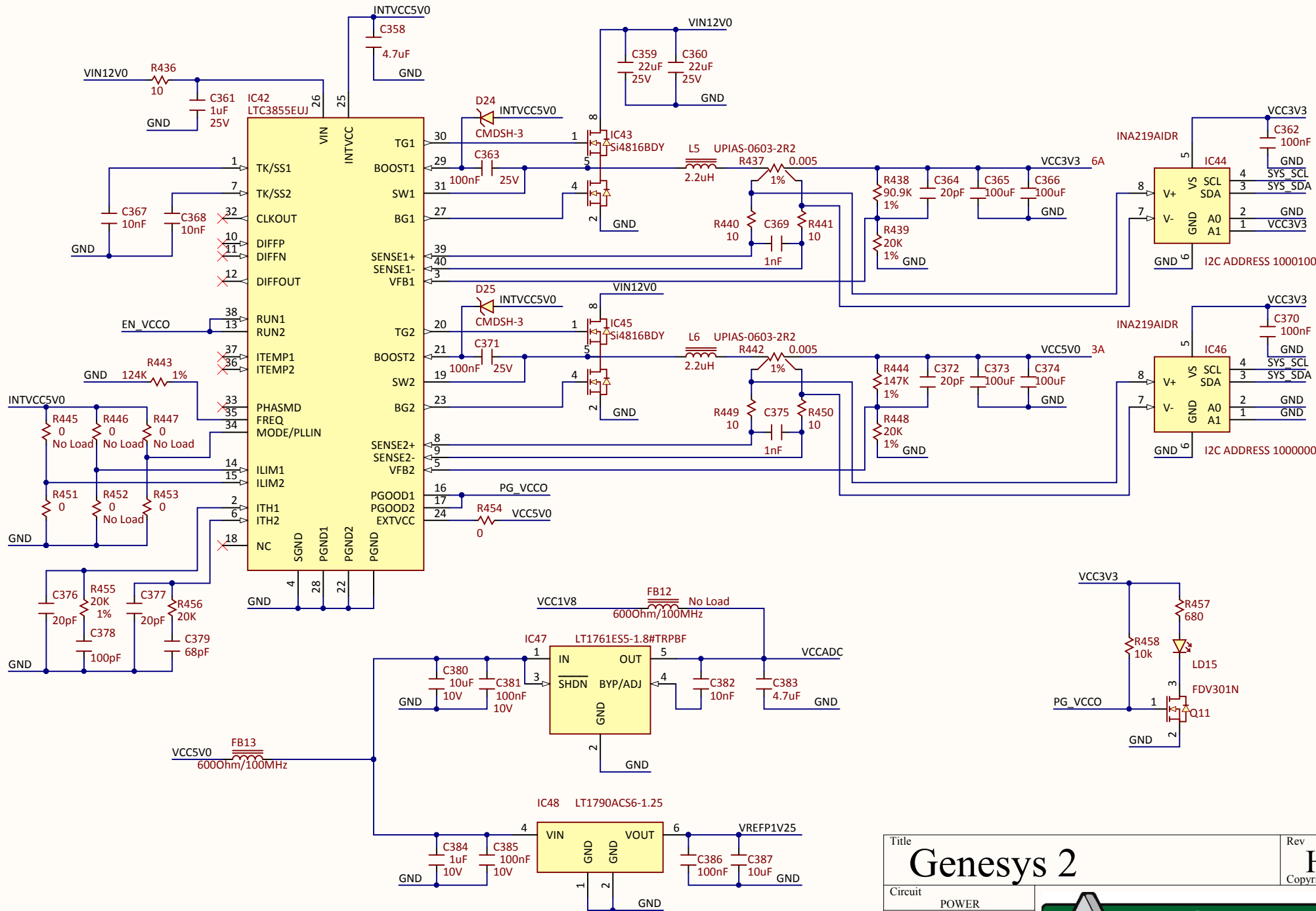
Title		Rev	
<h1>Genesis 2</h1>		H.1	
		Copyright 2015	
Circuit	POWER		
Doc#	500-300		
Engineer	EG		
Author	DL		
Date	7/17/2015		
Sheet#	19 out of 22		



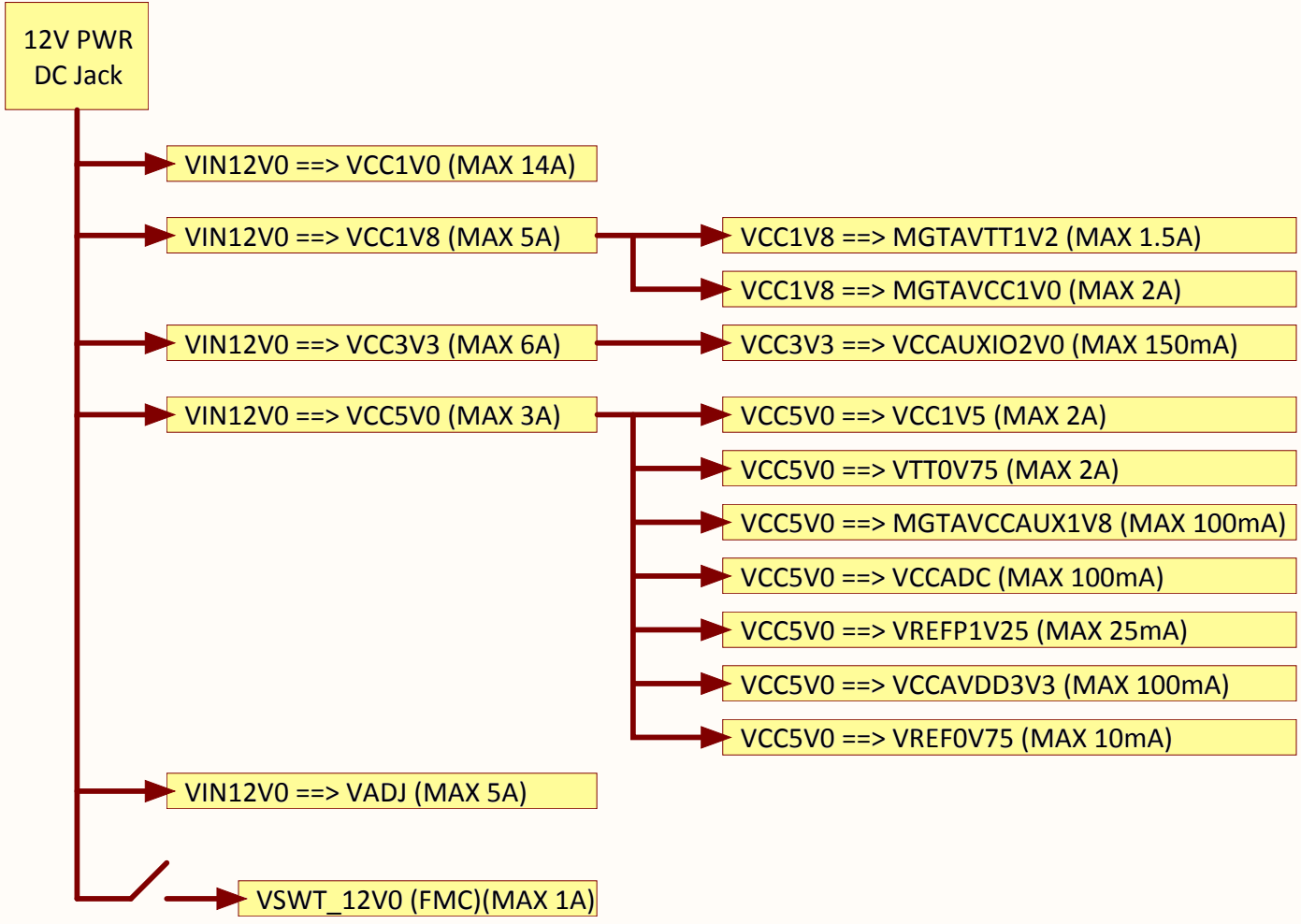
Title		Rev
<h1>Genesis 2</h1>		<h1>H.1</h1>
		Copyright 2015
Circuit	POWER	
Doc#	500-300	
Engineer	EG	
Author	DL	
Date	7/17/2015	
Sheet#	20 out of 22	



DIGILENT
BEYOND THEORY



Title Genesis 2		Rev H.1 Copyright 2015
Circuit POWER		
Doc# 500-300		
Engineer EG		
Author DL		
Date 7/17/2015		
Sheet# 21 out of 22		



Title Genesis 2		Rev H.1 Copyright 2015
Circuit POWER TREE		
Doc# 500-300		
Engineer EG		
Author DL		
Date 7/17/2015		
Sheet# 22 out of 22		

X-ON Electronics

Largest Supplier of Electrical and Electronic Components

Click to view similar products for [Development Boards & Kits - Other Processors](#) category:

Click to view products by [Digilent](#) manufacturer:

Other Similar products are found below :

[KIT_AURIX_TC233LP_TRB](#) [EVB-MEC1418MECC](#) [SPC56XVTOP-M](#) [ADZS-BF506F-EZLITE](#) [ADZS-SADA2-BRD](#) [20-101-1252](#)
[T1023RDB-PC](#) [20-101-1267](#) [T1042D4RDB-PA](#) [ML610Q174](#) [REFERENCE BOARD](#) [MPC574XG-MB](#) [BSC9132QDS](#) [C29XPCIE-RDB](#)
[KIT_TC1793_SK](#) [CC-ACC-18M433](#) [P1010RDB-PB](#) [P1020RDB-PD](#) [P2020COME-DS-PB](#) [STM8S/32-D/RAIS](#) [T4240RDB-PB](#) [TRK-USB-](#)
[MPC5604B](#) [TWR-56F8200](#) [CY3674](#) [SPC58XXADPT176S](#) [MAX1464EVKIT](#) [TRK-MPC5606B](#) [RTE510Y470TGB00000R](#) [STM8128-](#)
[MCKIT](#) [MAXQ622-KIT#](#) [YRPBRL78G11](#) [SPC58EEMU](#) [QB-R5F10JGC-TB](#) [YQB-R5F11BLE-TB](#) [SPC564A70AVB176](#)
[RTE5117GC0TGB00000R](#) [QB-R5F100LE-TB](#) [YR0K50571MS000BE](#) [YQB-R5F1057A-TB](#) [QB-R5F104PJ-TB](#) [CC-ACC-ETHMX](#)
[LFM34INTPQA](#) [SPC563M64A176S](#) [Y-BLDC-SK-RL78F14](#) [P1021RDB-PC](#) [SPC58XCADPT176S](#) [RTE510MPG0TGB00000R](#)
[YRPBRX71M](#) [LFMAJ04PLT](#) [KITAURIXTC234LPSTRBTOBO1](#) [OV-7604-C7-EVALUATION-BOARD](#)