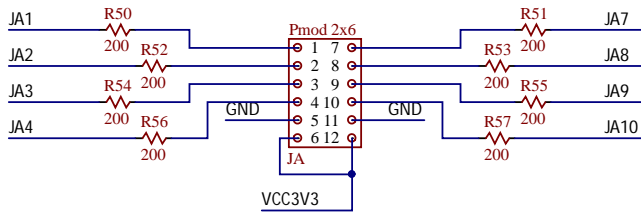
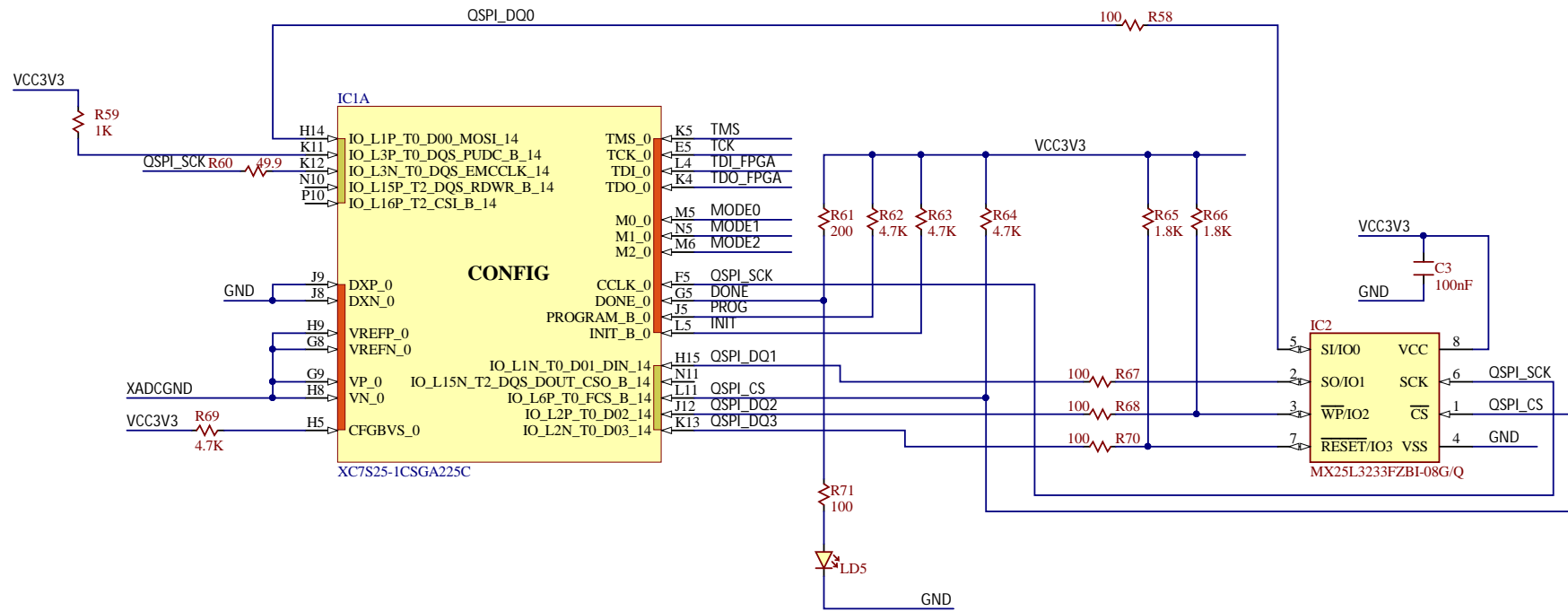


NOTE: D1-D16 are not loaded.

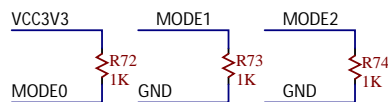


Title		Rev
Cmod S7		B.0
		Copyright 2018
Circuit	GENERAL IO	
Doc#	500-376	
Engineer	MTA	
Author	GMA	
Date	3/13/2018	
Sheet#	1 out of 6	





Defaults to SPI Programming



Title Cmod S7		Rev B.0 Copyright 2018
Circuit CONFIG, SPI FLASH		
Doc# 500-376		
Engineer MTA		
Author GMA		
Date 3/13/2018		
Sheet# 2 out of 6		

IC1B

BANK 14

IO_0_14
 IO_L4P_T0_D04_14
 IO_L4N_T0_D05_14
 IO_L5P_T0_D06_14
 IO_L5N_T0_D07_14
 IO_L6N_T0_D08_VREF_14
 IO_L7P_T1_D09_14
 IO_L7N_T1_D10_14
 IO_L8P_T1_D11_14
 IO_L8N_T1_D12_14
 IO_L9P_T1_DQS_14
 IO_L9N_T1_DQS_D13_14
 IO_L10P_T1_D14_14
 IO_L10N_T1_D15_14
 IO_L11P_T1_SRCC_14
 IO_L11N_T1_SRCC_14
 IO_L12P_T1_MRCC_14
 IO_L12N_T1_MRCC_14
 IO_L13P_T2_MRCC_14
 IO_L13N_T2_MRCC_14
 IO_L14P_T2_SRCC_14
 IO_L14N_T2_SRCC_14
 IO_L16N_T2_D31_14
 IO_L17P_T2_D30_14
 IO_L17N_T2_D29_14
 IO_L18P_T2_D28_14
 IO_L18N_T2_D27_14
 IO_L19P_T3_D26_14
 IO_L19N_T3_D25_VREF_14
 IO_L20P_T3_D24_14
 IO_L20N_T3_D23_14
 IO_L21P_T3_DQS_14
 IO_L21N_T3_DQS_D22_14
 IO_L22P_T3_D21_14
 IO_L22N_T3_D20_14
 IO_L23P_T3_D19_14
 IO_L23N_T3_D18_14
 IO_L24P_T3_D17_14
 IO_L24N_T3_D16_14
 IO_25_14

J11 PIO31
 K14 PIO27
 L15 PIO23
 J15 PIO28
 K15 UART_TXD_IN
 L12 UART_RXD_OUT
 L13 PIO29
 L14 PIO26
 M13 PIO30
 N13 PIO18
 M14 PIO22
 M15 PIO21
 N14 PIO20
 N15 PIO19
 P14 PIO16
 P15 PIO17
 R13
 R14
 M9 GCLK
 M10 R75 49.9
 M12
 P12
 R9
 R10
 R11
 R12
 M7
 M8
 N6
 N7
 N8
 N9
 R7
 R8
 P6
 P7
 R5
 R6
 L10

GCLK USB_12MHZ
 R75 49.9

XC7S25-1CSGA225C

IC1C

BANK 15

IO_0_15
 IO_L1P_T0_AD0P_15
 IO_L1N_T0_AD0N_15
 IO_L2P_T0_AD8P_15
 IO_L2N_T0_AD8N_15
 IO_L3P_T0_DQS_AD1P_15
 IO_L3N_T0_DQS_AD1N_15
 IO_L4P_T0_AD9P_15
 IO_L4N_T0_AD9N_15
 IO_L5P_T0_AD2P_15
 IO_L5N_T0_AD2N_15
 IO_L6P_T0_15
 IO_L6N_T0_VREF_15
 IO_L7P_T1_AD10P_15
 IO_L7N_T1_AD10N_15
 IO_L8P_T1_AD3P_15
 IO_L8N_T1_AD3N_15
 IO_L9P_T1_DQS_AD11P_15
 IO_L9N_T1_DQS_AD11N_15
 IO_L10P_T1_AD4P_15
 IO_L10N_T1_AD4N_15
 IO_L11P_T1_SRCC_AD12P_15
 IO_L11N_T1_SRCC_AD12N_15
 IO_L12P_T1_MRCC_AD5P_15
 IO_L12N_T1_MRCC_AD5N_15
 IO_L13P_T2_MRCC_15
 IO_L13N_T2_MRCC_15
 IO_L14P_T2_SRCC_15
 IO_L14N_T2_SRCC_15
 IO_L15P_T2_DQS_15
 IO_L15N_T2_DQS_15
 IO_L16P_T2_15
 IO_L16N_T2_15
 IO_L17P_T2_15
 IO_L17N_T2_15
 IO_L18P_T2_15
 IO_L18N_T2_15
 IO_L19P_T3_15
 IO_L19N_T3_VREF_15
 IO_L20P_T3_15
 IO_L20N_T3_15
 IO_L21P_T3_DQS_15
 IO_L21N_T3_DQS_15
 IO_L22P_T3_15
 IO_L22N_T3_15
 IO_L23P_T3_15
 IO_L23N_T3_15
 IO_L24P_T3_RS1_15
 IO_L24N_T3_RS0_15
 IO_25_15

D11
 C6
 C7
 D7
 D8
 B6
 A7
 C8
 C9
 A5
 A6
 A8
 A9
 D9
 D10
 C10
 B10
 B9
 A10
 B11
 B12
 A11 AIN33_P
 A12 AIN33_N
 A13 AIN32_P
 A14 AIN32_N
 B13
 B14
 C15
 B15
 C13
 C14
 D12
 D13
 F11
 E11
 E12
 E13
 E14
 D15
 G15
 F15
 F14
 E15
 G13
 G14
 G11
 G12
 H12
 H13
 H11

XC7S25-1CSGA225C

IC1D

BANK 34

IO_0_34
 IO_L1P_T0_34
 IO_L1N_T0_34
 IO_L2P_T0_34
 IO_L2N_T0_34
 IO_L3P_T0_DQS_34
 IO_L3N_T0_DQS_34
 IO_L4P_T0_34
 IO_L4N_T0_34
 IO_L5P_T0_34
 IO_L5N_T0_34
 IO_L6P_T0_34
 IO_L6N_T0_VREF_34
 IO_L7P_T1_34
 IO_L7N_T1_34
 IO_L8P_T1_34
 IO_L8N_T1_34
 IO_L9P_T1_DQS_34
 IO_L9N_T1_DQS_34
 IO_L10P_T1_34
 IO_L10N_T1_34
 IO_L11P_T1_SRCC_34
 IO_L11N_T1_SRCC_34
 IO_L12P_T1_MRCC_34
 IO_L12N_T1_MRCC_34
 IO_L13P_T2_MRCC_34
 IO_L13N_T2_MRCC_34
 IO_L14P_T2_SRCC_34
 IO_L14N_T2_SRCC_34
 IO_L15P_T2_DQS_34
 IO_L15N_T2_DQS_34
 IO_L16P_T2_34
 IO_L16N_T2_34
 IO_L17P_T2_34
 IO_L17N_T2_34
 IO_L18P_T2_34
 IO_L18N_T2_34
 IO_L19P_T3_34
 IO_L19N_T3_VREF_34
 IO_L20P_T3_34
 IO_L20N_T3_34
 IO_L21P_T3_DQS_34
 IO_L21N_T3_DQS_34
 IO_L22P_T3_34
 IO_L22N_T3_34
 IO_L23P_T3_34
 IO_L23N_T3_34
 IO_L24P_T3_34
 IO_L24N_T3_34
 IO_25_34

G4 PIO48
 A4 PIO47
 A3 PIO42
 B2 PIO41
 A2 PIO46
 B4 PIO45
 B3 PIO44
 C1 PIO43
 B1 PIO40
 C5
 B5
 D2 BTNO
 D1 BTNT
 D4
 C4
 E2 LED1
 E1 LED4
 E3
 D3 LED0_G
 F2 LED0_R
 F1 LED0_B
 F4 JA10
 F3 JA4
 H1 JA8
 G1 JA9
 H4 JA3
 H3 JA7
 J2 JA1
 H2 JA2
 T4
 T3
 K1 LED2
 J1 LED3
 K3
 K2
 M1
 L1 PIO01
 M4 PIO02
 N2 PIO03
 M3 PIO04
 N1 PIO05
 P3 PIO06
 N3 PIO07
 P1 PIO08
 N1 PIO09
 R4
 R3
 R2
 P2
 N4

XC7S25-1CSGA225C

Title Cmod S7		Rev B.0 Copyright 2018
Circuit FPGA BANKS	Doc# 500-376	
Engineer MTA	Author GMA	
Date 3/13/2018	Sheet# 3 out of 6	

This Page Left Intentionally Blank.

Title	Cmod S7	Rev	B.0
			Copyright 2018
Circuit	USB PROG/UART		
Doc#	500-376		
Engineer	MTA		
Author	GMA		
Date	3/13/2018		
Sheet#	5 out of 6		



X-ON Electronics

Largest Supplier of Electrical and Electronic Components

Click to view similar products for [Development Boards & Kits - Other Processors](#) category:

Click to view products by [Digilent](#) manufacturer:

Other Similar products are found below :

[KIT_AURIX_TC233LP_TRB](#) [EVB-MEC1418MECC](#) [SPC56XVTOP-M](#) [ADZS-BF506F-EZLITE](#) [ADZS-SADA2-BRD](#) [20-101-1252](#)
[T1023RDB-PC](#) [20-101-1267](#) [T1042D4RDB-PA](#) [ML610Q174](#) [REFERENCE BOARD](#) [MPC574XG-MB](#) [BSC9132QDS](#) [C29XPCIE-RDB](#)
[KIT_TC1793_SK](#) [CC-ACC-18M433](#) [P1010RDB-PB](#) [P1020RDB-PD](#) [P2020COME-DS-PB](#) [STM8S/32-D/RAIS](#) [T4240RDB-PB](#) [TRK-USB-](#)
[MPC5604B](#) [TWR-56F8200](#) [CY3674](#) [SPC58XXADPT176S](#) [MAX1464EVKIT](#) [TRK-MPC5606B](#) [RTE510Y470TGB00000R](#) [STM8128-](#)
[MCKIT](#) [MAXQ622-KIT#](#) [YRPBRL78G11](#) [SPC58EEMU](#) [QB-R5F10JGC-TB](#) [YQB-R5F11BLE-TB](#) [SPC564A70AVB176](#)
[RTE5117GC0TGB00000R](#) [QB-R5F100LE-TB](#) [YR0K50571MS000BE](#) [YQB-R5F1057A-TB](#) [QB-R5F104PJ-TB](#) [CC-ACC-ETHMX](#)
[LFM34INTPQA](#) [SPC563M64A176S](#) [Y-BLDC-SK-RL78F14](#) [P1021RDB-PC](#) [SPC58XCADPT176S](#) [RTE510MPG0TGB00000R](#)
[YRPBRX71M](#) [LFMAJ04PLT](#) [KITAURIXTC234LPSTRBTOBO1](#) [OV-7604-C7-EVALUATION-BOARD](#)