






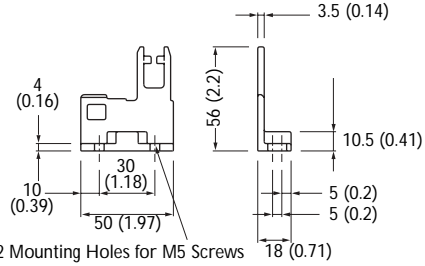

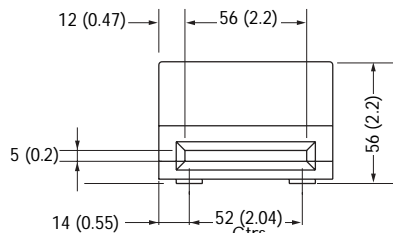

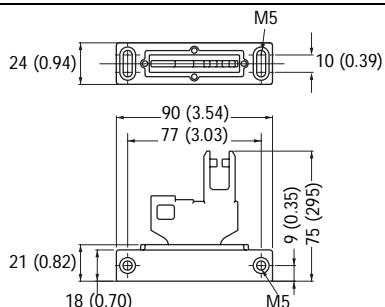


Accessories

440A-A07265...440A-A09197


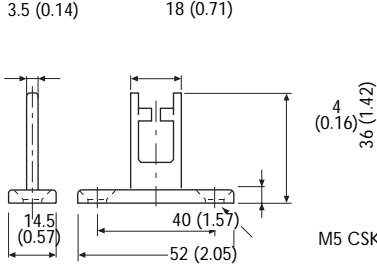

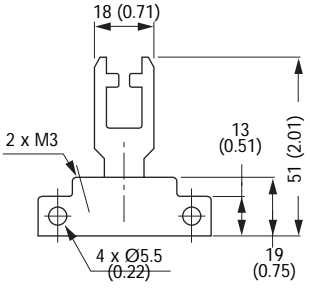

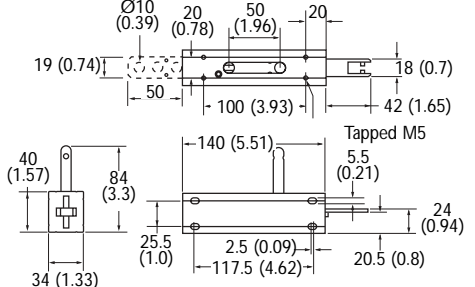


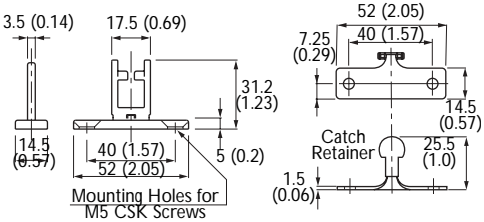

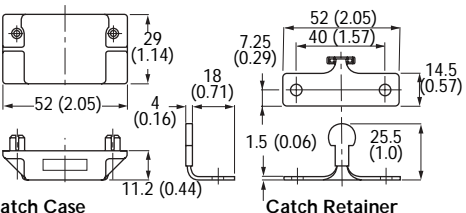
Item	Description	Catalogue Number
	Blanking Plug, M20 Conduit	440A-A07265
	Cable Grip, M16 Conduit Accommodates Cable Diameter 4mm (0.16in) to 7mm (0.27in)	440A-A09004
	Security Bit	440A-A09015
	Screwdriver Including Security Bit	440A-A09018
	Cable Grip, Pg16 Conduit Accommodates Cable Diameter 12mm (0.47in) to 14mm (0.55in)	440A-A09025
	Cable Grip, M20 Conduit Accommodates Cable Diameter 7mm (0.27in) to 10.5mm (0.41in)	440A-A09028
	Adaptor, Conduit, M20 to 1/2in NPT, Plastic	440A-A09042
	Bulb, 240V for Conduit Pilot Light 0.75W T-3/4 Bulb, Miniature Screw Base	440A-A09054
	Bulb, 110V for Conduit Pilot Light 2.6W T-3/4 Bulb, Miniature Screw Base	440A-A09055
	Bulb, 24V for Conduit Pilot Light 2.8W T-3/4 Bulb, Miniature Screw Base	440A-A09056
	Adaptor, Conduit, 1/2in NPT to M16, Brass	440A-A09093
	Adaptor, Conduit, M16 to 1/2in NPT, Brass	440A-A09094
	Fuse, 250mA Bussmann Catalogue Number ETF-250mA	440A-A09196
	Fuse, 2A Bussmann Catalogue Number ETF-2	440A-A09197

440A-A17029...440G-A07269


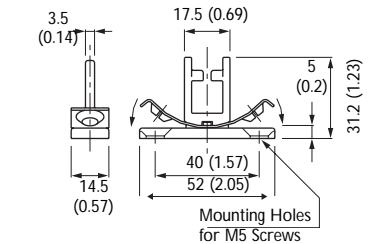

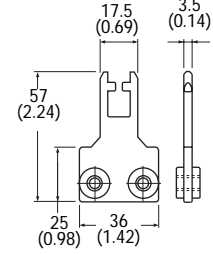

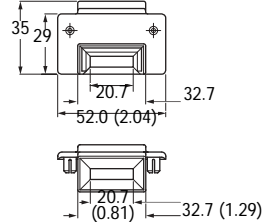

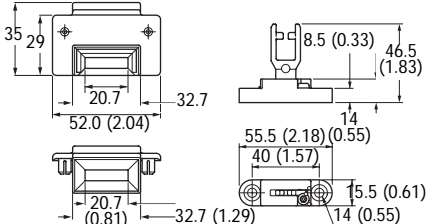

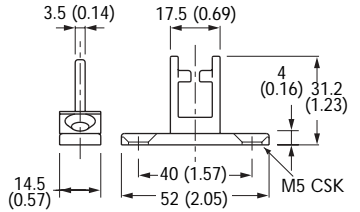

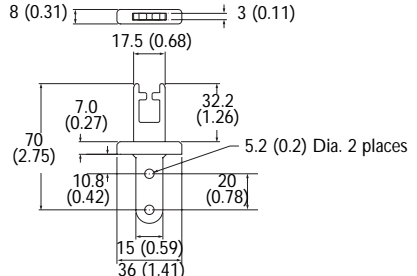
Item	Description	Approximate Dimensions—mm (inches)	Catalogue Number
	Screw Pack (16 Security Screws M4 x 20mm & Bit)	—	440A-A17029
	Screw Pack (10 Security Screws M5 x 20mm & Bit)	—	440A-A17030
	Indicator, M20 Conduit Pilot Light—Amber	—	440A-A19001
	Indicator, M20 Conduit Pilot Light—Red	—	440A-A19002
	Indicator, 1/2in NPT Conduit Pilot Light—Amber	—	440A-A19005
	Indicator, 1/2in NPT Conduit Pilot Light—Red	—	440A-A19007
	Atlas Standard Actuator		440G-A07136
	Atlas Replacement End Cap		440G-A07180
	Atlas Fully Flex Actuator		440G-A07269

Accessories

440G-A27011...440K-A11094


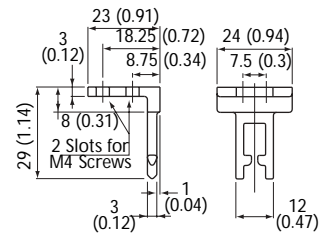

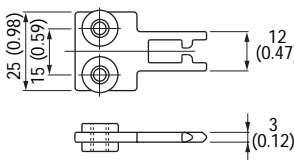

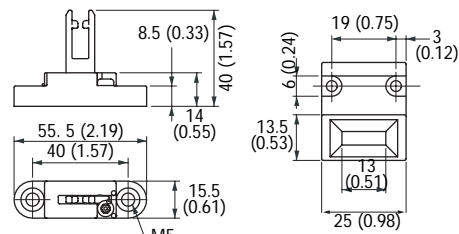

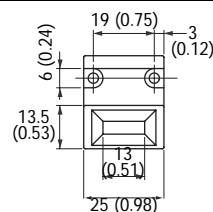

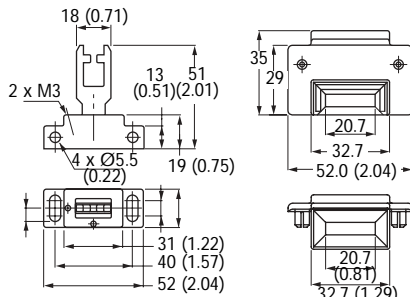

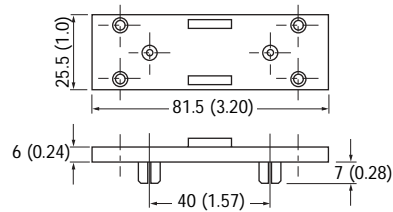

Item	Description	Approximate Dimensions—mm (inches)	Catalogue Number
	GD2 Standard Actuator (GD2 model only)	 <p>3.5 (0.14) 18 (0.71)</p> <p>14.5 (0.57) 40 (1.57) 52 (2.05)</p> <p>4 (0.16) 3.6 (1.42)</p> <p>M5 CSK</p>	440G-A27011
	Fully-Flexible Actuator (GD2 model only)	 <p>18 (0.71)</p> <p>2 x M3</p> <p>13 (0.51) 51 (2.01)</p> <p>4 x Ø5.5 (Ø2.2)</p> <p>19 (0.75)</p>	440G-A27143
	Sliding Bolt Actuator (GD2 model only)	 <p>Ø10 (0.39) 20 (0.78) 50 (1.96) 20</p> <p>19 (0.74) 50 100 (3.93) 18 (0.7)</p> <p>40 (1.57) 84 (3.3) 140 (5.51) Tapped M5</p> <p>25.5 (1.0) 2.5 (0.09) 5.5 (0.21) 24 (0.94)</p> <p>34 (1.33) 117.5 (4.62) 20.5 (0.8)</p>	440G-A27163
	Spartan/TLS-GD2/ 440G-MT Solenoid Emergency Override	—	440G-A36026
	Spartan Replacement Actuator with Catch Retainer and Guide	 <p>3.5 (0.14) 17.5 (0.69) 52 (2.05)</p> <p>14.5 (0.57) 40 (1.57) 52 (2.05)</p> <p>7.25 (0.29) 40 (1.57) 31.2 (1.23)</p> <p>5 (0.2) 14.5 (0.57)</p> <p>25.5 (1.0)</p> <p>1.5 (0.06)</p> <p>Mounting Holes for M5 CSK Screws</p> <p>Catch Retainer</p>	440G-A36050
	T15/Trojan 5/Trojan 6 Catch and Retainer Kit (Standard Model Only)	 <p>29 (1.14) 52 (2.05) 4 (0.16) 18 (0.71)</p> <p>7.25 (0.29) 52 (2.05) 40 (1.57) 14.5 (0.57)</p> <p>11.2 (0.44) 1.5 (0.06) 25.5 (1.0)</p> <p>Catch Case Catch Retainer</p>	440K-A11094

Accessories
440K-A11095...440K-A17116

Item	Description	Approximate Dimensions—mm (inches)	Catalogue Number
	Trojan 5 and Trojan 6 Standard Actuator (Standard Model Only)	 <p>3.5 (0.14) 17.5 (0.69) 5 (0.2) 31.2 (1.23) 14.5 (0.57) 40 (1.57) 52 (2.05) Mounting Holes for M5 Screws</p>	440K-A11095
	Trojan/440G-MT/TLS-GD2/MT-GD2 Flat Actuator	 <p>17.5 (0.69) 3.5 (0.14) 57 (2.24) 25 (0.98) 36 (1.42)</p>	440K-A11112
	Replacement Alignment Guide	 <p>35 29 20.7 52.0 (2.04) 32.7 20.7 (0.81) 32.7 (1.29)</p>	440K-A11115
	Trojan Alignment Guide with Semi-Flexible Actuator (Discard the Alignment Guide for GD2)	 <p>35 29 20.7 52.0 (2.04) 32.7 8.5 (0.33) 46.5 (1.83) 14 55.5 (2.18) (0.55) 40 (1.57) 15.5 (0.61) 14 (0.55) 20.7 (0.81) 32.7 (1.29)</p>	440K-A11144
	Trojan T15 Standard Actuator (Standard model only)	 <p>3.5 (0.14) 17.5 (0.69) 4 (0.16) 31.2 (1.23) 14.5 (0.57) 40 (1.57) 52 (2.05) M5 CSK</p>	440K-A11238
	440G-MT/TLS-GD2/Trojan/MT-GD2 Extended Flat Actuator	 <p>8 (0.31) 3 (0.11) 17.5 (0.68) 7.0 (0.27) 32.2 (1.26) 70 (2.75) 10.8 (0.42) 20 (0.78) 5.2 (0.2) Dia. 2 places 15 (0.59) 36 (1.41)</p>	440K-A17116

Accessories

440K-A21006...440R-A31562

Description		Approximate Dimensions—mm (inches)	Catalogue Number
	<p>Elf/Cadet 90° Actuator</p>		<p>440K-A21006</p>
	<p>Elf/Cadet Flat Actuator</p>		<p>440K-A21014</p>
	<p>Elf/Cadet GD2 Metal Alignment Guide with Semi-Flexible Actuator</p>		<p>440K-A21030</p>
	<p>Elf/Cadet Alignment Guide</p>		<p>440K-A21069</p>
	<p>TLS-GD2/Trojan/ MT-GD2 Alignment Guide with Fully-Flexible Actuator (Discard the Alignment Guide for GD2)</p>		<p>440K-A27010</p>
	<p>Mounting Plate</p>		<p>440K-A33624</p>
	<p>Fuse, 500mA Bussmann Catalogue Number ETF-500mA</p>	<p>—</p>	<p>440R-A31562</p>

X-ON Electronics

Largest Supplier of Electrical and Electronic Components

Click to view similar products for [Emergency Stop Switches / E-Stop Switches](#) category:

Click to view products by [Guard Master](#) manufacturer:

Other Similar products are found below :

[84-5021.2B40](#) [84-6830.0020](#) [A01ESSP8](#) [A22EL-M-24A-11B](#) [AVN302N-R](#) [A165E-S-01\(STOP\)](#) [AYLD2212602SN-R-TK962](#)
[AVLD39911N-R-24V](#) [A22Z-EG22](#) [A165E-SY](#) [3100.0110Y](#) [3050.1302Y](#) [3SE2243-0XX40](#) [3SK1111-2AB30](#) [3SK1211-1BB40](#) [44-710](#) [84-](#)
[6841.2B20](#) [84-6830.0040](#) [H3141AAKAA](#) [A165E-R-24D-01](#) [E3102AAAAB](#) [A22E-M-03](#) [ZA2BV05](#) [A22EL-M-T2-01](#) [951FY000-WO](#)
[ER6022-022N](#) [952+2000-00](#) [ES3S51653](#) [601+0000-OP](#) [E3101AAAAB](#) [84-5130.0040](#) [CS AR-05V024](#) [CS AR-22V024](#) [DS AE1VA](#) [DS](#)
[KB2A](#) [DS KB3A](#) [HE2G-21SHE-L-K](#) [HE6B-M211Y](#) [774191](#) [774316](#) [777760](#) [R1.100.0129.0 SMA0129- NO/NO](#) [R1.188.0640.0 SNV](#)
[4063KL-A](#) [R1.188.1810.0 SNA 4043K-A](#) [R1.188.1840.0 SNA 4043K-A](#) [SR BD40ALK-B02F](#) [AVLW39911D-R-120V](#) [AYD311NUG](#)
[AVLD32211DNUR](#) [84-5040.0020.0049](#)