



<b>Identification</b>	Type	USB-3.0 A/A F/F
	Part-No.	490112

<b>Description</b>	USB 3.0 panel connector with M22 thread for front installation
	USB 3.0 female / female Type A/A
	Type: USB-3.0 A/A F/F

<b>Technical data</b>	
Rated voltage $U_N$	AC/DC 5 V
Rated voltage max.	30 V
Rated current	0.9 A
Pole number	9
Transfer rate	5 Gbit/s
USB standard	3.0
Contact type	1 : 1
Shielding	shielded

<b>General</b>	
Degree of pollution	3
Insulation resistance	> 100 M $\Omega$
Contact resistance	< 30 m $\Omega$
Protection class	IP65 and NEMA UL Type 12 in closed and IP20 in inserted condition

13.08.2018 – Subject to technical modification

Part-No. 490112

USA: LUTZE INC.

13330 South Ridge Drive • Charlotte, NC 28273, USA  
Tel. +1 (704) 504-0222 • Fax +1 (704) 504-0223  
www.lutze.com • info@lutze.com

United Kingdom: LÜTZE Ltd.

Unit 3, Sandy Hill Park  
Sandy Way, Amington • GB-Tamworth, Staffs B77 4DU  
Tel. +44 (0)1827 31333-0 • Fax +44 (0)1827 31333-2  
www.lutze.com • sales.gb@lutze.co.uk

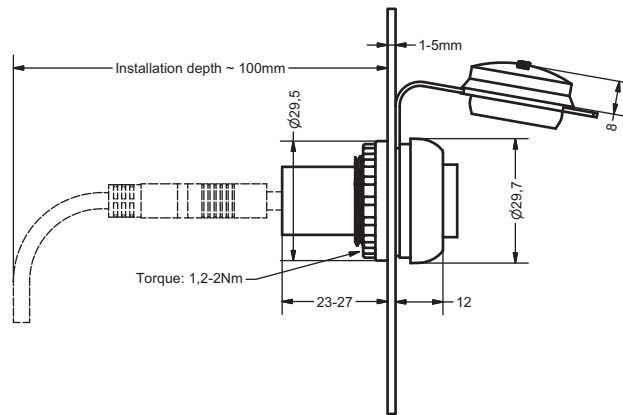


## Technical data sheet • Actuator sensor interface

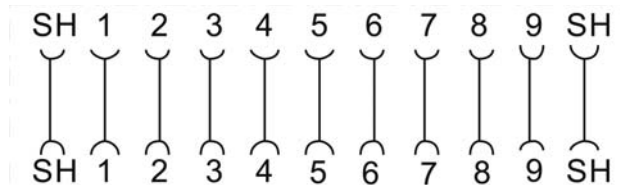
Housing material	PA, PVC
Cover	TPU
Contact material	CuSn, gold-plated
Mounting	Front installation
Installation depth	100 mm
Operation temperature range	-20 °C ... +70 °C
Storage temperature range	-25 °C ... +80 °C
Dimensions (Ø×d)	29.5 × 42.5 mm
Mechanical service life	>100 insertion cycles
Weight	0.009 kg/piece
Approvals	cULus (E326112)
PU	1 piece

**Comments** Included in the delivery: captive safety cap

### Dimensions



### PIN assignment



13.08.2018 – Subject to technical modification

Part-No. 490112

USA: LUTZE INC.

13330 South Ridge Drive • Charlotte, NC 28273, USA

Tel. +1 (704) 504-0222 • Fax +1 (704) 504-0223

www.lutze.com • info@lutze.com

United Kingdom: LÜTZE Ltd.

Unit 3, Sandy Hill Park

Sandy Way, Amington • GB-Tamworth, Staffs B77 4DU

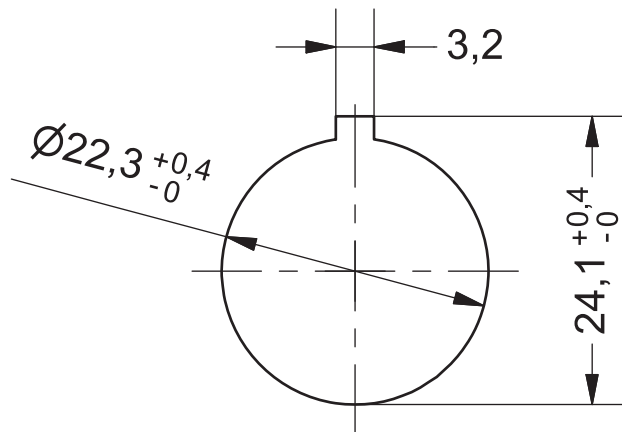
Tel. +44 (0)1827 31333-0 • Fax +44 (0)1827 31333-2

www.lutze.com • sales.gb@lutze.co.uk

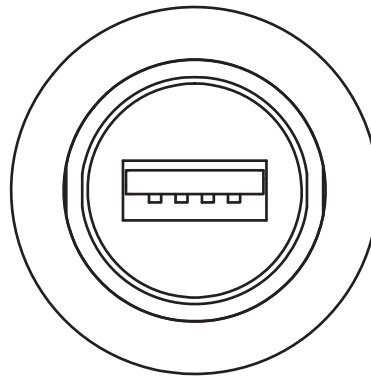


SYSTEMATIC TECHNOLOGY

Mounting diagram



front view



Symbols



13.08.2018 – Subject to technical modification

Part-No. 490112

USA: LUTZE INC.

13330 South Ridge Drive • Charlotte, NC 28273, USA  
Tel. +1 (704) 504-0222 • Fax +1 (704) 504-0223  
www.lutze.com • info@lutze.com

United Kingdom: LÜTZE Ltd.

Unit 3, Sandy Hill Park  
Sandy Way, Amington • GB-Tamworth, Staffs B77 4DU  
Tel. +44 (0)1827 31333-0 • Fax +44 (0)1827 31333-2  
www.lutze.com • sales.gb@lutze.co.uk

## X-ON Electronics

Largest Supplier of Electrical and Electronic Components

*Click to view similar products for [LED Lighting Mounting Accessories](#) category:*

*Click to view products by [LUTZE](#) manufacturer:*

Other Similar products are found below :

[C16142\\_HEKLA-SOCKET-K](#) [3SU1401-1BF20-3AA0](#) [3SU1401-1BF60-3AA0](#) [3SU1900-0BC31-0AA0](#) [3SU1900-0BC31-0NB0](#) [2213118-2](#)  
[3SU1401-2BB20-1AA0](#) [3SU1401-2BB40-1AA0](#) [3SU1401-2BB60-1AA0](#) [3SU1401-2BB60-3AA0](#) [1SFA616921R2131](#) [1SFA616921R2132](#)  
[1SFA616921R2133](#) [1SFA611621R1033](#) [1SFA611621R1091](#) [23110022](#) [23110040](#) [23120022](#) [23130000](#) [68550022](#) [68550040](#) [70290000](#)  
[70290022](#) [70290040](#) [70300022](#) [70300040](#) [76620000](#) [76990022](#) [77280022](#) [77980022](#) [77990001](#) [77990002](#) [77990040](#) [83130001](#) [83130040](#)  
[83150001](#) [83150022](#) [83150040](#) [83980001](#) [83980040](#) [83990001](#) [83990022](#) [83990040](#) [84040022](#) [84510002](#) [86050038](#) [86180003](#) [89080002](#)  
[89080022](#) [89140002](#)