



Identification	Type	USB-3.0 A/A F/M 0,3m PVC
	Part-No.	490113.0030
Description	USB 3.0 panel connector with M22 thread for front installation USB connector Type A on straight USB plug Type A with PVC cable Type: USB-3.0 A/A	
Technical data		
Rated voltage U_N	AC/DC 5 V	
Rated voltage max.	30 V	
Rated current	0.9 A	
Pole number	9	
Cable length	0.3 m	
Transfer rate	5 Gbit/s	
USB standard	3.0	
Contact type	1 : 1	
Shielding	shielded	
General		
Form male 1	USB 3.0 female Type A	

13.08.2018 – Subject to technical modification

Part-No. 490113.0030

USA: LUTZE INC.

13330 South Ridge Drive • Charlotte, NC 28273, USA
Tel. +1 (704) 504-0222 • Fax +1 (704) 504-0223
www.lutze.com • info@lutze.com

United Kingdom: LÜTZE Ltd.

Unit 3, Sandy Hill Park
Sandy Way, Amington • GB-Tamworth, Staffs B77 4DU
Tel. +44 (0)1827 31333-0 • Fax +44 (0)1827 31333-2
www.lutze.com • sales.gb@lutze.co.uk

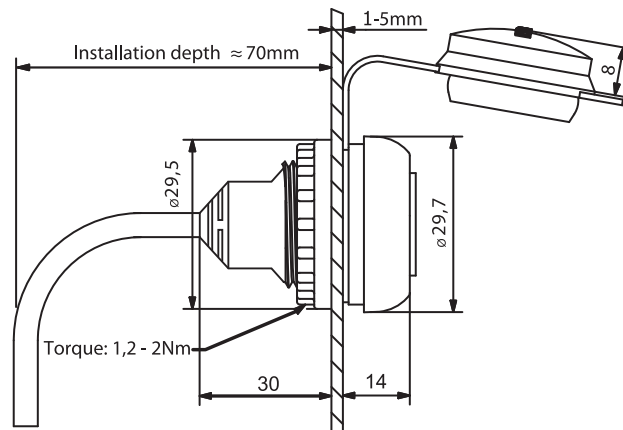


Technical data sheet • Actuator sensor interface

Form male 2	USB 3.0 male Type A
Degree of pollution	3
Contact resistance	< 30 mΩ
Protection class	IP65 and NEMA UL Type 12 in closed and IP20 in inserted condition
Housing material	PA, PVC
Cover	TPU
Contact material	CuSn, gold-plated
Mounting	Front installation
Installation depth	70 mm
Number of conductors/cross-section	(2×AWG24 + 1×2×AWG28 + 2×(1×2×AWG28)St)StC
Jacket material	PVC
Jacket color	black
Cable diameter	6.1 mm
Bending radius	6 × D
Operation temperature range	-5 °C ... +70 °C
Temperature range fixed	-25 °C ... +80 °C
Temperature range moving	-5 °C ... +70 °C
Dimensions (∅×d)	29.5 × 45 mm
Mechanical service life	1500 insertion cycles
Weight	0.046 kg/piece
Approvals	cULus (E326112)
PU	1 piece

Comments Included in the delivery: captive safety cap

Dimensions



13.08.2018 – Subject to technical modification

Part-No. 490113.0030

USA: LUTZE INC.

13330 South Ridge Drive • Charlotte, NC 28273, USA

Tel. +1 (704) 504-0222 • Fax +1 (704) 504-0223

www.lutze.com • info@lutze.com

United Kingdom: LÜTZE Ltd.

Unit 3, Sandy Hill Park

Sandy Way, Amington • GB-Tamworth, Staffs B77 4DU

Tel. +44 (0)1827 31333-0 • Fax +44 (0)1827 31333-2

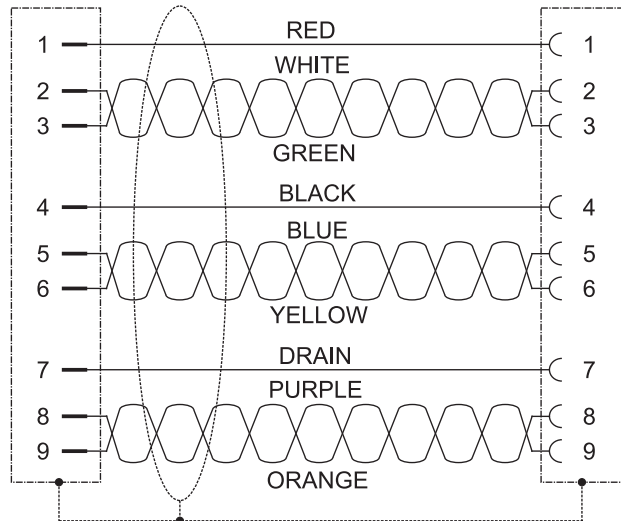
www.lutze.com • sales.gb@lutze.co.uk



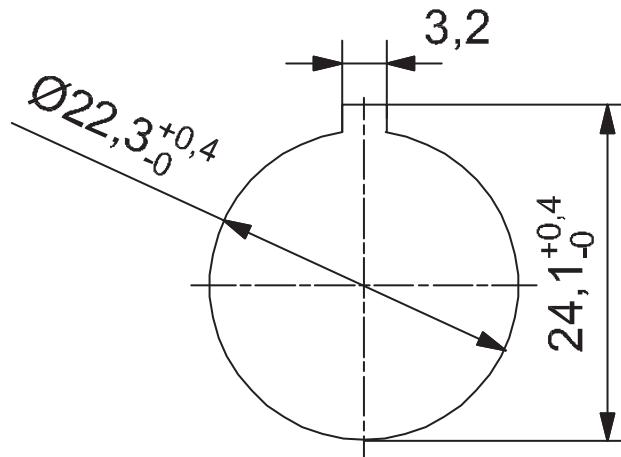
SYSTEMATIC TECHNOLOGY

Technical data sheet • Actuator sensor interface

PIN assignment



Mounting diagram



13.08.2018 – Subject to technical modification

Part-No. 490113.0030

USA: LUTZE INC.

13330 South Ridge Drive • Charlotte, NC 28273, USA

Tel. +1 (704) 504-0222 • Fax +1 (704) 504-0223

www.lutze.com • info@lutze.com

United Kingdom: LÜTZE Ltd.

Unit 3, Sandy Hill Park

Sandy Way, Amington • GB-Tamworth, Staffs B77 4DU

Tel. +44 (0)1827 31333-0 • Fax +44 (0)1827 31333-2

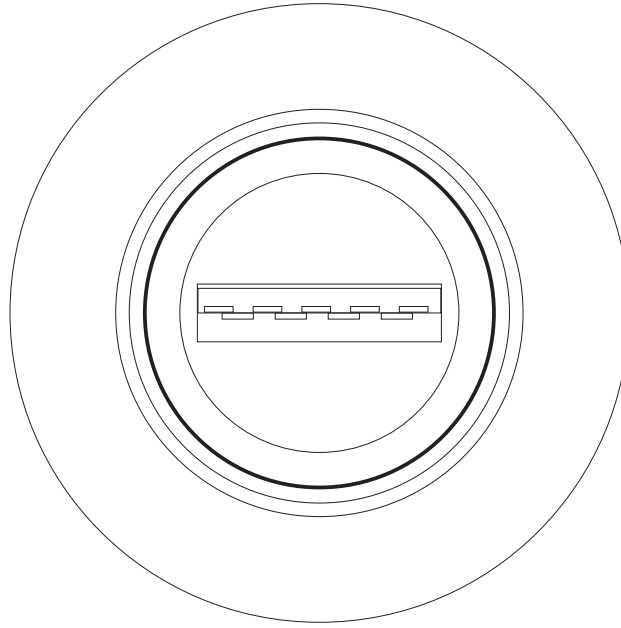
www.lutze.com • sales.gb@lutze.co.uk



SYSTEMATIC TECHNOLOGY

Technical data sheet • Actuator sensor interface

Front view



Symbols



13.08.2018 – Subject to technical modification

Part-No. 490113.0030

USA: LUTZE INC.

13330 South Ridge Drive • Charlotte, NC 28273, USA

Tel. +1 (704) 504-0222 • Fax +1 (704) 504-0223

www.lutze.com • info@lutze.com

United Kingdom: LÜTZE Ltd.

Unit 3, Sandy Hill Park

Sandy Way, Amington • GB-Tamworth, Staffs B77 4DU

Tel. +44 (0)1827 31333-0 • Fax +44 (0)1827 31333-2

www.lutze.com • sales.gb@lutze.co.uk

X-ON Electronics

Largest Supplier of Electrical and Electronic Components

Click to view similar products for [LED Lighting Mounting Accessories](#) category:

Click to view products by [LUTZE](#) manufacturer:

Other Similar products are found below :

[C16142_HEKLA-SOCKET-K](#) [3SU1401-1BF20-3AA0](#) [3SU1401-1BF60-3AA0](#) [3SU1900-0BC31-0AA0](#) [3SU1900-0BC31-0NB0](#) [2213118-2](#)
[3SU1401-2BB20-1AA0](#) [3SU1401-2BB40-1AA0](#) [3SU1401-2BB60-1AA0](#) [3SU1401-2BB60-3AA0](#) [1SFA616921R2131](#) [1SFA616921R2132](#)
[1SFA616921R2133](#) [1SFA611621R1033](#) [1SFA611621R1091](#) [23110022](#) [23110040](#) [23120022](#) [23130000](#) [68550022](#) [68550040](#) [70290000](#)
[70290022](#) [70290040](#) [70300022](#) [70300040](#) [76620000](#) [76990022](#) [77280022](#) [77980022](#) [77990001](#) [77990002](#) [77990040](#) [83130001](#) [83130040](#)
[83150001](#) [83150022](#) [83150040](#) [83980001](#) [83980040](#) [83990001](#) [83990022](#) [83990040](#) [84040022](#) [84510002](#) [86050038](#) [86180003](#) [89080002](#)
[89080022](#) [89140002](#)