

Drg No :- C 44441

# INSTALLATION DRAWING

ISSUE	REVISION	DATE
1	FIRST ISSUE	10/12/01

## SPECIFICATION

ACTUATING FORCE :- 7.2N (26ozf) MAX

RELEASE FORCE :- 1.7N (6ozf) MIN

FREE POSITION :- 40.8 (1.6) MAX

OPERATING POSITION :- 39.3±0.4 (1.55)

MOVEMENT DIFFERENTIAL :- 0.08(.003)MAX

OVERTRAVEL(AVAILABLE) :- 4.6 (.18)

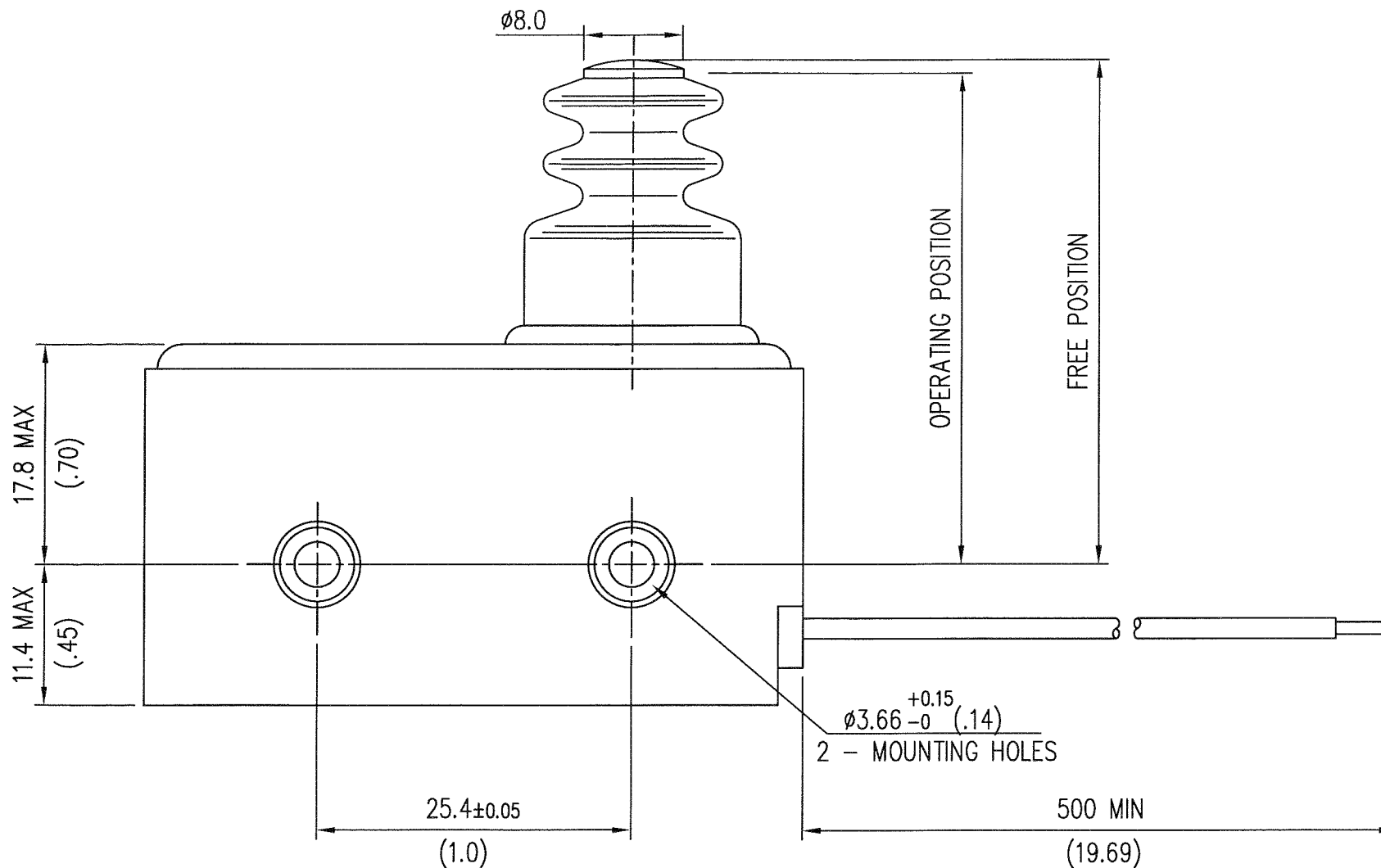
FORCE EXERTED AT FULL OVERTRAVEL :- 16.7N (60ozf)MAX

SWITCH SEALED AND INSPECTED TO A PRESSURE OF 20.7 KN/m<sup>2</sup>

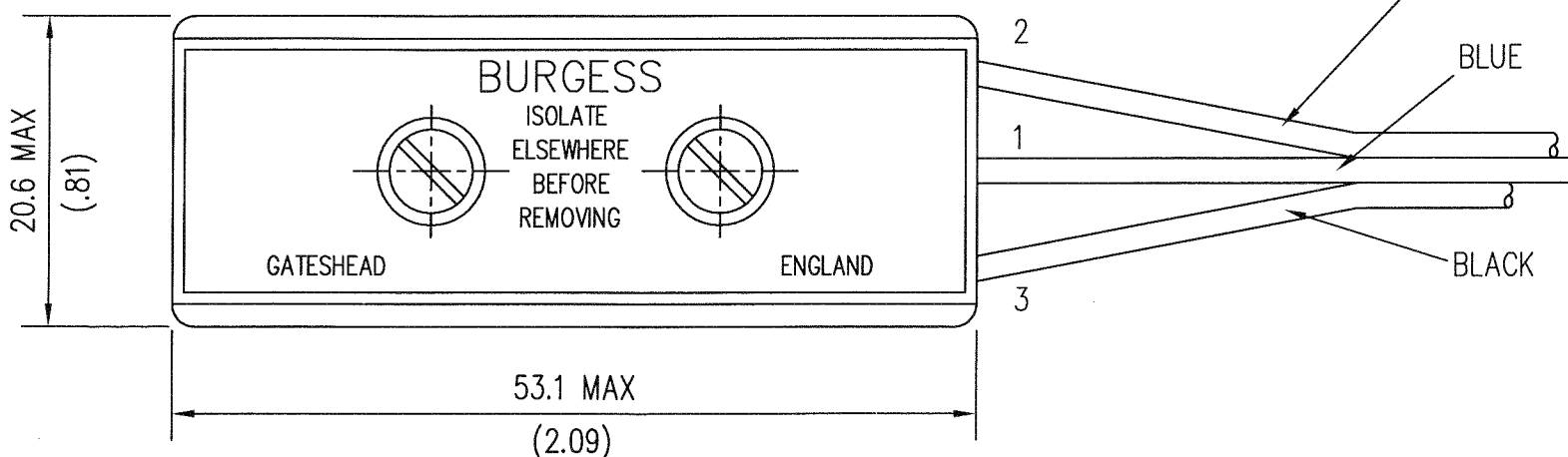
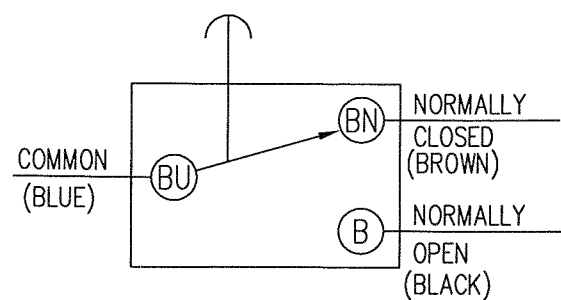
SPECIAL FEATURE:-

4BR/510 FITTED WITH 18AWG UL CABLES.

RS STOCK NUMBER :- 414 5652



## DIAGRAM OF CONNECTIONS



1	2	3	4	5	6	7	8	9
---	---	---	---	---	---	---	---	---

**SAIA-Burgess Electronics**

SWITCHES • MOTORS • CONTROLLERS

SAIA-Burgess Electronics Limited  
Dukesway, Team Valley Trading Estate  
Gateshead, Tyne & Wear NE11 0UB  
Tel: (0191)4016100, Fax: (0191)4016322



**DO NOT SCALE !**  
This drawing must only be amended on CAD system

TOLERANCES UNLESS STATED:-  
NO DECIMAL PLACE ±0.50 1 DECIMAL PLACES ±0.25  
2 DECIMAL PLACES ±0.15 ANGULAR ±1°  
INCH - OUNCE UNITS (IN BRACKETS)

ALL DIMENSIONS SPECIFIED IN MILLIMETRES

DRAWN	D.J.C.	Approved	
DATE	10/12/01	DRAWING OFFICE	<i>[Signature]</i>
SCALE	2 : 1	ENGINEERING	<i>[Signature]</i>
DATE ISSUED		QUALITY ASSURANCE	<i>[Signature]</i>

TITLE / DESCRIPTION  
**4BRSH**

Drg No :- C 44441 **A3**

## X-ON Electronics

Largest Supplier of Electrical and Electronic Components

*Click to view similar products for [Basic / Snap Action Switches](#) category:*

*Click to view products by [Saia-Burgess](#) manufacturer:*

Other Similar products are found below :

[83228001](#) [01.098.1358.1](#) [602EN1-6B](#) [602EN532](#) [602EN535-RB](#) [602HE5-RB1](#) [604HE162](#) [604HE223-6B](#) [624HE17-RB](#) [6HM89](#) [6PA78-JM](#)  
[6SE1](#) [6SX1-H58](#) [70500840](#) [MBD5B1](#) [MBH2731](#) [73-316-0012](#) [79211759](#) [79211923](#) [79218589](#) [7AS12](#) [ML-1155](#) [ML-1376](#) [831010C3.0](#)  
[831060C3.TL](#) [831090C2.EL](#) [83131904](#) [84212012](#) [8AS239](#) [8HM73-3](#) [903VB1-PG](#) [914CE1-6G](#) [PL-100](#) [11SM1077-H4](#) [11SM1077-H58](#)  
[11SM1-TN107](#) [11SM405](#) [11SM703-T](#) [11SM8423-H2](#) [11SX37-T](#) [11SX48-H58](#) [11SX55-H58](#) [11SM2442-T](#) [11SM76-T](#) [11SM77-H58](#)  
[11SM77-T](#) [11SM863-T](#) [11SM866](#) [11SX47-H58](#) [A7CN-1M-1-LEFT](#)