

# Amphenol

## Circular Interconnects

### ECTA 544 Plastic Circular Push-Pull IP67 Connector System with Crimp Contacts

#### Materials

Shells – Thermoplastic UL94V-0  
 Contacts – Copper Alloy  
 Contact Plating – Gold over Nickel  
 Inserts – Thermoplastic UL94V-0

#### Mechanical

Temp Range – -40°C ~ 125°C  
Durability  
 Machined Contacts – 1000 Cycles  
 Stamped Contacts – 250 Cycles



#### Also Available

Polarization – 3 Positions  
 Contacts – Fibre Optic and Coaxial  
 Right Angle Plugs & In-Line Receptacles

#### Related Information

Tools – Catalogue ECTA 544

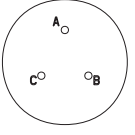
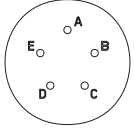
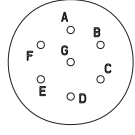
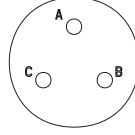
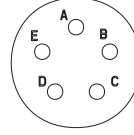
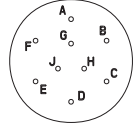
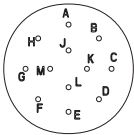
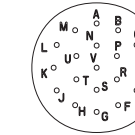
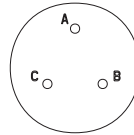
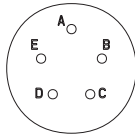
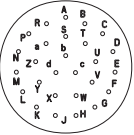
Contacts for Connectors must be ordered separately see below

Plug ØD		Backshell		Mating Halves ( If Plug has Pins, Receptacle must have Sockets)			
Shell	mm	Type	Cable Ø	In-Line Plug includes backshell		Square Flange Receptacle	
1	24.8	MDA	2~6mm				
		MDB	4~8mm				
2	32.5	MDA	7~12mm				
		MDB	10~14mm				
3	38.8	MDA	9~16mm				
		MDB	13~18mm				

Inserts	Part Number				Part Number	
	Sockets	Pins	Sockets	Pins	Sockets	Pins
103	5440MDA103F	5440MDA103M	5440MDB103F	5440MDB103M	5440E103F	5440E103M
105	5440MDA105F	5440MDA105M	5440MDB105F	5440MDB105M	5440E105F	5440E105M
107	5440MDA107F	5440MDA107M	5440MDB107F	5440MDB107M	5440E107F	5440E107M
203	5440MDA203F	5440MDA203M	5440MDB203F	5440MDB203M	5440E203F	5440E203M
205	5440MDA205F	5440MDA205M	5440MDB205F	5440MDB205M	5440E205F	5440E205M
209	5440MDA209F	5440MDA209M	5440MDB209F	5440MDB209M	5440E209F	5440E209M
212	5440MDA212F	5440MDA212M	5440MDB212F	5440MDB212M	5440E212F	5440E212M
219	5440MDA219F	5440MDA219M	5440MDB219F	5440MDB219M	5440E219F	5440E219M
293	5440MDA293F	5440MDA293M	5440MDB293F	5440MDB293M	5440E293F	5440E293M
295	5440MDA295F	5440MDA295M	5440MDB295F	5440MDB295M	5440E295F	5440E295M
327	5440MDA327F	5440MDA327M	5440MDB327F	5440MDB327M	5440E327F	5440E327M



#### Inserts

Insert Representation Inserts Shown from the Plug Mating Side						
Insert Contacts Rating	103 3 1000V/5A or 10A	105 5 630V/5A or 10A	107 7 630V/5A or 10A	203 3 1000V/25A	205 5 800V/25A	209 9 630V/5A or 10A
Insert Representation Inserts Shown from the Plug Mating Side						
Insert Contacts Rating	212 12 630V/5A or 10A	219 19 630V/5A or 10A	293 3 1000V/15A	295 5 1000V/15A	327 27 630V/5A or 10A	

#### Crimp Contacts

Machined Contacts					Stamped Contacts				
Part Numbers		Wire Ø Max	Contacts /Package	Current	Part Numbers		Wire Ø Max	Contacts /Package	Current
Pins	Sockets				Pins	Sockets			
5440020M100	5440020F100	2.6	100	10A	5440220M100	5440220F100	1.52	100	5A
5440016M100	5440016F100	3.2		15A	5440320M100	5440320F100	1.02		
5440012M100	5440012F100	4.5		25A	Consult representative for Crimp Toll requirements. Contacts on Strips available.				

#### Accessories

	Caps				Description	Shell	Part Number	
	For Receptacles		For Plugs					
	Shell Size	Part Number	Shell Size	Part Number				
	1	54401BE	1	54401BM	1	5440T01		
	2	54402BE	2	54402BM	2	5440T02		
	3	54403BE	3	54403BM	3	5440T03		
	Part Number	Shell	Description		Description		Shell	Part Number
	5440JT01	1	O Ring Seal for Receptacles		Insert/Extract Tool to Disconnect Insert and Extract Contacts		1	5440OT01
	5440JT02	2					2	5440OT02
	5440JT03	3					3	5440OT03

AirLB

Current indicated as maximum/contact at 40°C. IP67

### ECTA 133 Metal Circular Push-Pull IP67 Connector System

#### Materials

- Shells – Aluminum Alloy
- Shell Plating – Nickel
- Locking Ring – Black Anodized
- Contacts – Copper Alloy
- Contact Plating – Gold over Nickel
- Inserts – Fiber Glass UL94-V0

#### Also Available

- Terminations – Crimp and PCB
- Polarization – 4 Positions
- Shells – Various *next page*
- Other – Fibre Optic Inserts

#### Mechanical

- Temp Range – -40°C ~ 125°C
- Durability – 1000 Cycles

#### Related Information

- Full Catalogue – ECTA 133
- Accessories – Next Page
- Tools – Catalogue ECTA 133

Connector Solutions below are Solder Terminated Standard Polarization (for Crimp replace 'Z' with 'S' and for PCB with 'Y')

Plug ØD		Mating Halves (Plug mates with any one type of Receptacle. If Plug has Pins, Receptacle must have Sockets)															
Shell	mm	Receptacle				Requires Backshell		Plug									
0	15																
1	20																
2	24																
3	26																
4	30.5																
5	36																
6	49.8																
7	56.2																
Inserts										Square Flange		Jam Nut		In-Line		In-Line	
Power	Signal									Sockets	Pins	Sockets	Pins	Sockets	Pins	Sockets	Pins
	003									1332E003FZ	1332E003MZ	1332EV003FZ	1332EV003MZ	1332P003FZ	1332P003MZ	1332M003FZ	1332M003MZ
	006									1332E006FZ	1332E006MZ	1332EV006FZ	1332EV006MZ	1332P006FZ	1332P006MZ	1332M006FZ	1332M006MZ
	103									1332E103FZ	1332E103MZ	1332EV103FZ	1332EV103MZ	1332P103FZ	1332P103MZ	1332M103FZ	1332M103MZ
103										1331E103FZ	1331E103MZ	1331EV103FZ	1331EV103MZ	1331P103FZ	1331P103MZ	1331M103FZ	1331M103MZ
	107	1332E107FZ	1332E107MZ	1332EV107FZ	1332EV107MZ	1332P107FZ	1332P107MZ	1332M107FZ	1332M107MZ								
193		1331E193FZ	1331E193MZ	1331EV193FZ	1331EV193MZ	1331P193FZ	1331P193MZ	1331M193FZ	1331M193MZ								
	204	1332E204FZ	1332E204MZ	1332EV204FZ	1332EV204MZ	1332P204FZ	1332P204MZ	1332M204FZ	1332M204MZ								
205		1331E205FZ	1331E205MZ	1331EV205FZ	1331EV205MZ	1331P205FZ	1331P205MZ	1331M205FZ	1331M205MZ								
	212	1332E212FZ	1332E212MZ	1332EV212FZ	1332EV212MZ	1332P212FZ	1332P212MZ	1332M212FZ	1332M212MZ								
295		1331E295FZ	1331E295MZ	1331EV295FZ	1331EV295MZ	1331P295FZ	1331P295MZ	1331M295FZ	1331M295MZ								
303		1331E303FZ	1331E303MZ			1331P303FZ	1331P303MZ	1331M303FZ	1331M303MZ								
	319	1332E319FZ	1332E319MZ			1332P319FZ	1332P319MZ	1332M319FZ	1332M319MZ								
405		1331E405FZ	1331E405MZ			1331P405FZ	1331P405MZ	1331M405FZ	1331M405MZ								
	426	1332E426FZ	1332E426MZ			1332P426FZ	1332P426MZ	1332M426FZ	1332M426MZ								
	541	1332E541FZ	1332E541MZ			1332P541FZ	1332P541MZ	1332M541FZ	1332M541MZ								
605		1331E605FZ	1331E605MZ			1331P605FZ	1331P605MZ	1331M605FZ	1331M605MZ								
706		1331E706FZ	1331E706MZ			1331P706FZ	1331P706MZ	1331M706FZ	1331M706MZ								

#### Inserts





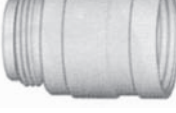

Insert Representation Inserts Shown from the Plug Mating Side						
Inserts Contacts Rating	003 3 500V/7.5A	006 6 320V/5A	103 3 500V/10A	103 2+PE 1000V/13A	107 7 500V/7.5A	193 2+PE 800V/13A
Insert Representation Inserts Shown from the Plug Mating Side						
Inserts Contacts Rating	204 4 500V/25A	205 4+PE 800V/13A	212 12 500V/7.5A	295 4+PE 800V/13A	303 2+PE 1000V/40A	319 19 500V/7.5A
Insert Representation Inserts Shown from the Plug Mating Side						
Inserts Contacts Rating	405 4+PE 1000V/13A	426 26 500V/7.5A	541 41 500V/7.5A	605 2+PE x 100A/2 x 10A 1000V	706 4+PE x 125A/1 x 10A 1000V	

AirLB  
Current indicated as maximum/contact at 40°C. IP67 Rating dependant on Backshell  
The following Inserts are not compatible: Power 103 and Signal 103; Signal 103 and 193; 205 and 295

# Amphenol




## Circular Interconnects

### ECTA 133 Metal Circular Push-Pull IP67 Connector System Accessories

Backshell IP67				IP67 Backshell			
	Part Number	Shell	Cable Ø (mm)		Part Number	Shell	Cable Ø (mm)
	1330 0 P2	0	4.5-6		1330 1 P3	1	9-12.5
	1330 1 P1	1	5-6.5		1330 2 P3	2	11.5-14.5
	1330 1 P2	1	6.5-9		1330 3 P2	3	12.5-15
	1330 2 P1	2	8-10		1330 3 P3	3	15-18
	1330 2 P2	2	10-13.5		1330 4 P1	4	15-18
1330 3 P1	3	10.5-12.5	1330 4 P2	4	18-21		
Backshell IP67 with Braid Clamping and Cable Clamp				Backshell IP67 with Braid Clamping			
	Part Number	Shell	Cable Ø (mm)		Part Number	Shell	Cable Ø (mm)
	1330 1 PES 1	1	5.5-9		1330 0 PEM	0	2.5-5
	1330 1 PES 2	1	9-12		1330 1 PEM	1	8-13
	1330 2 PES 1	2	5.5-9		1330 2 PEM	2	8-13
	1330 2 PES 2	2	9-12		1330 3 PEM	3	13-18
	1330 3 PES 1	3	10-18		1330 4 PEM	4	13-18
1330 4 PES 1	4	10-18					
Adapter with Metric Thread				Backshell IP30 with Cable Clamp			
	Part Number	Shell	Thread		Part Number	Shell	Cable Ø (mm)
	1330 0 PM 12	0	M12 x 1,5		1330 1 DS 1	1	2-6
	1330 1 PM 16	1	M16 x 1,5		1330 1 DS 2	1	7-10
	1330 1 PM 20	1	M20 x 1,5		1330 1 DS 3	1	10-13
	1330 2 PM 16	2	M16 x 1,5		1330 2 DS 2	2	10.5-14
	1330 2 PM 20	2	M20 x 1,5		1330 2 DS 3	2	14-17.5
	1330 3 PM 20	3	M20 x 1,5		1330 3 DS 1	3	12.5-14.5
	1330 3 PM 25	3	M25 x 1,5		1330 3 DS 2	3	14.5-18
	1330 4 PM 20	4	M20 x 1,5		1330 4 DS 0	4	11.75-15.5
	1330 4 PM 25	4	M25 x 1,5		1330 4 DS 1	4	15.5-18
	1330 5 PM 25	5	M25 x 1,5		1330 4 DS 2	4	18-21.5
1330 6 PM 32	6	M32 x 1,5					
1330 7 PM 50	7	M50 x 1,5					

*The PM Adapter is designed for use on any standard backshell with metric thread (to IP67)*

*Also available: 90° Adapter for plug and cable-cable plug extension*

Metal Cap for All Receptacles (IP67)			Metal Cap for Plug (IP67)			Flange Seal		
	Part Number	Shell		Part Number	Shell		Part Number	Shell
	1330 0 BE	0		1330 0 BM	0			
	1330 1 BE	1		1330 1 BM	1			
	1330 2 BE	2		1330 2 BM	2			
	1330 3 BE	3		1330 3 BM	3			
	1330 4 BE	4		1330 4 BM	4			
1330 5 BE	5	1330 5 BM	5					
				1330 0 JE	0			
				1330 1 JE	1			
				1330 2 JE	2			
				1330 3 JE	3			
				1330 4 JE	4			
				1330 5 JE	5			
				1330 6 JE	6			
				1330 7 JE	7			

*Also available upon request, a single hole fixing bulkhead with pressure differentials up to 5 bars. The technical characteristics are identical to those of standard connectors.*

### SOCAPEX™ SL61 19 Contact Lighting Connectors

Amphenol's SOCAPEX connector is accepted as a worldwide standard in the Lighting Industry

#### Materials

- Body - Aluminium Alloy
- Inserts - Alkyde
- Contacts - Machined Gold Plated

#### Electrical





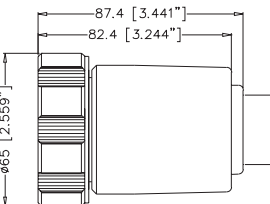
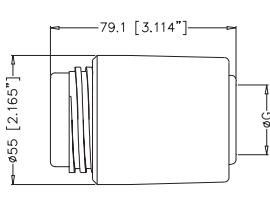
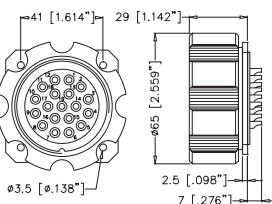
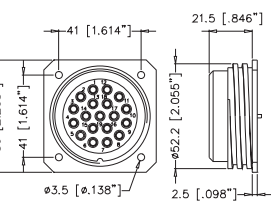
- Working Voltage - 400V
- Current - 25A

#### Configuration

- Number of Contacts - 19
- Coupling Nut - Threaded
- Backshell - Two Piece
- Cable Clamp - Adaptable
- Termination - Solder
- Temperature Range - -40°C ~ 85°C

#### Also Available

- Right Angle Versions
- Various Shell Sizes and Contacts
- Cap Accessories
- Crimp Versions
- Earth Protection
- Cadmium-Free Versions

Part Number	SLFMD419AR	SLFFDR419AR	SLEME419AR	SLEF419AR
Description	Cable Pin Plug	In-Line Socket Receptacle	Panel Pin Plug	Panel Socket Receptacle
Representation				
Diagram				

## X-ON Electronics

Largest Supplier of Electrical and Electronic Components

*Click to view similar products for [Unspecified Connectors](#) category:*

*Click to view products by [Amphenol](#) manufacturer:*

Other Similar products are found below :

[1-21107-1](#) [RAD-OUT-8D-REL](#) [RF-17S1N8A80DU](#) [2-21053-5](#) [PSC-28-1](#) [38111](#) [403000A10M050](#) [1-1589688-1](#) [QUINT-PS/1AC/48DC/10](#)  
[99 9113 02 05](#) [578302](#) [578286](#) [130623](#) [186316](#) [153253](#) [186328](#) [153276](#) [153341](#) [153322](#) [153354](#) [193951](#) [130642](#) [1713941](#) [HC-DD72-I-](#)  
[CT-F](#) [VC-AR1/2M-S88-SET](#) [RC-5AS2000](#) [RC-Z2068](#) [VC-TR5/6M](#) [RAD-900-CONF-RF1](#) [RAD-CON-SMA-N-SS](#) [RAD-ISM-900-ANT-](#)  
[OMNI-0-6](#) [RAD-PIG-EF316-N-RSMA](#) [KST-POF](#) [RIF-0-RPT-12DC/21](#) [RIF-1-BPT/2X21](#) [RIF-1-RPT-LV-120AC/2X21AU](#) [RIF-RH-1](#) [PV-](#)  
[FT-C2F-HSG](#) [HC-EVO-B06-HHFS-2B-PL-BK](#) [99 0210 00 04](#) [801377](#) [803579](#) [710-00007](#) [122.005-6](#) [122.012-10](#) [122.018-10](#) [122.038-6](#)  
[125.038-8](#) [135.016](#) [136.0804](#)