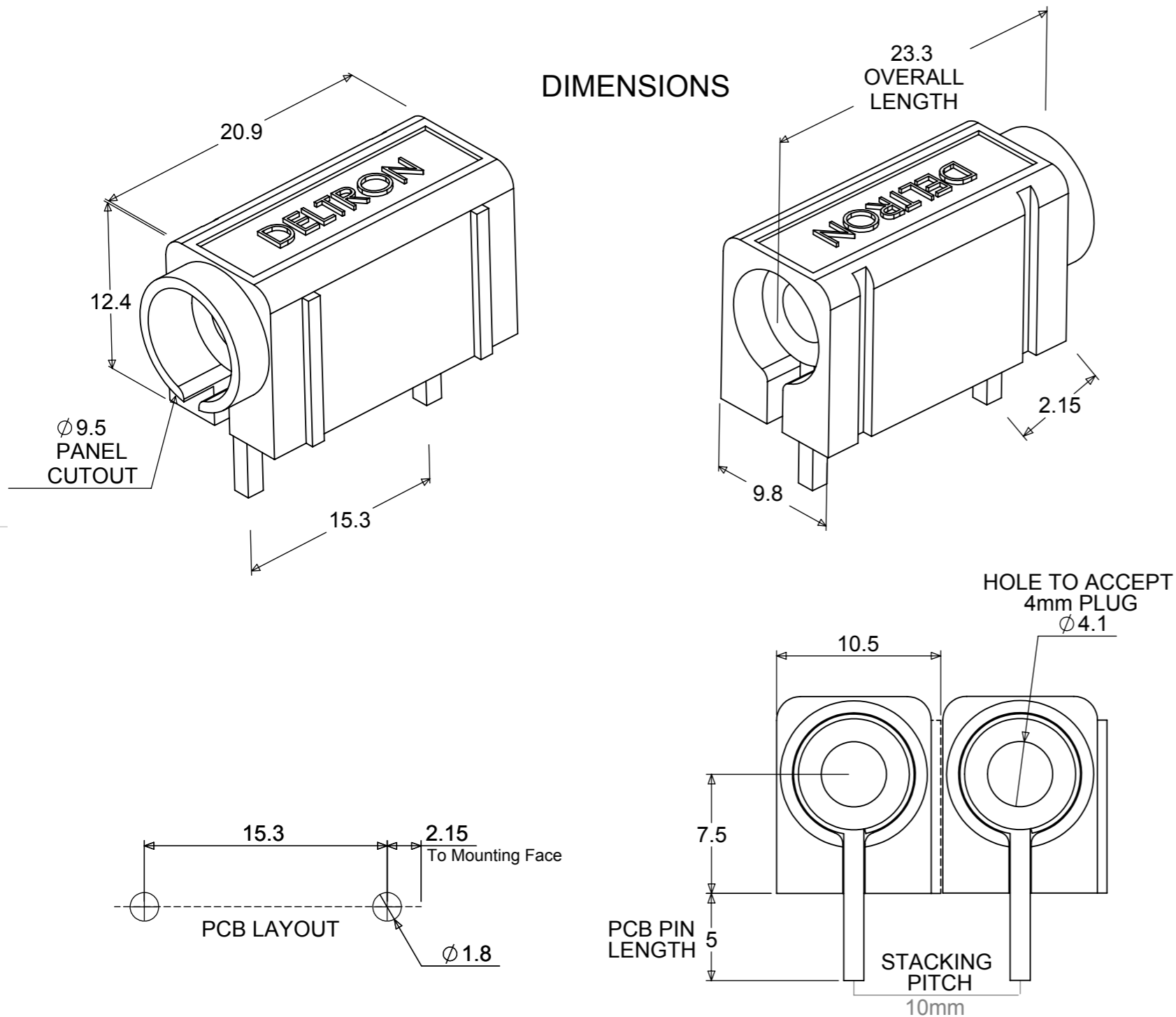


An insulated 4mm socket, for direct mounting onto a printed circuit boards.  
Grooves in the outer acetal housing provide stacking alignment for board space saving.

**DIMENSIONS**



<b>Insulant</b>	Acetal-LG chemical LUCCEL N127-LD/DN127-LD	Acetal - C27021 R
<b>Pin</b>	Brass silver plate	Brass Micron Silver Plated Deltron Spec 09-001
<b>Bush</b>	Brass silver plate	Brass Micron Silver Plated Deltron Spec 10-001
<b>Amps</b>	10A	
<b>Nominal working Voltage</b>	250 V RMS	
<b>Contact Resistance</b>	10mΩ	
<b>Maximum Temperature RTI</b>	+ 110°C	
<b>Minimum temperature</b>	- 25°C	
<b>Recommended Temperature</b>	10A'@55°C	
<b>Voltage Breakdown</b>	5000v	
<b>Conductor size</b>	1.5mm <sup>2</sup>	
<b>Colours</b>	ORDER CODE	
<b>Black</b>	571-0100	
<b>Blue</b>	571-0200	
<b>Brown</b>	571-0300	
<b>Green</b>	571-0400	
<b>Red</b>	571-0500	
<b>White</b>	571-0600	
<b>Yellow</b>	571-0700	

Component complies with 260° deg J-STD-075  
Non-IC Electronic Components Standard

90° PCB MOUNTED INSULATED SOCKET-SINGLE



**PROPRIETARY AND CONFIDENTIAL**  
THE INFORMATION CONTAINED IN THIS  
DRAWING IS THE SOLE PROPERTY OF  
**DEM MANUFACTURING.**  
ANY REPRODUCTION IN PART OR AS A  
WHOLE WITHOUT THE WRITTEN  
PERMISSION OF **DEM MANUFACTURING**  
IS PROHIBITED.



Drawn by SPB 19/02/09  
FINISH:  
THIRD ANGLE PROJECTION  
DEBUR AND BREAK SHARP EDGES  
IF IN DOUBT ASK DO NOT SCALE DRAWING

UNLESS OTHERWISE SPECIFIED:  
DIMENSIONS ARE IN MILLIMETRES  
LINEAR TOLERANCES:  
NO DECIMAL PLACES ±0.5mm  
1 DECIMAL PLACE ±0.1mm  
2 DECIMAL PLACES ±0.03mm  
ANGULAR TOLERANCES: ±1°  
MATERIAL:

A3  
TITLE: **GENERAL SPECIFICATION FOR 571 SERIES**  
DWG NO. **571-SERIES**  
12  
ISSUE

## X-ON Electronics

Largest Supplier of Electrical and Electronic Components

*Click to view similar products for [Test Plugs & Test Jacks](#) category:*

*Click to view products by [Deltron](#) manufacturer:*

Other Similar products are found below :

[579-0400](#) [66000-7](#) [R644543000](#) [R921923000](#) [R921930000](#) [R941344000](#) [R948161000](#) [R999351000](#) [1408-4](#) [1533-1](#) [174-R825B-EX](#)  
[NYS508-BU](#) [1680](#) [174-R819B-EX](#) [R644543003](#) [R644543004](#) [R644543020](#) [R644543021](#) [R921926000](#) [R921931000](#) [R921932000](#)  
[R921934000](#) [R929991000](#) [R941460000](#) [R941461000](#) [R941463600](#) [R941920600](#) [R948160000](#) [31B-2-RED](#) [032-0016-023](#) [105-1106-001](#)  
[108-1000-106](#) [108-2301-621](#) [66001-9](#) [7013](#) [1395080-1](#) [930166100](#) [NYS508-W](#) [NYS508-Y](#) [NYS511-R](#) [BP30-2BR10-B PKG](#) [BP30-10-WT](#)  
[BP30-2BR-B PKG](#) [BP30Y-1 PKG](#) [R941049000](#) [R941340000](#) [R948141029](#) [R921922000](#) [R644543022](#) [R948142000](#)