

DIAZED FUSE LINK 500V TIME-LAG TNDZ SERIES SIZE DII,
THREAD E16, 2A



Figure similar

Model	
product brandname	SENTRON
Product designation	DIAZED fuse
Design of the product	For cable and line protection
Design of the fuse link	DIAZED fuse link
General technical data	
Tripping characteristic class	time-lag (T)
Size of fuse system / acc. to DIN EN 60269-1	NDz
Operating class of the fuse link	gG
circuit-breaker / Design	5SA2
Supply voltage	
• at AC / rated value	500 V
• at DC	500 V
Protection class	
Protection class IP	IP20, with connected conductors
Switching capacity	

Switching capacity current	
• at DC / acc. to IEC 60947-2 / rated value	1.6 kA
• acc. to IEC 60947-2 / rated value	40 kA
Dissipation	
Power loss [W]	
• for rated value of the current / at AC / in hot operating state / per pole	0.85 W
• maximum	0.8 W
Electricity	
rated current I _n / IEC, DIN/VDE / at 40 Cel	1.9 A
Current / at AC / rated value	2 A
Appearance	
Color coding of the fuse link	pink
Product details	
Product description	Using screw adapter or adapter sleeves
Mechanical Design	
Mounting position	Any, preferably vertical
Net weight	9 g
Environmental conditions	
Ambient temperature	
• minimum	-5 °C
• maximum	40 °C
• during storage / Note	Air humidity 90% at 20 °C
Environmental category	Up to 45°C at 95 % rel. humidity
Equipment marking	
• acc. to DIN EN 61346-2	F
• acc. to DIN EN 81346-2	F
Declaration of Conformity	other

[Umweltbestätigung](#)



EG-Konf.

Further information

Information- and Downloadcenter (Catalogs, Brochures,...)

<http://www.siemens.com/lowvoltage/catalogs>

Industry Mall (Online ordering system)

<https://eb.automation.siemens.com/mall/en/WW/Catalog/Product/5SA211>

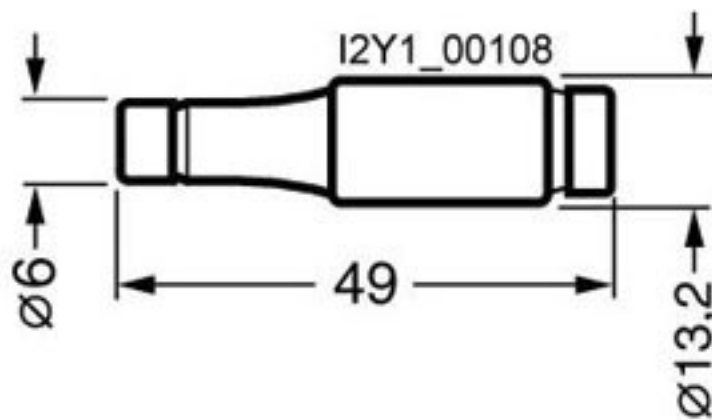
Service&Support (Manuals, Certificates, Characteristics, FAQs,...)

<http://support.automation.siemens.com/WW/view/en/5SA211/all>

Image database (product images, 2D dimension drawings, 3D models, device circuit diagrams, ...)
http://www.automation.siemens.com/bilddb/cax_en.aspx?mlfb=5SA211

CAx-Online-Generator
<http://www.siemens.com/cax>

Tender specifications
<http://www.siemens.com/specifications>



X-ON Electronics

Largest Supplier of Electrical and Electronic Components

Click to view similar products for [Specialty Fuses](#) category:

Click to view products by [Siemens](#) manufacturer:

Other Similar products are found below :

[63NZ02GL](#) [714125](#) [722134](#) [80NH00GR-6](#) [FWH-200A](#) [FWP-32A14F](#) [FWP-50](#) [HBM-25](#) [12LCT](#) [12TDLSJ63](#) [REN-3](#) [15.5CAVH2E](#) [ECF-2](#)
[ECF-4](#) [ECF-6](#) [170M0213](#) [170M1314](#) [170M1369-D](#) [170M3809D](#) [BK/F02A-2AS](#) [BK/F02B-1A](#) [N-2-1/2](#) [N-3-2/10](#) [NITD2](#) [20D16](#) [20D16SC](#)
[20D27FB](#) [KAA-3](#) [KAB-2](#) [KAB-30](#) [KAJ-60](#) [KAW-3](#) [2D16](#) [LKN-125B](#) [16D27SB](#) [170M1564D](#) [170M2616](#) [170M2668](#) [170M4161](#)
[170M4241](#) [170M4699](#) [ESD63](#) [ABS-25](#) [ABS-30](#) [ABS-8](#) [ACF-15](#) [ACF-30](#) [ACO-30](#) [SSD10](#) [200NH1M](#)