

**M12 female 90° with cable**

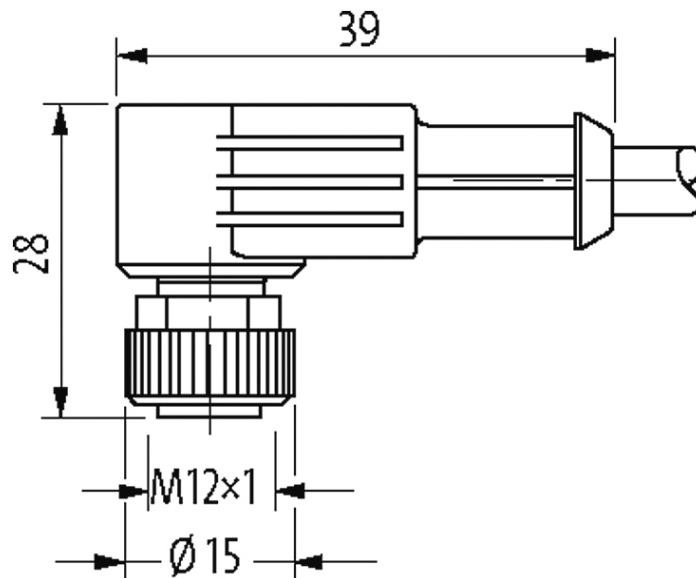
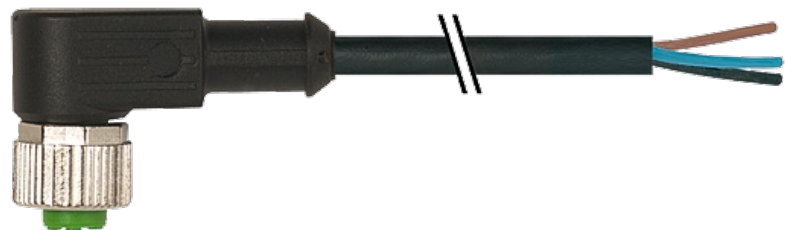
PUR 4x0.34 bk UL/CSA 10m

Female 90°

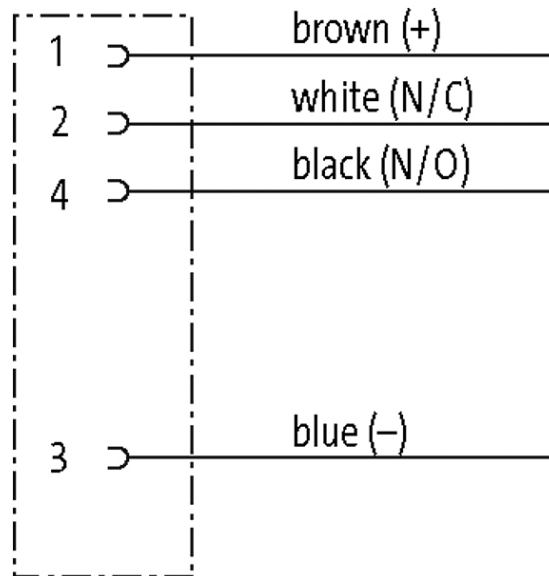
M12, 4-pole

Art.-No. 7005 - M12 Lite - (plastic hexagonal screw) on request

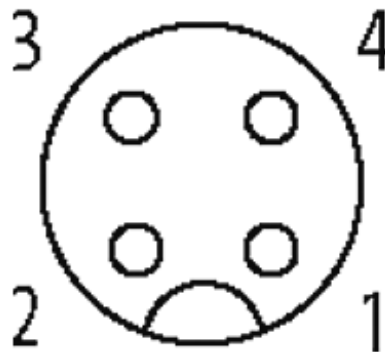
Plastic housings with good resistance against chemicals and oils. The resistance to aggressive media should be individually tested for your application. Further details on request. Further cable lengths on request.

**[Link to Product](#)****Illustration**

stay connected



Female



Product may differ from Image

### Approvals



\* only for products with UL/CSA approved cable

### Form

Form 12341

### Cables

Cable identification	624
Cable type	2 (PUR/PVC)
Approval (cable)	UL (AWM-Style 20549/1731), CSA; CE conform
Cable weight [g/m]	42,68
Material (wire)	Cu wire, bare
Resistor (core)	max. 57 Ohm/km (20 °C)

The information in this brochure has been compiled with the utmost care.

Liability for the correctness completeness and topicality of the information is restricted to gross negligence. Version: 10/17

Murrelektronik GmbH | Falkenstraße 3 | 71570 Oppenweiler | Fon +49 (71 91) 47-0 | Fax +49 (71 91) 47-491000 | shop@murrelektronik.com | shop.murrelektronik.com

Single wire Ø (core)	0.1 mm
Construction (core)	42 × 0.1 mm (multi-strand wire class 6)
Diameter (core)	4 × 0.34 mm <sup>2</sup>
AWG	similar to AWG 20
Material (wire isolation)	PVC
Material property (wire isolation)	CFC-, cadmium-, silicone- and lead-free
Shore hardness (wire isolation)	43 ±5 D
Wire-Ø incl. isolation	approx. 1.25 mm
Color/numbering of wires	br, bk, bl, wh
Stranding combination	4 wires twisted
Shield	no
Material (jacket)	PUR/PVC
Material property (jacket)	CFC-, halogen-, cadmium-, silicone- and lead-free, matt, low-adhesion, machine easy to process, abrasion-resistant, hydrolysis and microbial resistant
Shore hardness (jacket)	80 ±5 A (PVC-under jacket); 85 ±5 A (PUR-jacket)
Outer-Ø (jacket)	5.2 mm ±5%
Color (jacket)	black
chemical resistance	good resistance to oil, gasoline and chemicals
Nominal voltage	UL 300 V AC
Test voltage	2000 V AC
Current load capacity	to DIN VDE 0298-4
Temperature range (fixed)	-30...+80 °C
Temperature range (mobile)	-5...+80 °C
Bend radius (fixed)	10 × outer Ø
Bend radius (moving)	15 × outer Ø
Number of bending cycles (C-track)	max. 2 Mio. (25 °C)
Traversing distance (C-track)	max. 5 m (horizontal)
Travel speed (C-track)	max. 3.3 m/s
Acceleration (C-track)	max. 5 m/s <sup>2</sup>
<b>Technical Data</b>	
Operating voltage	max. 250 V AC/DC
Operating voltage (only UL listed)	max. 30 V AC/DC
Operating current per contact	max. 4 A
Rated surge voltage	2.5 kV
Material group	IEC 60664-1, category I
Coding	A-coded
Locking of ports	Screw thread M12 × 1 mm (recommended torque 0.6 Nm) self-securing
Compression gland	M12 (SW13)
Protection	IP65, IP66K, IP67
Locking material	Zinc die casting, matte nickel plated

Material	PUR
suitable for corrugated tube (internal Ø)	10 mm

**General data**

Standards	DIN EN 61076-2-101 (M12)
Mounting method	inserted, tightened
Material (contact)	Copper alloy
Material (contact surface)	Au
Material (gasket)	FKM
Pollution Degree	3
Stripping length (jacket)	20 mm
Temperature range	-25...+85 °C, depending on cable quality

**Commercial data**

country of origin	DE
customs tariff number	85444290
EAN	4048879206532
eClass	27279218
Packaging unit	1

## X-ON Electronics

Largest Supplier of Electrical and Electronic Components

*Click to view similar products for [Specialised Cables category](#):*

*Click to view products by [Murr Elektronik manufacturer](#):*

Other Similar products are found below :

[GP-IE515546DS-002](#) [96CB-L2020PIB2](#) [1200740161](#) [R88ACAKA0015SRE](#) [R88ACAWL005SDE](#) [R88ACRGD0R3C](#) [1300660042](#)  
[1300660201](#) [1971465-2](#) [22733-8](#) [2R7004A20F060](#) [SSL009PC2DC012N](#) [FC2A-KC6C](#) [CCSFCBF2](#) [R7ACAB005S](#) [XS2WM12PUR4SA10M](#)  
[XS2WM12PVC4SA10M](#) [05AU05](#) [UCABLE](#) [10114734-2010LF](#) [XW2Z010H3](#) [XW2Z010H1](#) [5-1589827-8](#) [5-1589827-4](#) [861084-1](#)  
[XW2Z200JB24](#) [5-1589956-8](#) [CR4000A76M020](#) [1201140211](#) [1300140039](#) [CR4000A76M005](#) [CR4006A76M005](#) [10077488-N0550FDLF](#)  
[XW2ZRY150C](#) [I4JPBJLUXX100](#) [I4JPBJLUXX50](#) [CM06](#) [CM06W](#) [0243 009 05](#) [0243 009 20](#) [0243 009 36](#) [0243 009 26](#) [0243 009 33](#) [0243](#)  
[009 23](#) [0243 009 01](#) [0243 009 30](#) [0243 008 05](#) [0243 008 20](#) [0243 008 36](#) [0243 008 23](#)