

# Alustar-G2-60

## Product data sheet

### Technical data

<b>Beam angle</b>	60°
<b>Supply</b>	Constant current
<b>Operating current</b>	Up to 1500 mA
<b>Reverse voltage</b>	Up to 5 Vr
<b>Control</b>	Yes*
<b>Protection class</b>	IP 54
<b>Ambient temperature</b>	-25°C to +50°C
<b>Connection</b>	Open wire ends
<b>Housing</b>	Aluminium
<b>Weight</b>	0,06 kg

\* Steuerung mit Pulsweitenmodulation (PWM) möglich



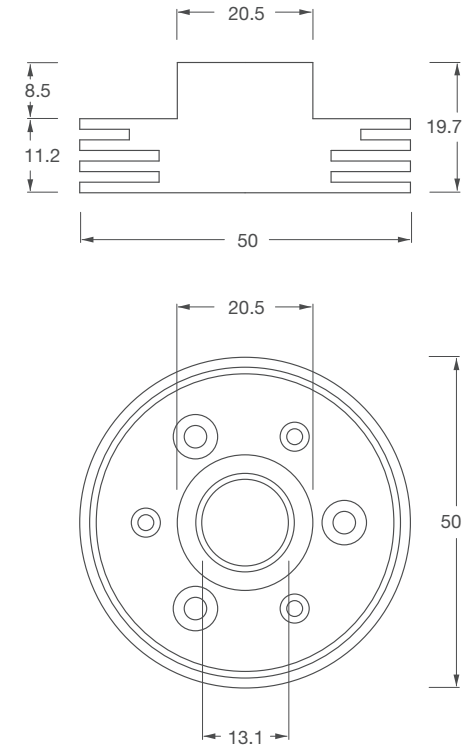
### Types



### Montage

The product needs to be mounted with M3-screws.

### Dimensions



Abmessungen in mm

# Alustar-G2-60

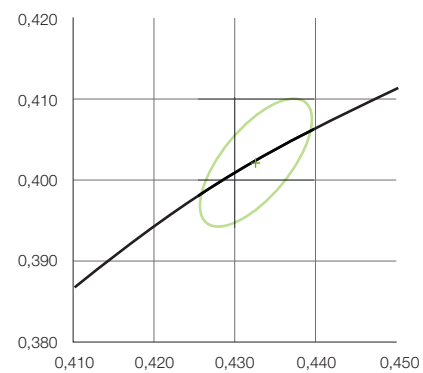
## Product data sheet

### Photometric data

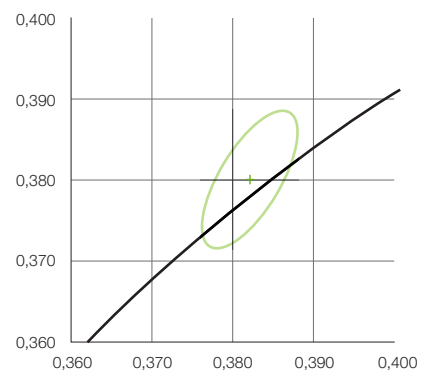
Article number	Photometric code	Colour temperature	Wavelength	Light colour	Colour coordinates x / y	Colour rendering index Ra	Colour consistency	Luminous flux @ 350 mA	Luminous flux @ 700 mA	Luminous flux @ 1000 mA
9009399	830/559	3000 K	---	Warm white	0,4344 / 0,4030	80	5 SDCM	110 lm	207 lm	281 lm
9009400	840/559	4000 K	---	Neutral white	0,3826 / 0,3800	80	5 SDCM	113 lm	212 lm	288 lm
9009401	857/559	5700 K	---	Cool white	0,3332 / 0,3516	70	5 SDCM	132 lm	248 lm	337 lm
9009402	---	---	625 nm	Red	---	---	---	64 lm	115 lm	150 lm
9009403	---	---	590 nm	Yellow	---	---	---	67 lm	120 lm	156 lm
9009404	---	---	528 nm	Green	---	---	---	100 lm	181 lm	236 lm
9009405	---	---	475 nm	Blue	---	---	---	36 lm	64 lm	84 lm

### Colour coordinates

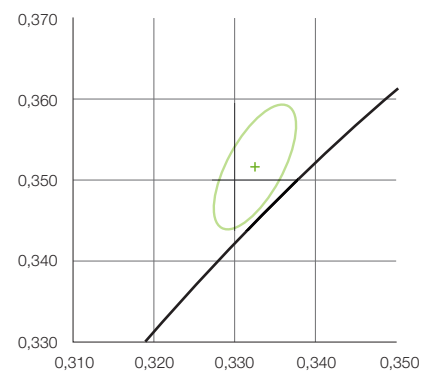
Colour temperature 3.000 K



Colour temperature 4.000 K



Colour temperature 5.700 K



# Alustar-G2-60

## Product data sheet

### More data

Article number	Forward voltage @ 350 mA	Forward voltage @ 700 mA	Forward voltage @ 1000 mA	Rated power @ 350 mA	Rated power @ 700 mA	Rated power @ 1000 mA	Lifetime @ 1000 mA	Tc max @ 1000 mA	Tc max @ 1500 mA
9009399	2,80 Vf	2,93 Vf	3,02 Vf	1,0 W	2,0 W	3,0 W	L80 B10 >48.000 h	65°C	60°C
9009400	2,80 Vf	2,93 Vf	3,02 Vf	1,0 W	2,0 W	3,0 W	L80 B10 >48.000 h	65°C	60°C
9009401	2,80 Vf	2,93 Vf	3,02 Vf	1,0 W	2,0 W	3,0 W	L80 B10 >48.000 h	65°C	60°C
9009402	2,20 Vf	2,44 Vf	2,63 Vf	0,8 W	1,7 W	2,6 W	L80 B10 >36.000 h	65°C	---
9009403	3,05 Vf	3,19 Vf	3,27 Vf	1,1 W	2,2 W	3,3 W	L80 B10 >36.000 h	65°C	---
9009404	3,20 Vf	3,50 Vf	3,68 Vf	1,1 W	2,4 W	3,7 W	L80 B10 >36.000 h	65°C	---
9009405	3,10 Vf	3,28 Vf	3,39 Vf	1,1 W	2,3 W	3,4 W	L80 B10 >48.000 h	65°C	---

### Order data

Article number	Article name
9009399	ALUSTAR-G2-60-SW830-1A-54
9009400	ALUSTAR-G2-60-SW840-1A-54
9009401	ALUSTAR-G2-60-SW857-1A-54
9009402	ALUSTAR-G2-60-SC625-1A-54
9009403	ALUSTAR-G2-60-SC590-1A-54
9009404	ALUSTAR-G2-60-SC528-1A-54
9009405	ALUSTAR-G2-60-SC475-1A-54

### Caution

ATTENTION harmful optical radiation possible.  
Do not look into the lamp for long periods during operation.  
May be harmful to eyes.

### Standards

EN 62031:2015  
EN 62471:2009  
2011/65/EU  
2009/125/EU  
in Anlehnung an IEC 62717

# Alustar-G2-60

## Product data sheet

### Important notes

All technical parameters apply to the entire product. Due to the complex manufacturing process of light-emitting diodes, the indicated typical LED parameters are purely statistical variables and may vary.

<b>Mercury content</b>	0,0 mg
<b>Mercury-free</b>	yes
<b>Professional disposal according to WEEE</b>	yes

### Notes to the life time

Decisive factors for the life time are the ambient temperature and the operating temperature ( $T_c/T_p$ ). Exceeding the permissible limits results and the permitted operating voltage in a substantial reduction of the life time and can even lead to the destruction of the products. The specified life time represents a statistical quantity.

The heat sink must provide sufficient heat dissipation so that the maximum permissible operating temperature is not exceeded. The measurement of the operating temperature must be in accordance with EN 60598-1.

### Notes to electrical and photometric data

Colour coordinates according to CIE 1931

Rated ambient temperature:  $t_a = 25^\circ$

Measuring tolerance colour coordinates (x/y) +/- 0,005

Tolerance range of electrical / photometric data: +/- 10%

### Disclaimer

Changes and errors excepted. Due to the continuous development of all products, technical and design changes can occur at any time. Make sure that you always use the latest version of the data sheet.

**Further product data as well as current information can be found at [www.ledxon.com](http://www.ledxon.com)**

### Notes to the installation

While installation the relevant specifications and standards must be observed. For optimum operation we recommend installation only on rigid and stationary surfaces. The electrical connection must be made in a voltage-free state.

The correct polarity for the connection lines must be observed upon start-up. Incorrect polarity may result in the destruction. The products are electrified by connecting leads to the provided plug terminal connection. The maximum permitted cable cross-section must be observed in this process. The products are delivered without cabling. When installing these modules, standard ESD safety precautions must be complied with.

High mechanical load must be avoided during installation. Powerful compression forces, in particular on the light area, result in damage to the components as well as the conducting paths. For fixing we recommend using polyamide screws.

## X-ON Electronics

Largest Supplier of Electrical and Electronic Components

*Click to view similar products for [LED Lighting Bars and Strips](#) category:*

*Click to view products by [Ledxon](#) manufacturer:*

Other Similar products are found below :

[ZLF0310W62524](#) [LF1D-F2F-2W-300](#) [HH-SNW320F210W12-COB IP65](#) [HH-SNW320F010W12-COB IP20](#) [HH-SNW320F210W24-COB IP65](#) [HH-SNW320F010W24-COB IP20](#) [HH-SNW528F210W12-COB IP65](#) [HH-SNW528F010W12-COB IP20](#) [HH-SNW528F210W24-COB IP65](#) [HH-SNW528F010W24-COB IP20](#) [HH-SCW320F210W12-COB IP65](#) [HH-SCW320F010W12-COB IP20](#) [HH-SCW528F210W12-COB IP65](#) [HH-SCW528F010W12-COB IP20](#) [HH-SR528F010W12-COB IP20](#) [HH-SR528F010W24-COB IP20](#) [LF2D-EN2F-2W-A](#) [PUUA-100LLL-NK2P](#) [HC-F12V-3535 PCBA](#) [HC-F12V-WS2811-3535](#) [HC-F24V-6L-36LED-W-WS2821/IP20](#) [HC-F5V-144L-144LED-B-WS2813 IP20](#) [HC-F5V-144L-144LED-B-WS2813 IP65](#) [HC-F5V-144L-144LED-W/IP65](#) [HC-F5V-144L-144LED-W-WS2813 IP20](#) [HC-F5V-30L-30LED-B-WS2813 IP20](#) [HC-F5V-60L-60LED-B-WS2813 IP20](#) [HC-F5V-60L-60LED-W-WS2813 IP65](#) [HC-T12V-10L-30LED-W/IP20](#) [HC-T12V-16L-48LED-W/IP20](#) [HC-T12V-16L-48LED-W/IP65](#) [HC-T12V-20L-60LED-W/IP65](#) [LFBHL-SW860-24V-12D83-20](#) [LFBLL-SW860-24V-5S200-20-IC](#) [LFBML-MW827860-24V-12D83-20](#) [LFBML-SW827-24V-6S167-20](#) [LM-SAG1-W2](#) [LMV-MINI-W2](#) [LS-2835W120RN](#) [LS-2835W120RN1](#) [LS-2835W60RN2](#) [LS-2835WW120R-1](#) [LS-2835WW60RN](#) [LS-3014WW60RN](#) [LS-3014WW60RN3](#) [LS-3528W60RN-1](#) [LS-3528W60RN-2](#) [LS-5050F60R-2](#) [LS-5050W30RN](#) [LS-5050WW30RN-2](#)