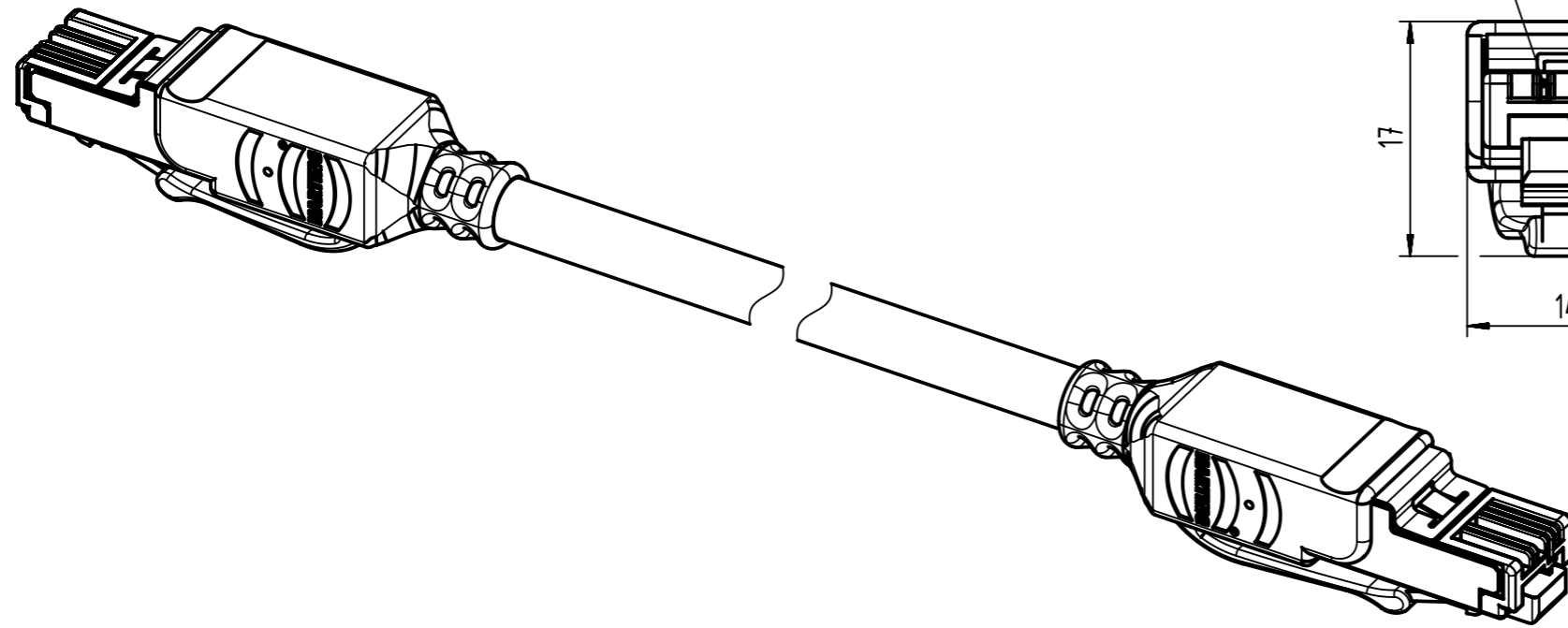
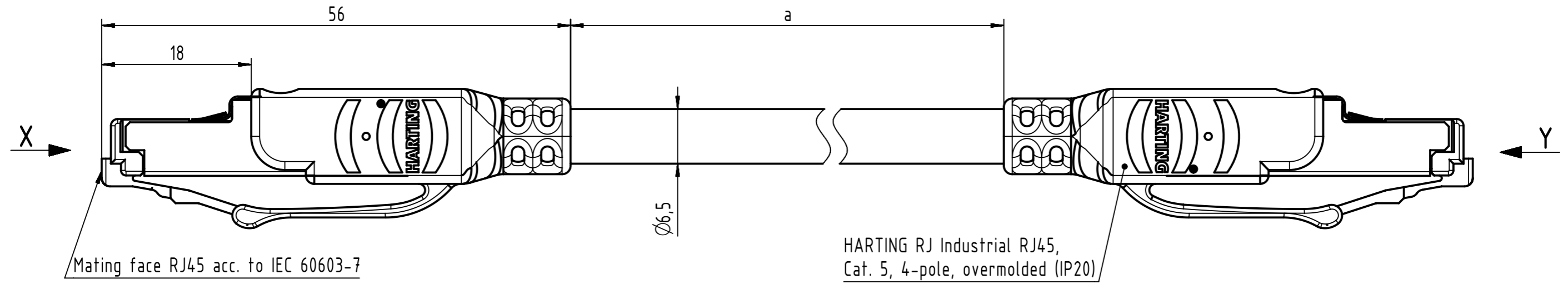


Connector Location A

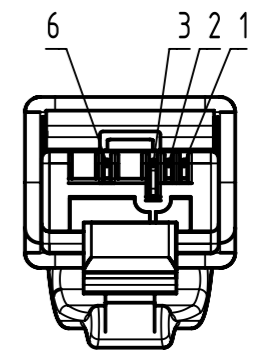
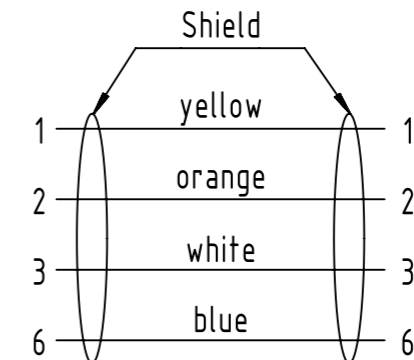
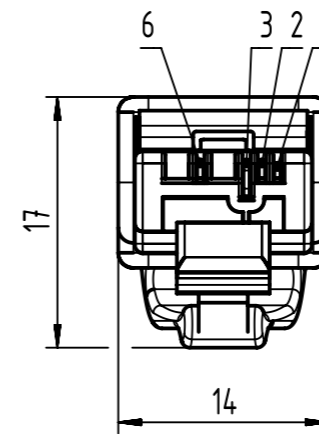
Connector Location B



X
male

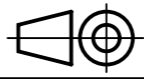

Y
male

Loading-Plan:



- Temperature range: -40°C ... +70°C

	All rights reserved	Created by COSTEA	Inspected by STOCHECIC	Standardisation MUNTEANV	Date 2018-09-13	State Final Release	
	Department HCS - RO	Title RJ Industrial PROFINET cable assembly				Doc-Key / ECM-Nr. 100081054/UGD/051/G 500000139970	
HARTING Customised Solutions D-32339 Espelkamp		Type TB	Number 0945771XXXX			Rev. G	Page 1/3

1	2	3	4	5	6	7	8
				RJ Ethernet standard cable, AWG22/1, 2x2x0.64, PVC, Cat. 5+, green			
				RJ Ethernet stranded cable, 4xAWG22/7, PVC, Cat. 5+, green			
22	09457710061		100	52	09457711161		100
21	09457710060		90	51	09457711160		90
20	09457710059		80	50	09457711159		80
19	09457710058		70	49	09457711158		70
18	09457710057		60	48	09457711157		60
17	09457710056		50	47	09457711156		50
16	09457710055		40	46	09457711155		40
15	09457710054		30	45	09457711154		30
14	09457710053		20	44	09457711153		20
13	09457710052		15	43	09457711152		15
12	09457710051		10	42	09457711132		13
11	09457710031		9	41	09457711151		10
10	09457710030		8	40	09457711131		9
9	09457710029		7	39	09457711130		8
8	09457710028		6	38	09457711129		7
7	09457710027		5	37	09457711128		6
6	09457710026		4	36	09457711127		5
5	09457710025		3	35	09457711136		4.5
4	09457710024		2	34	09457711126		4
3	09457710023		1.5	33	09457711135		3.5
2	09457710022		1	32	09457711125		3
1	09457710021		0.5	31	09457711140		2.2
				30	09457711124		2
				29	09457711139		1.8
				28	09457711123		1.5
				27	09457711122		1
				26	09457711138		0.9
				25	09457711121		0.5
				24	09457711134		0.3
				23	09457711137		0.15
Cont. no.	Part no.	Type of cable	Dim. a[m]	Cont. no.	Part no.	Type of cable	Dim. a[m]
				 All Dimensions in mm			
				Tech. Character. Free size tol. According to production drawing			
				 All rights reserved			
				Created by COSTEA Inspected by STOCHECIC Standardisation MUNTEANV Date 2018-09-13 State Final Release			
				Department HCS - RO			
				Title RJ Industrial PROFINET cable assembly			
				Doc-Key / ECM-Nr. 100081054/UGD/051/G 500000139970			
				HARTING Customised Solutions			
				Type TB Number 0945771XXXX			
				Rev. G Page 2/3			
				D-32339 Espelkamp			

	1	2	3	4	5	6	7	8
A								
B	81	09457711183	RJ45 Ethernet trailing cable, AWG22/7, 2x2x0.75, PUR, Cat. 5+, green	100				
	80	09457711182		90				
	79	09457711181		80				
	78	09457711180		70				
	77	09457711179		60				
	76	09457711187		55				
	75	09457711178		50				
C	74	09457711177		40				
	73	09457711176		30				
	72	09457711175		20				
	71	09457711186		18				
	70	09457711174		15				
	69	09457711188		14				
	68	09457711189		12				
D	67	09457711173		10				
	66	09457711172		9				
	65	09457711171		8				
	64	09457711170		7				
	63	09457711169		6				
	62	09457711168		5				
	61	09457711167	4					
E	60	09457711166	3					
	59	09457711190	2.3					
	58	09457711165	2					
	57	09457711164	1.5					
	56	09457711163	1					
	55	09457711185	0.6					
	54	09457711162	0.5					
	53	09457711184	0.3					
F	Cont. no.	Part no.	Type of cable	Dim. a[m]				

	All rights reserved		Created by COSTEA		Inspected by STOCHECIC		Standardisation MUNTEANV		Date 2018-09-13		State Final Release	
	Department HCS - RO		Title RJ Industrial PROFINET cable assembly						Doc-Key / ECM-Nr. 100081054/UGD/051/G 500000139970			
HARTING Customised Solutions D-32339 Espelkamp			Type TB		Number 0945771XXXX				Rev. G		Page 3/3	

X-ON Electronics

Largest Supplier of Electrical and Electronic Components

Click to view similar products for [Audio Cables](#) / [Video Cables](#) / [RCA Cables](#) category:

Click to view products by [HARTING](#) manufacturer:

Other Similar products are found below :

[59384500100E](#) [73-6310-10](#) [73-6311-10](#) [73-6313-3](#) [73-6313-6](#) [PCX-60-50](#) [RCA10RCA](#) [1-3737-600-3216](#) [15AK25X](#) [25FK25](#) [LF3BLX](#) [30-1511-10](#) [30AR30](#) [30AK30](#) [30AN30](#) [RCA05RCA](#) [RCA05RCAB](#) [RCA05TS](#) [RCA10RCAB](#) [420001400-3](#) [426058900-3](#) [TT6RX](#) [TT7BKX](#) [TT93602](#) [426058300-3](#) [LF1BKX](#) [LF3RX](#) [0887418300](#) [73-6312-6](#) [73-6314-3](#) [73-6352-3](#) [VMP3YX](#) [VMP2YX](#) [68767-0003](#) [TT746](#) [TT744](#) [CN13B](#) [LF4GNX](#) [LF2GYX](#) [426494200-3](#) [LF1RX](#) [VMPBNCF](#) [LF10GNX](#) [427492100-3](#) [LF4BLX](#) [TT747N2](#) [TT864](#) [LF2YX](#) [426491500-3](#) [426523700-3](#)