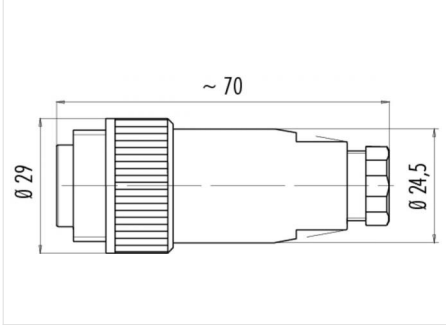


Product description **Contacts: 6+PE, cable plug connector with cable strain relief, PG 9 with VDE, ETS, UL approval, screw**
 Area **RD24 Power Series 692/693**
 Order number **99 4217 00 07**

Illustration



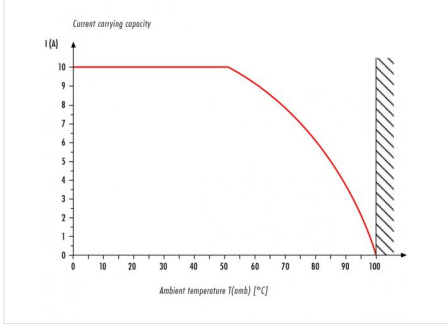
Scale drawing



Contact arrangement

| | X | Y |
|----|-------|-------|
| 1 | -3,25 | -3,54 |
| 2 | -4,76 | 0,63 |
| 3 | -2,22 | 4,26 |
| 4 | 2,22 | 4,26 |
| 5 | 4,76 | 0,63 |
| 6 | 3,25 | -3,54 |
| PE | 0,00 | 0,50 |

Derating curve



You can find the component part drawing and assembly instructions on the next page.

Technical data

General values

| | |
|--------------------------|--------------------------|
| Connector design | Kabelstecker |
| Connector locking system | schraub |
| Termination | schraubklemm |
| Wire gauge (mm) | max. 1,5 mm ² |
| Wire gauge (AWG) | max. 16 |
| Cable outlet | 6,0 - 8,0 mm |
| Upper limit temperature | 100 °C |
| Lower limit temperature | -40 °C |

Cable data

| | |
|------------|-------|
| Approval 1 | UL |
| Approval 2 | ESTI+ |
| Approval 3 | VDE |

Electrical values

| | |
|---------------------------|----------------------|
| Rated current (40 °C) | 10 A (8 A UL) |
| Rated voltage | 250 V |
| Rated impulse voltage | 4000 V |
| Pollution degree | 3 |
| Overvoltage category | III |
| Insulating material group | III |
| Volume resistivity | ≤ 5 mΩ |
| Insulation resistance | ≥ 10 ¹⁰ Ω |
| EMC compliance | nicht schirmbar |
| Degree of protection | IP67 |
| Mechanical operation | > 500 Steckzyklen |

Material

| | |
|-----------------------|-----------------|
| Contact material | CuZn (brass) |
| Contact plating | Ag (Silber) |
| Contact body material | PBT (UL 94 V-0) |

Product description

Contacts: 6+PE, cable plug connector with cable strain relief, PG 9 with VDE, ETS, UL approval, screw

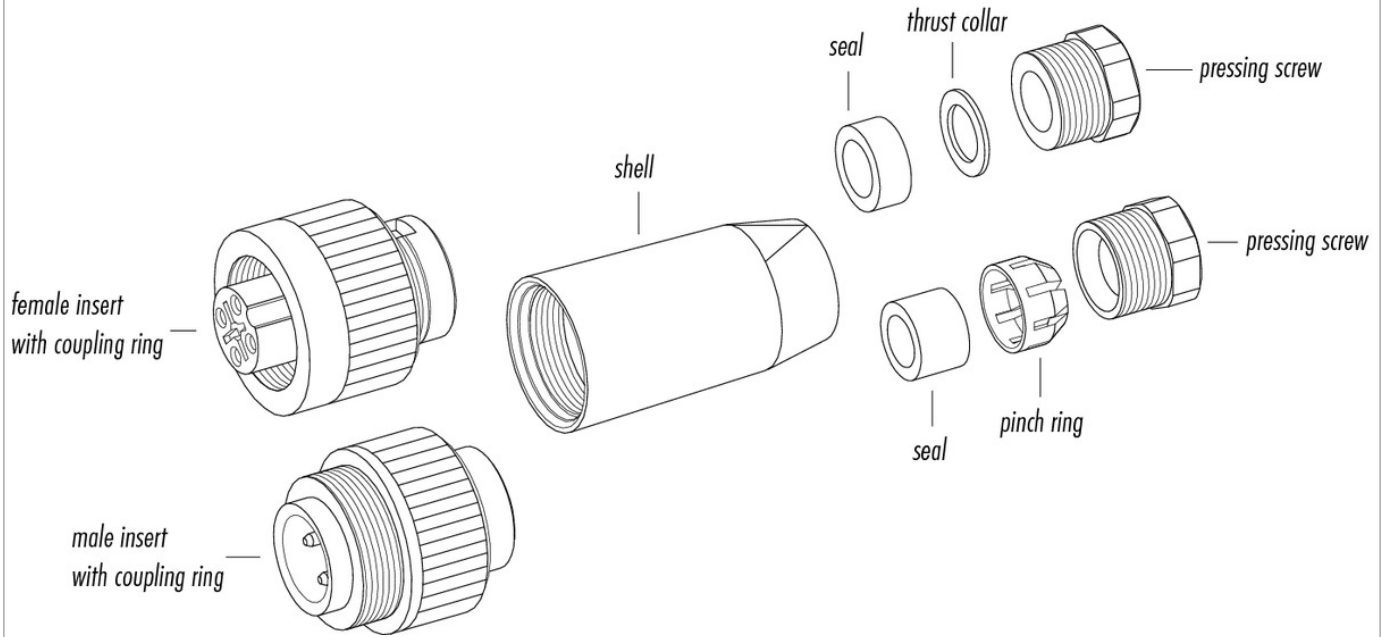
Area

RD24 Power Series 692/693

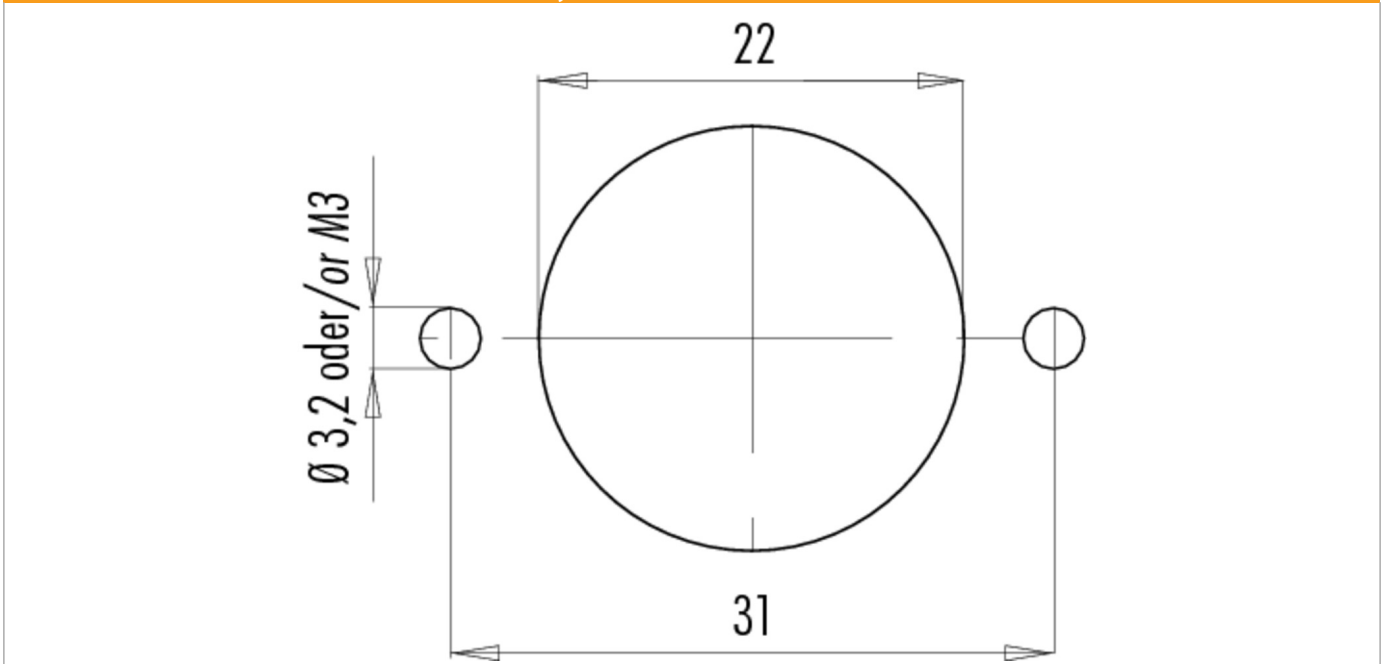
Order number

99 4217 00 07

Component part drawing



Assembly instructions / Panel cut-out



| | |
|---------------------|--|
| Product description | Contacts: 6+PE, cable plug connector with cable strain relief, PG 9 with VDE, ETS, UL approval, screw |
| Area | RD24 Power Series 692/693 |
| Order number | 99 4217 00 07 |

Security notices

The connector must not be connected or separated under load. Non-observance and incorrect use can result in personal injury.

The connectors are designed for use in plant, control system and electrical equipment. The end user is responsible for checking whether the connectors are suitable for use in other applications.

To prevent the connector being opened unintentionally when used in electrical circuits containing hazardous life parts, the thread between the housing and the connector head must be secured using a suitable cyanoacrylate adhesive. This does not apply to connectors used in SELV and PELV circuits according to IEC 61140 (EN 61140, VDE 0140-1).

Connectors used in electrical circuits containing hazardous life parts must only be assembled and used by or under the supervision of persons with the requisite electrotechnical training, taking the applicable regulations and standards into account.

Connectors with degree of protection IP 67 and IP 68 are not suitable for use under water. When used outdoors, the connectors must be separately protected against corrosion. For further information about IP degrees of protection refer to 'Technical support' in the Download Centre.

To lock the cable connector to the equipment connector, the threaded ring is tightened until it is 'finger-tight' (approx. 50 cNm).

X-ON Electronics

Largest Supplier of Electrical and Electronic Components

Click to view similar products for [Unspecified Connectors](#) category:

Click to view products by [Binder manufacturer](#):

Other Similar products are found below :

[1-21107-1](#) [RAD-OUT-8D-REL](#) [RF-17S1N8A80DU](#) [2-21053-5](#) [PSC-28-1](#) [38111](#) [403000A10M050](#) [1-1589688-1](#) [QUINT-PS/1AC/48DC/10](#)
[99 9113 02 05](#) [578302](#) [578286](#) [130623](#) [186316](#) [153253](#) [186328](#) [153276](#) [153341](#) [153322](#) [153354](#) [193951](#) [130642](#) [1713941](#) [HC-DD72-I-](#)
[CT-F](#) [VC-AR1/2M-S88-SET](#) [RC-5AS2000](#) [RC-Z2068](#) [VC-TR5/6M](#) [RAD-900-CONF-RF1](#) [RAD-CON-SMA-N-SS](#) [RAD-ISM-900-ANT-](#)
[OMNI-0-6](#) [RAD-PIG-EF316-N-RSMA](#) [KST-POF](#) [RIF-0-RPT-12DC/21](#) [RIF-1-BPT/2X21](#) [RIF-1-RPT-LV-120AC/2X21AU](#) [RIF-RH-1](#) [PV-](#)
[FT-C2F-HSG](#) [HC-EVO-B06-HHFS-2B-PL-BK](#) [99 0210 00 04](#) [801377](#) [803579](#) [710-00007](#) [122.005-6](#) [122.012-10](#) [122.018-10](#) [122.038-6](#)
[125.038-8](#) [135.016](#) [136.0804](#)