

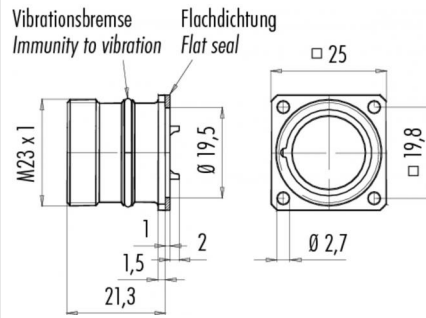
Product description **Polzahl: 6, Flanschstecker, Frontmontage, rechtsdrehend**

Area **M23 Power Series 623**
 Order number **99 4637 00 06**

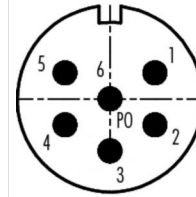
Illustration



Scale drawing



Contact arrangement



	X	Y
1	4,13	2,38
2	4,13	-2,38
3	0,00	-4,75
4	-4,13	-2,38
5	-4,13	2,38
6	0,00	0,00

Technical data

General values

Connector design	male panel mount connector
Connector locking system	bolted
Termination	solder
Wire gauge (mm)	2,50 mm ²
Wire gauge (AWG)	14
Cable outlet	-
Upper limit temperature	125 °C
Lower limit temperature	-20 °C

Electrical values

Rated voltage	300 V
Rated impulse voltage	2500 V
Pollution degree	3
Overvoltage category	II
Insulating material group	III
Rated current (40 °C)	20 A
Volume resistivity	≤ 3 mΩ
EMC compliance	Shielding is not possible
Degree of protection	IP67
Mechanical operation	> 50 Mating cycles

Material

Contact material	CuZn (Messing)
Contact plating	Au (gold)
Contact body material	PBT/PA66

Product description **Polzahl: 6, Flanschstecker, Frontmontage, rechtsdrehend**

Area **M23 Power Series 623**
Order number **99 4637 00 06**

Sicherheitshinweise

1. The connector must not be connected or separated under load. Non-observance and incorrect use can result in personal injury.
2. The connectors are designed for use in plant, control system and electrical equipment. The end user is responsible for checking whether the connectors are suitable for use in other applications.
6. Connectors with degree of protection IP 67 and IP 68 are not suitable for use under water. When used outdoors, the connectors must be separately protected against corrosion. For further information about IP degrees of protection refer to 'Technical support' in the Download Centre.

X-ON Electronics

Largest Supplier of Electrical and Electronic Components

Click to view similar products for [Circular MIL Spec Connector](#) category:

Click to view products by [Binder manufacturer](#):

Other Similar products are found below :

[89075GULPR](#) [0025-262-542](#) [0025-264-3014](#) [58-570121-04S](#) [0134-213-1208](#) [0134-213-2209](#) [0025-258-000](#) [60-042022-07P](#) [60-042022-19P](#)
[60-042022-23P](#) [60-042217-10P](#) [0114-201-1278](#) [012-0467-000](#) [602GB06EG24-61SN](#) [0134-201-1207](#) [0134-213-1006](#) [6104-207-2302](#) [6104-](#)
[208-1902](#) [61-168211-04P](#) [61-168617-10P](#) [6131-202-19149P](#) [6131-204-21149P](#) [6131-208-13149P](#) [6131-209-17149P](#) [6131-210-11149P](#) [6131-](#)
[211-19149P](#) [6131-216-19149P](#) [6131-259-21149P](#) [6131-259-23149P](#) [6131-265-17149P](#) [6131-265-19149P](#) [CS3100A18-1P-472](#) [CS3100A-36-](#)
[77P](#) [CS3101A-16-55P](#) [CS3102A-10SL-55P](#) [CS3102A-14S-58P](#) [CS3102A-32-17P](#) [CS3102A32-25S](#) [CS3102C18-4P-472](#)
[CS3106A10SL3S004](#) [CS3106A-18-73S](#) [CS3108A-14S-52S](#) [CS3108A-28-51S](#) [6162-233-1277](#) [6162-324-1231](#) [M243082296Z](#)
[M2884010AC1S1](#) [CT0-24-10SC](#) [CT0M20-7PCAU](#) [M28840/17AC1G3](#)