

TECHNICAL SHEET

MODEL NUMBER:

A00031-05



DAB Antenna Specification

1. General Description

1.1	Application	Antennas
1.2	Operating Temperature	-10 °C ~ +80 °C
1.3	Storage Temperature	-10 °C ~ +80 °C
1.4	Humidity	45% ~ 65% RH under temperature range of 5 °C ~ +35 °C

2. Appearance – Construction - Dimensions

2.1	Dimensions	Refer to the drawing at section 6
2.2	Color	Refer to the real sample
2.3	Weight	53.5 ± 5.0 g

3. Electrical Specifications

3.1	Frequency range	174 ~ 240 MHz (Band-III)
3.2	V.S.W.R.	< 2.0
3.3	Impedance	50 Ω
3.4	Gain	18 dB ± 2.0 dB
3.5	Connector	SMB R/A
3.6	Cable	RG174
3.7	Supply Voltage	5 VDC
3.8	Current Consumption	10 mA ± 3 mA

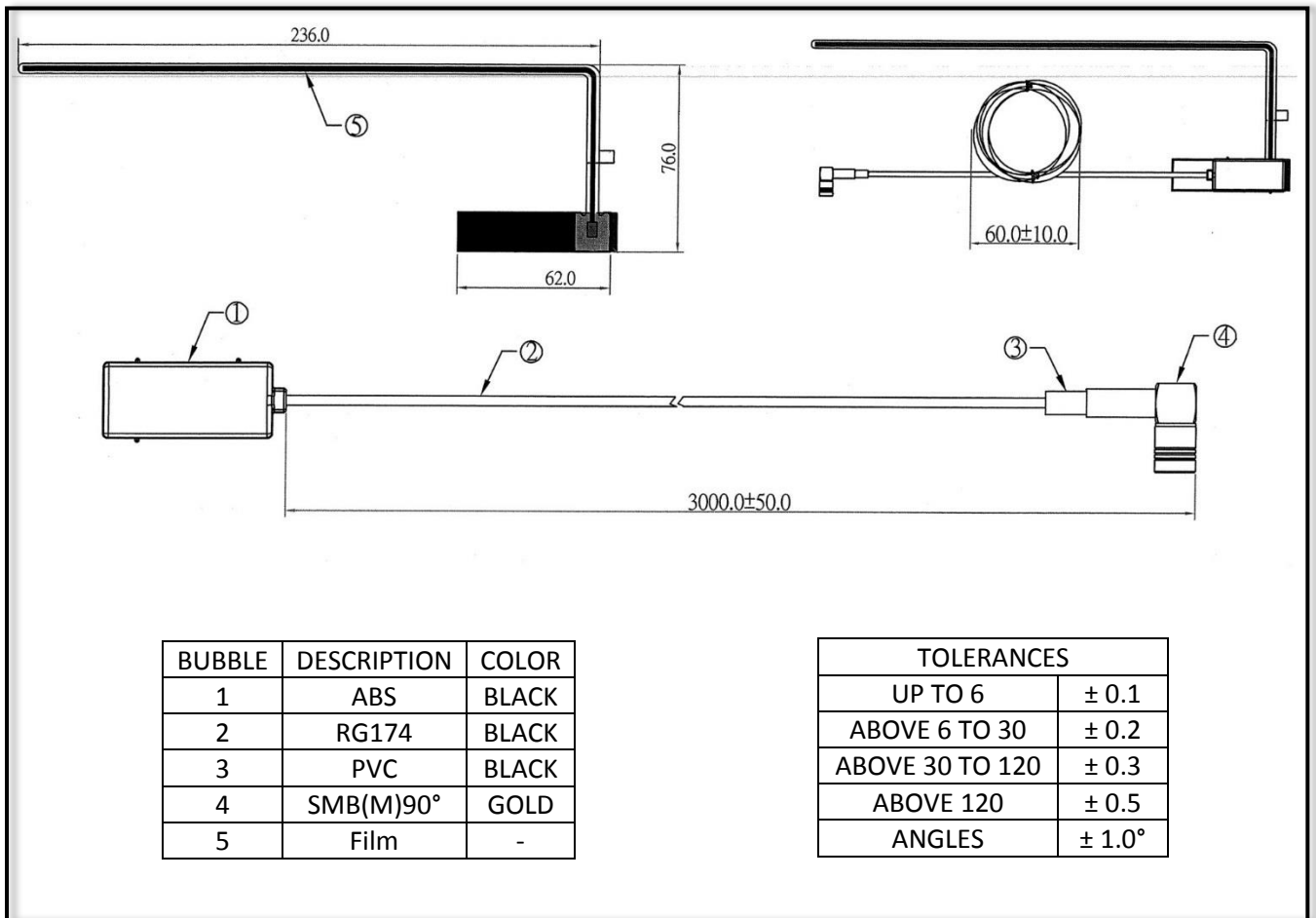
4. Materials Regulations

Product materials are compliant to ROHS.

5. Package

1 pc antenna into a PE bag.

6. Drawing



Revision History

0- 03/08/2018 First Release

X-ON Electronics

Largest Supplier of Electrical and Electronic Components

Click to view similar products for [Antennas](#) category:

Click to view products by [Per.Pic](#) manufacturer:

Other Similar products are found below :

[CCT FM1](#) [ABFT](#) [AD-NM-SMAF 001-0021](#) [CTC110](#) [MAF94149](#) [EXE902SF](#) [MMCX-SMA-100](#) [PDQ24496-91NF](#) [GAN30084EU](#) [930-033-R](#) [A08-HABUF-P5I](#) [AAF95035](#) [DG-ANT-20DP-BG-B](#) [APAMPGJ-141](#) [1513563-1](#) [OF86315-FNF](#) [OP24516DS-91NM](#) [A09-HASM-7](#) [EXE902MD](#) [EXE902SM](#) [SPDA17806/2170LAR](#) [APAMPG-117](#) [GPS1575SP26-004](#) [GPS15MGSMA](#) [CMD69273P-30NF](#) [CMQ69273-30NF](#) [RD2458-5-OTDR-NM](#) [RD2458-5-RSMA](#) [TRAB24/49003](#) [W4120ER5000](#) [W6102B0100](#) [YE572113-30RSMM](#) [108-00014-50](#) [SPDA17RP918](#) [OP24516SX-91NM](#) [OP24516SX-91RSMM](#) [CMQ69273P-30NF](#) [CMS69273-30NF](#) [CMS69273P-30NF](#) [TRAB24003N](#) [TRAB24003NP](#) [TRAB8213NP](#) [TRAB8903](#) [A09-Y8NF](#) [A09-Y11NF](#) [A09-HSM-7](#) [A09-F8NF-M](#) [A09-F5NF-M](#)