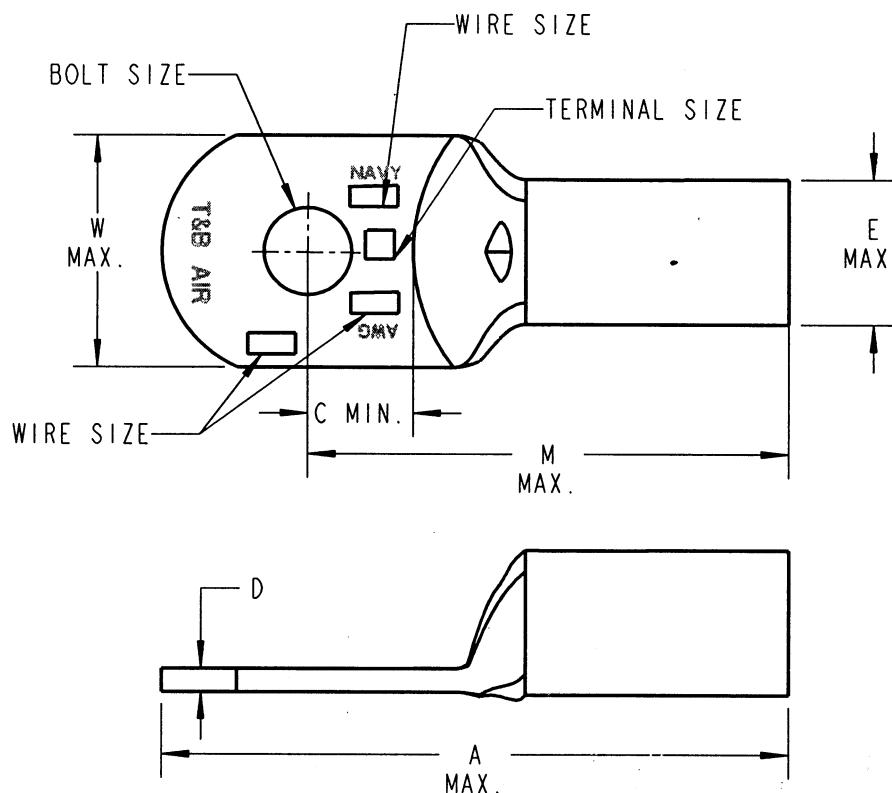




Sta-Kon



MATERIAL: COPPER FINISH: ELECTRO-TIN MEETS THE REQUIREMENTS OF MIL-T-10727A

QPL-7928

TYPE 1, CLASS 1 & CLASS 2.

* FOR NICKEL PLATED TERMINALS ADD NP SUFFIX TO CATALOG NUMBER.

* FOR SILVER PLATED TERMINALS ADD SP SUFFIX TO CATALOG NUMBER.

CAT NO. *	TBM6, TBM6S HAND TOOLS 25000 AIR TOOL 11802 INDENTOR WITH NEST	13642M HYDRAULIC HEAD		FIXED DIE TOOL
		HEX DIES	13650 INDENTOR WITH NEST	
G926, G971, G972 G973, G974, G975	11806	11736 OR 11784M	13654	WT3185
H971, H972, H973 H974, H975	11807	11737 OR 11785M	13655	WT3185
J971, J972, J973 J974, J975, J976	11808	11738 OR 11786M	13656	WT3185
K971, K972, K973 K974, K975	11809	11739 OR 11787M	13657	WT3185
L972, L973 L974, L975	11810	11740 OR 11788M	13658	WT3185
M971, M972, M973 M974, M975	11811	11771 OR 11789M	13659	WT3185

GENERAL NOTES

- ALL DIMENSIONS ARE FOR REFERENCE ONLY.
- DIMENSIONS IN BRACKETS [] ARE IN METRIC UNITS.

REVISIONS

4 SEE ERN 2011919 FOR APPROVAL SIGNATURES & RELEASE DATE.
PROJECT NO: TM400023

Thomas & Betts
www.tnb.com

DESCRIPTION: **STA-KON TERMINALS, ONE PIECE DESIGN FOR AIRCRAFT, NAVY & CODE WIRE**

ORIGINAL PROJECT NO / (ERN NO)

SHEET NO:

REV. NO:

DRAWING NO:

TM401323 / (2006128)

1 OF 2

4

WSD-000219

THIS DRAWING IS INTENDED FOR DESCRIPTIVE PURPOSES ONLY. AND THE RIGHT IS RESERVED TO DEVIATE FROM ANY OF THE DETAILS SHOWN HEREON.

©2010 Thomas & Betts - Proprietary. All Rights Reserved

ALL DIMENSIONS ARE APPROXIMATE, FOR REFERENCE ONLY.

CAT NO.*	WIRE SIZE	BOLT SIZE	A MAX.	M MAX.	W MAX.	C MIN.	E MAX.	D MAX.	MS20659 DASH NO
G926	#2 AIR 60-75 NAVY #1-2 CODE	10	1.61	1.28	.70	.38	.47	.11	146
G971		1/4	1.61	1.28	.70	.38			113
G972		5/16	1.61	1.28	.70	.38			147
G973		3/8	1.61	1.28	.70	.38			114
G974		7/16	1.79	1.42	.77	.52			148
G975		1/2	1.79	1.42	.77	.52			133
H971	#1 AIR #100 NAVY 1/0 CODE	1/4	1.85	1.48	.77	.48	.52		115
H972		5/16	1.85	1.48	.77	.48			149
H973		3/8	1.85	1.48	.77	.48			116
H974		7/16	1.94	1.57	.77	.57			150
H975		1/2	1.94	1.57	.77	.57			134
J971	#1/0 AIR #125 NAVY 2/0 CODE	1/4	1.94	1.53	.84	.48	.57	.13	117
J972		5/16	1.94	1.53	.84	.48			151
J973		3/8	1.99	1.58	.84	.53			118
J974		7/16	1.99	1.56	.89	.51			152
J975		1/2	1.99	1.56	.89	.51			135
J976		5/8	1.99	1.56	.89	.51			135
K971	#2/0 AIR #150 NAVY 3/0 CODE	1/4	2.08	1.62	.95	.47	.64		153
K972		5/16	2.08	1.62	.95	.47			119
K973		3/8	2.13	1.67	.95	.52			120
K974		7/16	2.13	1.67	.95	.52			154
K975		1/2	2.13	1.67	.95	.52			136
L972	#3/0 AIR #200 NAVY 4/0 CODE	5/16	2.18	1.68	1.04	.53	.70		155
L973		3/8	2.18	1.68	1.04	.53			121
L974		7/16	2.18	1.68	1.04	.53			156
L975		1/2	2.18	1.68	1.04	.53			122
M971	#4/0 AIR #250 NAVY 250 MCM CODE	1/4	2.42	1.86	1.14	.57	.77	.14	N/A**
M972		5/16	2.42	1.86	1.14	.57			157
M973		3/8	2.42	1.86	1.14	.57			123
M974		7/16	2.54	1.98	1.14	.68			158
M975		1/2	2.54	1.98	1.14	.68			124

** NOT MILITARY LISTED

Thomas & Betts
www.tnb.com

DESCRIPTION: **STA-KON TERMINALS, ONE PIECE DESIGN FOR AIRCRAFT,
NAVY & CODE WIRE**

SHEET NO:

2 OF 2

REV. NO:

4

DRAWING NO:

WSD-000219

X-ON Electronics

Largest Supplier of Electrical and Electronic Components

Click to view similar products for [abb manufacturer](#):

Other Similar products are found below :

[TV10-516R](#) [017667013](#) [RF727](#) [2CMA100178R1000](#) [2CMA100163R1000](#) [5SDD 92Z0401](#) [00820](#) [ESV14-BS](#) [EZS-21-250](#) [F204AC-40/0.03](#)
[F362-25/0.03](#) [GJL1213001R0017](#) [GJL1213001R0101](#) [GJL1311201R0001](#) [GJL1313001R0011](#) [GJL1313001R0101](#) [GJL1317201R0001](#)
[A40-30-10-84](#) [AF09-30-01-11](#) [AF460-30-11-68](#) [1455](#) [EF45-30](#) [ERG297](#) [HSC2-20](#) [1SAM201904R1001](#) [1SAM350000R1003](#)
[1SAZ721201R1009](#) [1SAZ721201R1014](#) [1SAZ721201R1025](#) [1SBL367001R1300](#) [1SBN010110R1001](#) [1SBN010110R1010](#)
[1SBN010140R1122](#) [1SDA057197R1](#) [1SFA611130R1103](#) [1SFA611143R1101](#) [1SFA611202R1108](#) [1SFA611203R1108](#) [1SFA611215R1001](#)
[1SFA611216R1108](#) [1SFA611285R1002](#) [1SFA611702R6006](#) [1SFA616162R1025](#) [1SFA616921R2021](#) [1SFA619100R3015](#)
[1SFA619403R5022](#) [1SVR730020R0200](#) [IPC4111](#) [OS30FACC12](#) [OS60GJ03](#)