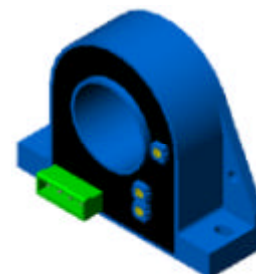


AC/DC Current transducer DHR-C420

$$I_{PN} = 100..1000 \text{ A}$$

The transducer for the electronic measurement DC & distorted AC waveforms current, with galvanic isolation between the primary (High power) and the secondary circuits (Electronic circuit). True RMS 4-20mA current output.



Electrical data

Primary Nominal DC & AC Current I_{PN} (A.t.RMS)	Primary AC Current Max. Peak Value I_P (A)	Analogue Output Signal I_{OUT} (mADC)	Type
100	600	4-20	DHR 100 C420
200	600	4-20	DHR 200 C420
300	1000	4-20	DHR 300 C420
400	1000	4-20	DHR 400 C420
500	1800	4-20	DHR 500 C420
600	1800	4-20	DHR 600 C420
1000	1800	4-20	DHR 1000 C420

R_L	Load resistance	< 300	Ω
V_C	Supply voltage (loop powered)	+20 .. 50	V DC
I_C	Current consumption	30 mA + I_{OUT}	
	Limitation of output current	< 25	mA
	Overloaded input current (Ampere Turns)	30000	At

Accuracy-Dynamic performance data

X	Accuracy @ I_{PN} , $T_A = 25^\circ\text{C}$ (without offset)	< ± 1	% of I_{PN}
e_L	Linearity (1% of $I_{PN} \dots \pm I_{PN}$)	< ± 1.0	% of I_{PN}
I_{OE}	Electrical offset current, $T_A = 25^\circ\text{C}$	4	mA
I_{OT}	Thermal drift of I_{OE} (-20..+60 $^\circ\text{C}$)	± 1.6	$\mu\text{A/K}$
	(-40..+70 $^\circ\text{C}$)	± 3.2	$\mu\text{A/K}$
TCE_G	Thermal drift of the gain (% of reading)	± 0.1	%/K
t_r	Response time @ 90% of I_p	< 150	ms
f	Frequency bandwidth ($\pm 1\%$)	DC 20..6000Hz	

General data

T_A	Ambient operating temperature	-40 .. +70	$^\circ\text{C}$
T_S	Ambient storage temperature	-40 .. +85	$^\circ\text{C}$
m	Mass	260	g
	Protection type	IP20	
	UL94 classification	V0	

Notes : Installation and maintenance should be done with power supply disconnected.
The operator must have accreditation to install this material.
The users must take care of all protection guarantee against electrical shock.

Features

- VFD and SCR waveforms current measurement
- True RMS output
- 4-20mA current output
- Panel mounting
- Eliminates insertion loss

Advantages

- Large aperture for cable up to $\varnothing 32\text{mm}$
- High isolation between primary and secondary circuits
- Easy to mount

Applications

- VFD Controlled Loads:
VFD output indicates how the motor and attached load are operating.
- SCR Controlled Loads:
Accurate measurement of phase angle fired or burst fired (time proportioned) SCRs. Current measurement gives faster response than temperature measurement.
- Switching Power Supplies and Electronic Ballasts:
True RMS sensing is the most accurate way to measure power supply or ballast input power.

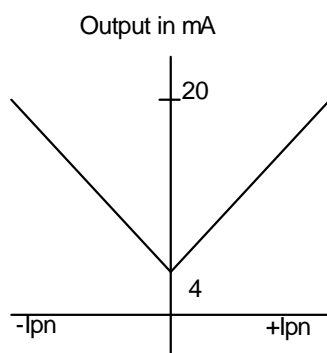
Current Transducer DHR-C420

Isolation characteristics

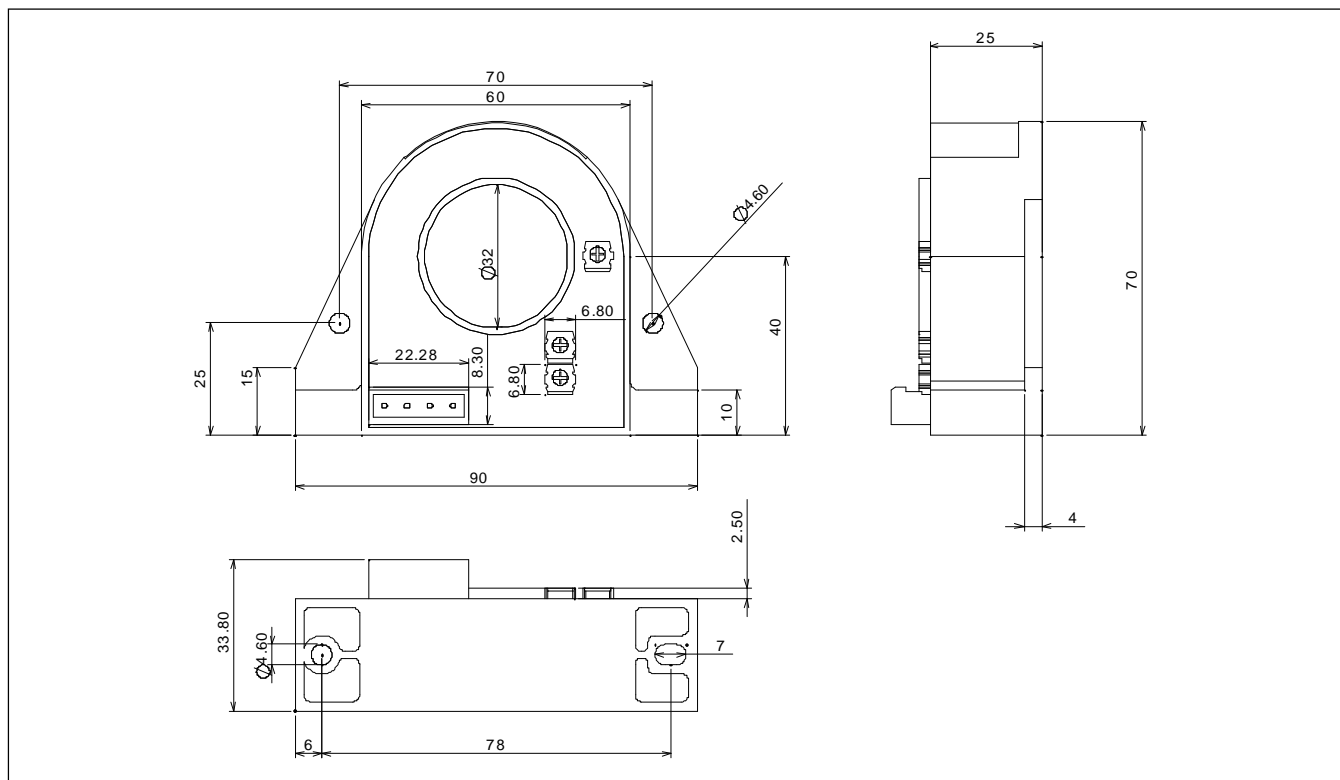
V_b	Rated Voltage with IEC 61010-1 acc. to the 61326 standards and following conditions : - Single insulation - Over voltage category CAT III - Pollution degree PD2 - None uniform field	1000	V
V_d	R.m.s. voltage for AC insulation test, 50Hz, 1min	5	kV
dCp	Creepage distance	11	mm
dCl	Clearance distance	11	mm
CTI	Comparative tracking index (Group I)	600	

Notes :

Output polarity with DC input

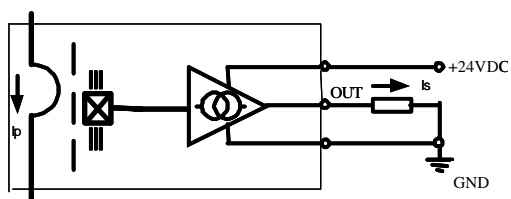
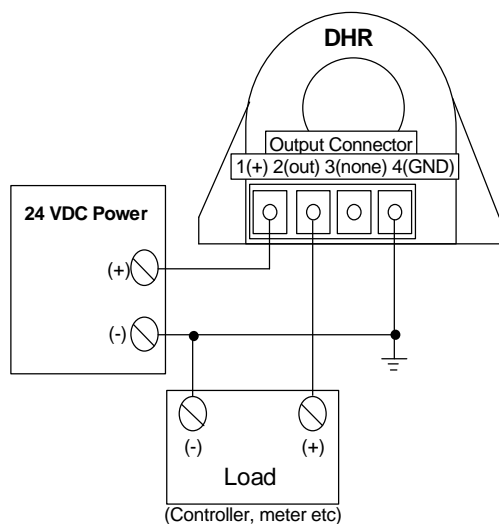


Dimensions DHR-C420 (in mm. 1 mm = 0.0394 inch)



Connections

- Wires up to 2 mm \varnothing



Mechanical characteristics

- General tolerance ± 1 mm
- Primary aperture $\varnothing 32.0$ mm
- Panel mounting 4 holes $\varnothing 4.6$ mm
- Distance between holes 70 mm & 78 mm
(see above drawings)

For panel mounting, replace M4 screws by new one (not supplied) with appropriate length to panel's thickness.

Safety



This transducer must be used in electric/electronic equipment with respect to applicable standards and safety requirements in accordance with the following manufacturer's operating instructions.



Caution, risk of electrical shock

When operating the transducer, certain parts of the module can carry hazardous voltage (eg. primary busbar, power supply). Ignoring this warning can lead to injury and/or cause serious damage.

This transducer is a built-in device, whose conducting parts must be inaccessible after installation.

A protective housing or additional shield could be used.

Main supply must be able to be disconnected.

050526/4

X-ON Electronics

Largest Supplier of Electrical and Electronic Components

Click to view similar products for [lem manufacturer](#):

Other Similar products are found below :

[DHR 100 C10](#) [FHS 40-P KIT 4-1P](#) [FHS 40-P KIT 9-1P](#) [AP 50 B10](#) [APR 50 B10](#) [DHR 1000 C420](#) [ATO-60-B225-D10](#) [DVL 750-UI](#) [LV25-P](#)
[LAH100-P](#) [LA125-P](#) [DHR 100 C420](#) [HAS50-S/SP50](#) [HO 250-/SP30](#) [HLSR 10-P](#) [DIN RAIL ADAPTER ATO-D10](#) [DIN RAIL ADAPTER](#)
[ATO-D16](#) [DHAB S/118](#) [LF 305-S](#) [HY 20-P](#) [HTFS 400-P](#) [HO 60-NP](#) [AT100B10](#) [HAL 600-S](#) [AT 10 B10](#) [LA100-P](#) [LF205-S](#) [LTSR 25-NP](#)
[RT 2000](#) [HLSR 40-P/SP33](#) [HX 05-NP](#) [HLSR 16-SM](#) [HO 50-S/SP33-1106](#) [hat800-s](#) [HAT400-S](#) [ART-B22-D070](#) [AT10B420L](#) [DVL 2000](#)
[HAIS 50-TP](#) [HTB 50-TP](#) [LAS 50-TP/SP1](#) [HAS 200-S](#) [CAS25-NP](#) [HO 6-P/SP33](#) [HAS 300-S](#) [HLSR 10-P/SP1](#) [HO 10-P/SP33](#) [has100-s/sp50](#)
[HAL 100-S](#) [HO 240-P](#)