

EK EKHA 130 G



Sample photo

Order symbol: EKHA 130 G
Product nbr: 2538001
Description: Enclosure, PC
Remarks: Grey cover

EAN: 6418074013446
EI. number:
 Finland: 3425400
 Electric No. Italy: 7501010
 Electric No. Sweden: 2538001

Including: Flanged Base with screws for mounting plate, cover with PUR gasket and polyamide cover screws.

Dimensions:	Length	Width	Height	Accessories:	
mm:	190	190	130	EKHS	Base, PC
inch:	7.5	7.5	5.1	EKH 30-G	Cover
				EKH 80-G	Cover

Materials:	
Material:	Polycarbonate
Base colour:	RAL 7035 -light grey
Cover screws material:	Polyamide
Cover colour:	RAL 7035 -light grey
Cover screws colour:	Grey
Gasket material:	Polyurethane

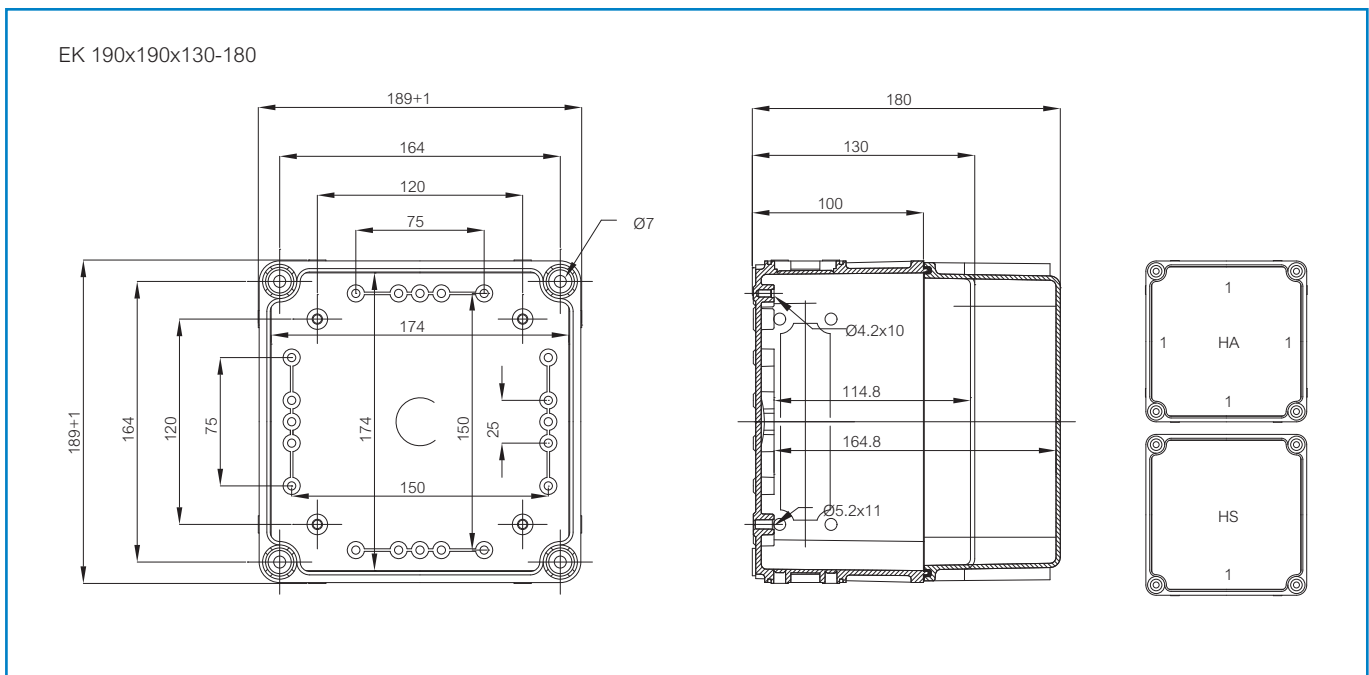
EKH 30-T	Cover
EKH 80-T	Cover
EKHVT	Mounting plate
EKHXT	Mounting plate isolated
EKV 12	DIN-35 Mounting rail

Temperatures:	
Temperature °C (short term):	-40 ... 120 °C
Temperature °C (continuous):	-40 ... 80 °C
Temperature °F (short term):	-40 ... 250 °F
Temperature °F (continuous):	-40 ... 175 °F

Rating:
Ingress Protection (EN 60529): IP66/IP67
Impact Resistance (EN 62262): IK08
Electrical insulation: Totally insulated
Halogen free (DIN/VDE 0472, Part 815): 1
UV resistance: UL 508
Flammability Rating: UL 746C 5"
Glow Wire Test (IEC 695-2-1) °C: 960
NEMA Class: NEMA 1, 3, 3S, 4, 4X, 6, 6P, 12

Accessories:	
EKHA	Base, PC

Certificates:
Germanischer Lloyd (GL)
SGS Fimko
Lloyds Register of Shipping (LR)
Gost R



X-ON Electronics

Largest Supplier of Electrical and Electronic Components

Click to view similar products for [fibox manufacturer](#):

Other Similar products are found below :

[MPS ARCA 5040](#) [PCM 175/75 T](#) [ABQ3 364015](#) [EKMVT](#) [CAB ABSQ 302017G](#) [CAB P 302017](#) [CAB PC 303018 G3B](#) [CAB PCQ 404017 T](#)
[ABS 150/125 HG](#) [PCT 081206](#) [CAB ABS 302018 G](#) [CAB PC 303018 T3B](#) [CAB PCQ 303017 T](#) [CAB PCQ 404017 G](#) [PC 5628 13 T](#) [TAM](#)
[090706 MC](#) [ARCA 705030](#) [ARCA 406021](#) [MP 6040](#) [ARCA 405021](#) [ARCA 507030](#) [ARCA 604021](#) [ARCA 806030](#) [EKOE 130 G](#) [2539543](#)
[DRS ARCA 403015](#) [DRS ARCA 304021](#) [DRS ARCA 302015](#) [DRS ARCA 203015](#) [PC 100/125 HG](#) [PC 100/75 HT](#) [PC 300/150 ZG](#) [PCM](#)
[175/150 G](#) [PCM 125/100 G](#) [PC 125/125 HG](#) [PC 200/63 HT](#) [ABS D 65 G](#) [CAB PC 302018 G](#) [CAB ABSQ 403017 G](#) [CAB PC 302018 G3B](#)
[7094450](#) [PC 1919 13 T-2FSH](#) [PC 200/150 HT](#) [9821007](#) [EKPE 130 G ENCLOSURE](#) [ABS C 85 G](#) [FEX 3828 18 T ENCLOSURE](#) [FP 12017](#)
[SET](#) [CAB PC 302018 G CABINET](#) [EKIV 33 MOUNTING PLATE](#)