

**EK EKJB 130 T**



Sample photo

**Order symbol:** EKJB 130 T  
**Product nbr:** 2538113  
**Description:** Enclosure, PC  
**Remarks:** Transparent cover

**EAN:** 6418074013750  
**EI. number:**  
 Finland: 3425456  
 Electric No. Italy: 7502020  
 Electric No. Sweden: 2538113

Including: Flanged Base with screws for mounting plate, cover with PUR gasket and polyamide cover screws.

Dimensions:	Length	Width	Height	Accessories:
mm:	280	190	130	EKJ 30-G Cover
inch:	11.0	7.5	5.1	EKJ 80-G Cover
				EKJ 30-T Cover
				EKJ 80-T Cover

**Materials:**

<b>Material:</b>	Polycarbonate
<b>Base colour:</b>	RAL 7035 -light grey
<b>Cover screws material:</b>	Polyamide
<b>Cover colour:</b>	Clear transparent
<b>Cover screws colour:</b>	Grey
<b>Gasket material:</b>	Polyurethane

EKJVT	Mounting plate
EKJXT	Mounting plate isolated
EKV 12	DIN-35 Mounting rail
EKV 22	DIN-35 Mounting rail
EKJZR	Extension frame

**Temperatures:**

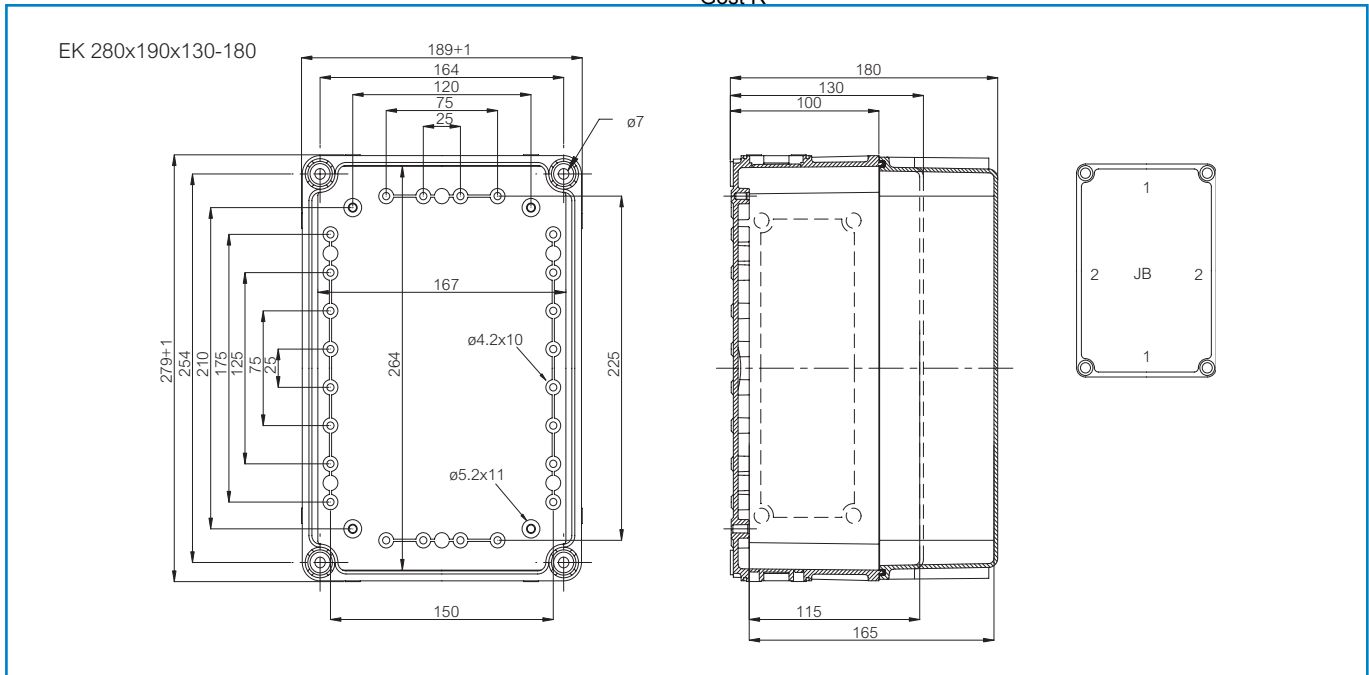
<b>Temperature °C (short term):</b>	-40 ... 120 °C
<b>Temperature °C (continuous):</b>	-40 ... 80 °C
<b>Temperature °F (short term):</b>	-40 ... 250 °F
<b>Temperature °F (continuous):</b>	-40 ... 175 °F

**Rating:**  
 Ingress Protection (EN 60529): IP66/IP67  
 Impact Resistance (EN 62262): IK08  
 Electrical insulation: Totally insulated  
 Halogen free (DIN/VDE 0472, Part 815): 1  
 UV resistance: UL 508  
 Flammability Rating: UL 746C 5"  
 Glow Wire Test (IEC 695-2-1) °C: 960  
 NEMA Class: NEMA 1, 3, 3S, 4, 4X, 6, 6P, 12

**Accessories:**

EKJB	Base, PC
------	----------

**Certificates:**  
 Germanischer Lloyd (GL)  
 SGS Fimko  
 Lloyds Register of Shipping (LR)  
 Gost R



## X-ON Electronics

Largest Supplier of Electrical and Electronic Components

*Click to view similar products for [fibox manufacturer](#):*

Other Similar products are found below :

[MPS ARCA 5040](#) [PCM 175/75 T](#) [ABQ3 364015](#) [EKMVT](#) [CAB ABSQ 302017G](#) [CAB P 302017](#) [CAB PC 303018 G3B](#) [CAB PCQ 404017 T](#)  
[ABS 150/125 HG](#) [PCT 081206](#) [CAB ABS 302018 G](#) [CAB PC 303018 T3B](#) [CAB PCQ 303017 T](#) [CAB PCQ 404017 G](#) [PC 5628 13 T](#) [TAM](#)  
[090706 MC](#) [ARCA 705030](#) [ARCA 406021](#) [MP 6040](#) [ARCA 405021](#) [ARCA 507030](#) [ARCA 604021](#) [ARCA 806030](#) [EKOE 130 G](#) [2539543](#)  
[DRS ARCA 403015](#) [DRS ARCA 304021](#) [DRS ARCA 302015](#) [DRS ARCA 203015](#) [PC 100/125 HG](#) [PC 100/75 HT](#) [PC 300/150 ZG](#) [PCM](#)  
[175/150 G](#) [PCM 125/100 G](#) [PC 125/125 HG](#) [PC 200/63 HT](#) [ABS D 65 G](#) [CAB PC 302018 G](#) [CAB ABSQ 403017 G](#) [CAB PC 302018 G3B](#)  
[7094450](#) [PC 1919 13 T-2FSH](#) [PC 200/150 HT](#) [9821007](#) [EKPE 130 G ENCLOSURE](#) [ABS C 85 G](#) [FEX 3828 18 T ENCLOSURE](#) [FP 12017](#)  
[SET](#) [CAB PC 302018 G CABINET](#) [EKIV 33 MOUNTING PLATE](#)