

# FS-06

## Features

- Rugged Brass housing
- Minimum pressure drop
- Operates from a small head of water
- Vertical mount +/-15
- Suitable for water and air flow switching

## Comments

- 22mm Compression fitting
- Suitable for hot and cold potable water
- Reed Switch Reliability (UL File E153493)
- Easy installation
- Easy installation

## Applications

- Mains water control
- Power shower
- Central heating systems
- Circulation pump protection
- Cooling systems



## Material

<b>Housing Material</b>	Brass
<b>Shuttle Material</b>	Noryl
<b>Contact Material</b>	Ruthenium
<b>Operating Temperature °C</b>	-30 to 100
<b>Medium</b>	Water
<b>Housing Colour</b>	Brass

## Mechanical Specifications

<b>Shock</b>	50g for 11mS duration
<b>Vibration</b>	35g up to 500Hz
<b>Maximum Pressure</b>	10 Bar @ 20
<b>IP</b>	IP65

## Switching

<b>Switch Action (Reed Switch)</b>	SPST
<b>Max Switching Voltage VDC</b>	200
<b>Max Switching Voltage VAC</b>	250
<b>Max Switching Current Amps</b>	1
<b>Max Switching Load Watt</b>	40
<b>Switch On Flow Rate L/min</b>	1.0 +/- 0.5
<b>Operate Mode</b>	N/O, close with Flow
<b>Contact Form</b>	A

## Cable

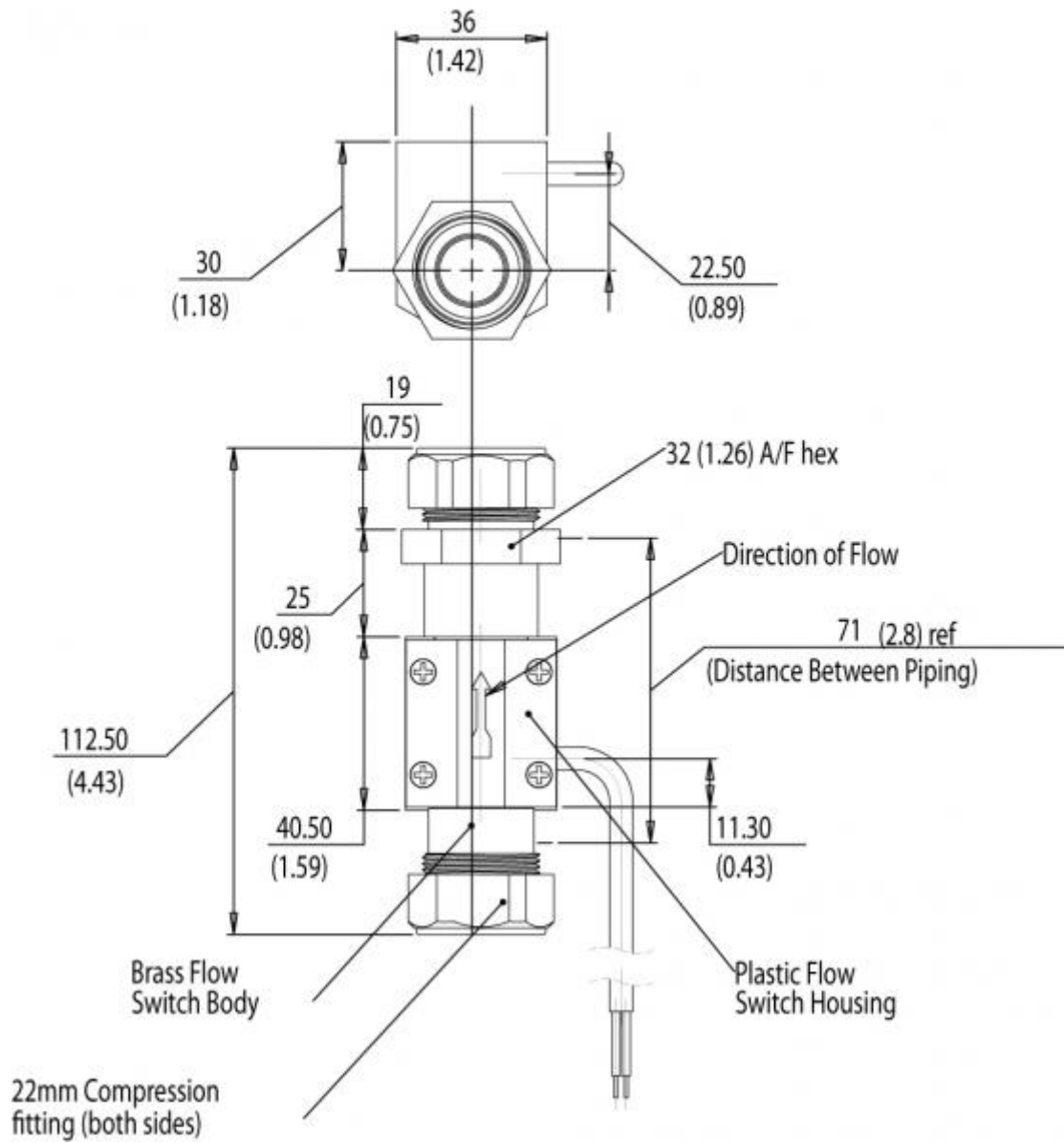
<b>Cable Length</b>	1 x 1.0M double insulated
<b>Connection Type</b>	Stripped Cables
<b>Cable Type</b>	0.5MM2 BS6500 PVC
<b>Cable Colour</b>	Grey outer Blue/Brown inner

## Mounting

<b>Thread</b>	22mm Compression
<b>Fitting</b>	In Line
<b>Mounting</b>	Vertical, flow upwards

## Technical Drawing

# FS-06



Gentech International Limited  
Grangestone Industrial Estate  
Girvan  
Ayrshire  
KA26 9PS  
United Kingdom

Tel: +44 1465 716999  
Fax: +44 1465 714974  
Email: [info@gentechsensors.com](mailto:info@gentechsensors.com)  
[www.gentechsensors.com](http://www.gentechsensors.com)

## X-ON Electronics

Largest Supplier of Electrical and Electronic Components

*Click to view similar products for te connectivity manufacturer:*

Other Similar products are found below :

[4-1633138-8](#) [570416-000](#) [CLTEQ-M81CE-SSRELAY-4-20V](#) [D38999/24FJ4AN](#) [4-1195131-0](#) [650069-000](#) [SMD100-2](#) [CB-1022B-78](#)  
[RM707012](#) [RP410012](#) [MMS42](#) [1-640426-8](#) [2EDL4CM](#) [DTS20W19-11PD-3028-LC](#) [RM202615](#) [NC6-P104-06](#) [MSPS103B](#) [DTS26F21-](#)  
[41HE-LC](#) [DTS26F21-41AE](#) [DTS26F21-41PE-LC](#) [DTS26F21-11SE-3028-LC](#) [1932144-1](#) [293545-4](#) [LVR125S](#) [MS27466T25F4PB](#) [CKB-38-](#)  
[78010](#) [1206SFF150F/63-2](#) [D38999/20JB35HA](#) [D38999/24WJ20PA](#) [TE1500A2R2J](#) [DTS24F25-29PC-3028-LC](#) [D38999/24WG11HA](#)  
[D38999/24WG11HN](#) [MS27467T21F11H](#) [DJT16E21-11HA](#) [1206SFH150F/24-2](#) [DTS24F19-11SC-3028-LC](#) [DTS24F21-41HN-LC](#)  
[DTS24F21-41AN](#) [DTS24F21-41PN-LC](#) [RP330024](#) [MS27467T21F35J](#) [MS27467T21F11J](#) [MS27467T21F16H-LC](#) [MS27467T21F35H](#)  
[MS27467T21F41H-LC](#) [DJT16E21-11PA-LC](#) [DJT16E21-11HA-LC](#) [DJT16E21-11AA](#) [MS27467T21B11JA](#)