

POSITION SENSOR

PS8 Series – Threaded Proximity Sensor

PS811

Design Features

- Adjustable in conjunction with PM81 Magnet
- Move to target via lock nuts and through chassis mounting
- High repeatability
- Shunt or direct magnet operation
- Multiple Mode of Operation



Product Comments

- Threaded Barrel Mounted
- Normally Open
- Nylon 6.6 Material Housing
- Overall length 38.2mm Threaded Area
- fitted with 2 lock nuts

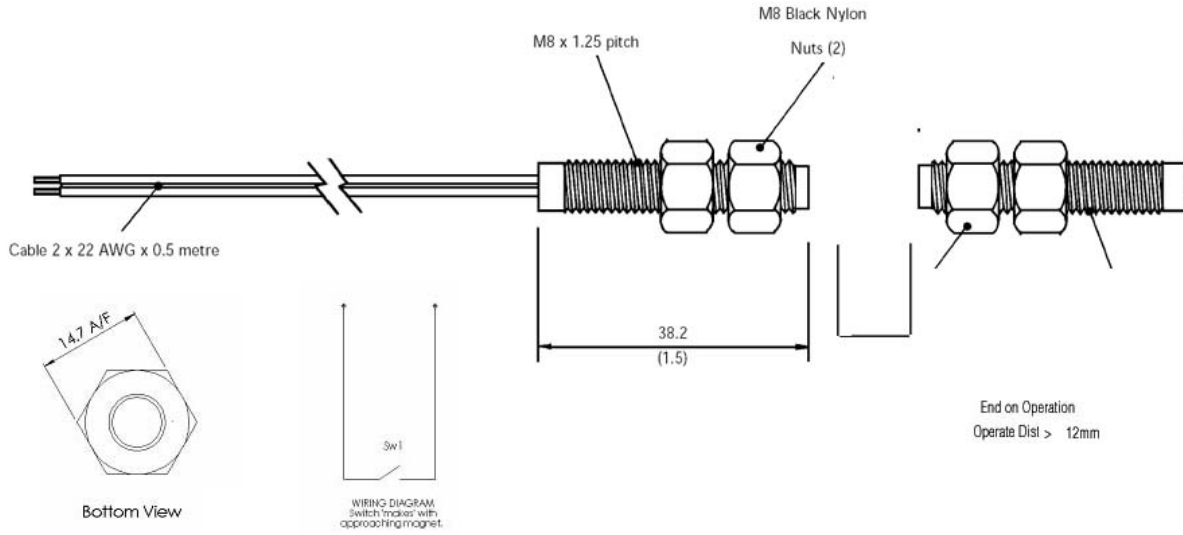
Typical Applications

- Door Interlocks
- Hook Switches
- Security Systems
- Safety Interlocks
- Position Indication

Material, Design and Operation

Mounting:	Threaded
Material:	Nylon 6.6
Contact Form:	Form A - SPST
Contact Material:	Ruthenium
Maximum Switching Volts:	250 VAC
Maximum Switching Current:	1.0A
Switching Action:	SPST
Maximum Power:	15 Watts
Housing Temperature Range °C:	110
Connection Type:	Stripped Cables
Cable Type:	2 core 1.5 Metres long
Operating Temperature Range °C:	110
Actuation Method:	Magnetic
Mounting Shock:	50g for 11ms duration
Mounting Vibration:	35g up to 500Hz
Magnetic Approach:	End Operate

Line Drawing



X-ON Electronics

Largest Supplier of Electrical and Electronic Components

Click to view similar products for te connectivity manufacturer:

Other Similar products are found below :

[4-1633138-8](#) [570416-000](#) [CLTEQ-M81CE-SSRELAY-4-20V](#) [D38999/24FJ4AN](#) [4-1195131-0](#) [650069-000](#) [SMD100-2](#) [CB-1022B-78](#)
[RM707012](#) [RP410012](#) [MMS42](#) [1-640426-8](#) [2EDL4CM](#) [DTS20W19-11PD-3028-LC](#) [RM202615](#) [NC6-P104-06](#) [MSPS103B](#) [DTS26F21-](#)
[41HE-LC](#) [DTS26F21-41AE](#) [DTS26F21-41PE-LC](#) [DTS26F21-11SE-3028-LC](#) [1932144-1](#) [293545-4](#) [LVR125S](#) [MS27466T25F4PB](#) [CKB-38-](#)
[78010](#) [1206SFF150F/63-2](#) [D38999/20JB35HA](#) [D38999/24WJ20PA](#) [TE1500A2R2J](#) [DTS24F25-29PC-3028-LC](#) [D38999/24WG11HA](#)
[D38999/24WG11HN](#) [MS27467T21F11H](#) [DJT16E21-11HA](#) [1206SFH150F/24-2](#) [DTS24F19-11SC-3028-LC](#) [DTS24F21-41HN-LC](#)
[DTS24F21-41AN](#) [DTS24F21-41PN-LC](#) [RP330024](#) [MS27467T21F35J](#) [MS27467T21F11J](#) [MS27467T21F16H-LC](#) [MS27467T21F35H](#)
[MS27467T21F41H-LC](#) [DJT16E21-11PA-LC](#) [DJT16E21-11HA-LC](#) [DJT16E21-11AA](#) [MS27467T21B11JA](#)