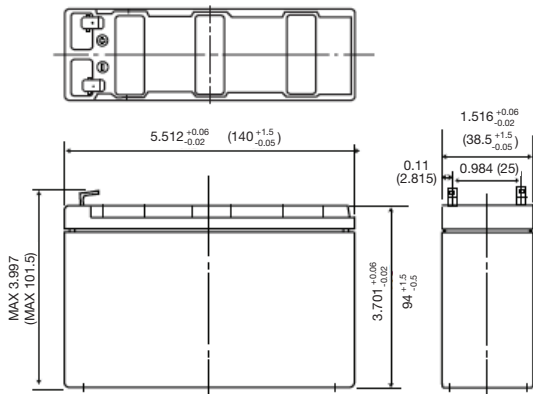
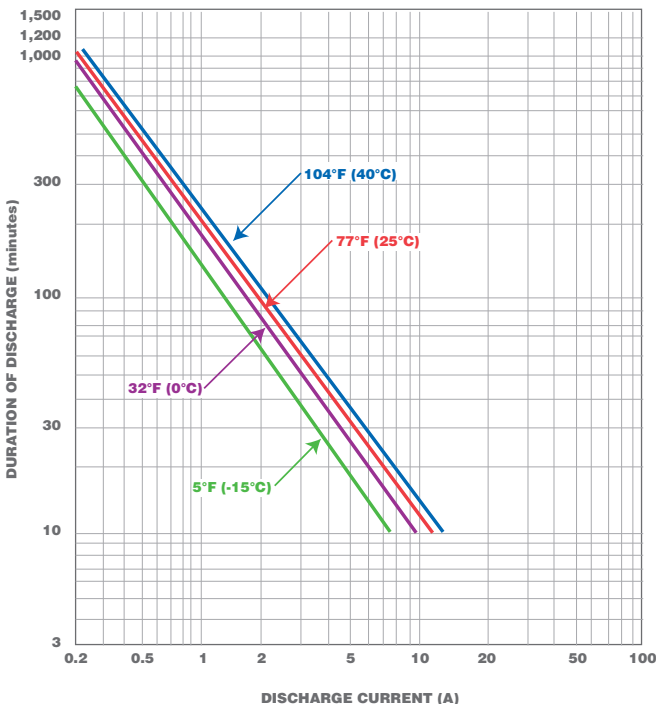




Dimensions



Duration of Discharge vs. Discharge Current



Features & Benefits

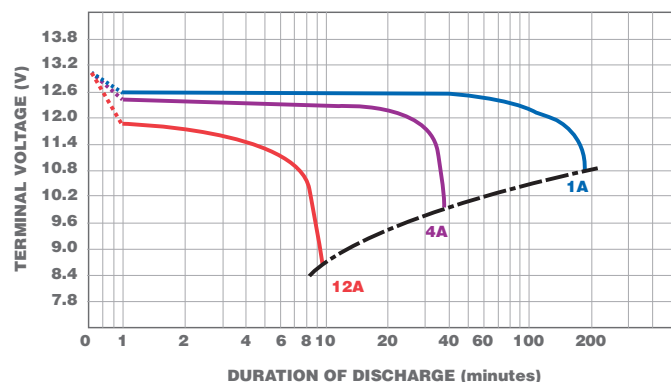
- High quality and reliability
- Exceptional deep discharge recovery
- No corrosive gas generation
- Long service life
- Quick chargeability
- High power density
- Maintenance-free operation

Specifications

Nominal Voltage:	12V	
Weight:	1.30 kg	
Standard Terminals & Resin	UL94 V-0 Faston 250	
Capacity 77°F (25°C) (9.6V cutoff):	30 min. rate	57W
	15 min. rate	91W
	10 min. rate	120W
	5 min. rate	180W
Internal Resistance:	Fully charged battery	Approx. 35mΩ
Temperature dependency of capacity (20 hour rate):	104°F (40°C)	102%
	77°F (25°C)	100%
	32°F (0°C)	85%
	5°F (-15°C)	65%
Self discharge 77° (25°C):	Residual capacity after standing 3 mos.	91%
	Residual capacity after standing 6 mos.	82%
	Residual capacity after standing 12 mos.	64%
Charge Method (Constant Voltage):	Initial current	0.6A or smaller
	Trickle use	13.6V to 13.8V (per 12V cell 25°C)
	Control Voltage	(per 12V cell 25°C)

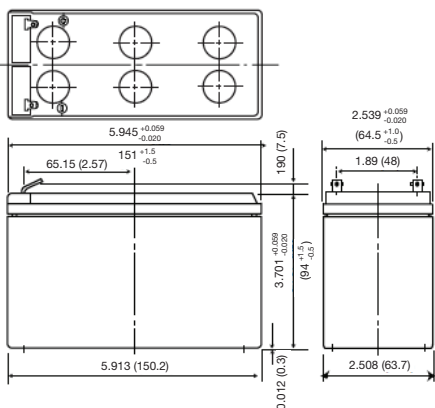
NOTE: Case resin flame retardant material is UL94 VO

Discharge Characteristics 77°F (25°C)

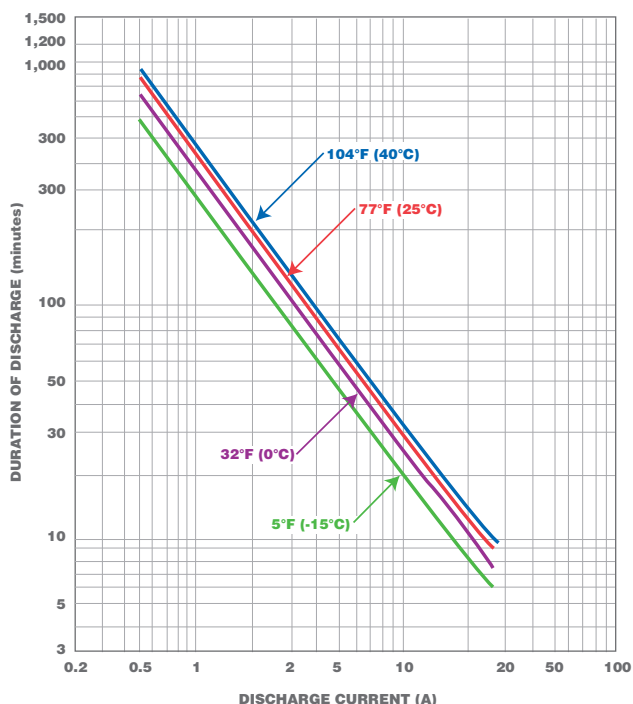




Dimensions



Duration of Discharge vs. Discharge Current



Features & Benefits

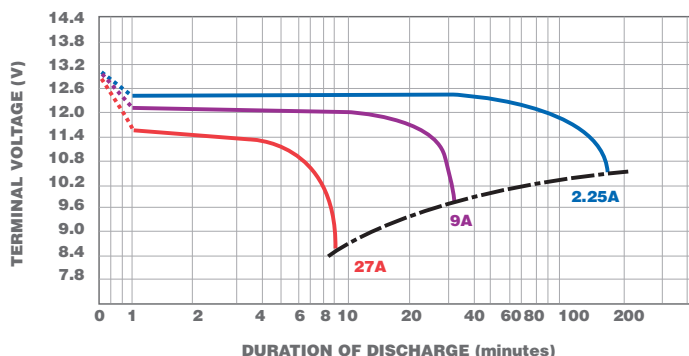
- High quality and reliability
- Exceptional deep discharge recovery
- No corrosive gas generation
- Long service life
- Quick chargeability
- High power density
- Maintenance-free operation

Specifications

Nominal Voltage:	12V	
Weight:	2.6 kg	
Standard Terminals & Resin	UL94 V-0 Faston 250	
Capacity 77°F (25°C) (9.6V cutoff):	30 min. rate	112W
	15 min. rate	195W
	10 min. rate	268W
	5 min. rate	410W
Internal Resistance:	Fully charged battery	Approx. 21mΩ
	77°F (25°C)	
Temperature dependency of capacity (20 hour rate):	104°F (40°C)	102%
	77°F (25°C)	100%
	32°F (0°C)	85%
	5°F (-15°C)	65%
Self discharge 77° (25°C):	Residual capacity after standing 3 mos.	91%
	Residual capacity after standing 6 mos.	82%
	Residual capacity after standing 12 mos.	64%
Charge Method (Constant Voltage):	Initial current	1.25A or smaller
	Trickle use	13.6V to 13.8V (per 12V cell 25°C)
Control Voltage		(per 12V cell 25°C)

NOTE: Case resin flame retardant material is UL94 VO

Discharge Characteristics 77°F (25°C)



X-ON Electronics

Largest Supplier of Electrical and Electronic Components

Click to view similar products for [Sealed Lead Acid Battery](#) category:

Click to view products by [Panasonic](#) manufacturer:

Other Similar products are found below :

[1109004](#) [0809-0012](#) [0819-0012](#) [0850-0004](#) [0859-0012](#) [0800-0004](#) [LC-R0612P](#) [PS-1250F1](#) [APCRBC123](#) [APCRBC124](#) [LCRA1212P](#) [NP12-12](#) [NP12-6](#) [NP3.2-12](#) [LC-P0612P](#) [LC-R063R4P](#) [LC-R067R2P1](#) [LC-R121R3P](#) [LC-R0612P1](#) [LC-R127R2P1](#) [LC-X1220AP](#) [UP-VW1245P1](#)
[2320296](#) [2320306](#) [2320319](#) [2320322](#) [2320335](#) [2320416](#) [2320429](#) [2908237](#) [RBC32](#) [RBC11A](#) [RBC36-SLT](#)