

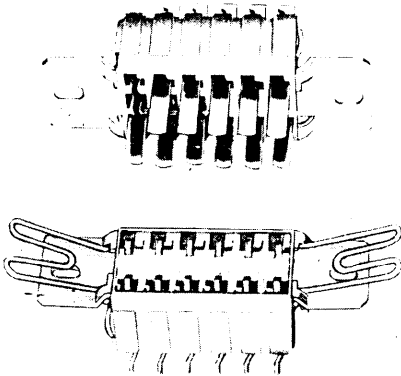
McMurdo

CONNECTORS

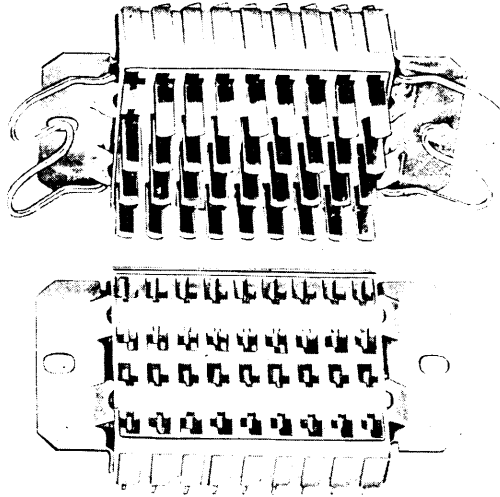
700 Series

104-702 to 717

Equivalent to
BT Style 202
2 row



Equivalent to
BT Style 203
4 row



The McMurdo 700 Series of connectors is manufactured in eleven sizes and approved by British Telecom against their styles 202 and 203. The two row version (BT202) is produced in 7–31 ways and the 4 row (BT203) in 35–71. All sizes are fitted with Polarising facilities in the end cavity as standard.

The Connectors with Solder Tail contacts can be supplied with a choice of mounting brackets or a cover with reversible cable clamp for top or side entry. As an alternative termination style a p.c. tail is also available for sockets fitted with mounting brackets. Connectors with mounting brackets may also have latch springs fitted.

TECHNICAL DATA

MATERIALS & FINISHES

Plug and Socket bodies
Plug contacts:

Socket contacts

Cover
Latching springs

Glass filled polyester
Brass, plated hard acid gold
over nickel
Spring quality Phosphor
bronze, plated hard acid gold
over nickel
Plastic clad aluminium
Stainless steel

ELECTRICAL

Current
All contacts simultaneously
Working Voltage (Sea Level 1013 mbar.)
Proof Voltage (Sea Level 1013 mbar.)
Contact Resistance (initially)
(after conditioning)
Insulation Resistance (initially)
(after conditioning)

at 55°C Tamb. 3A
500 V d.c. or a.c. peak
1500 V d.c. or a.c. peak
10mΩ max.
15mΩ max.
10⁴ MΩ min.
10³ MΩ min.

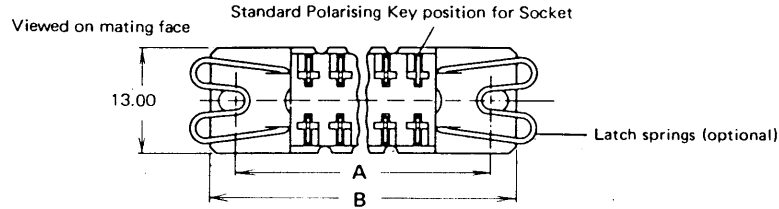
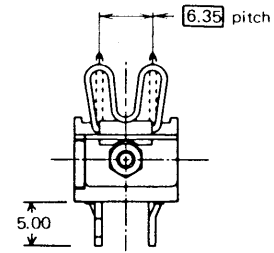
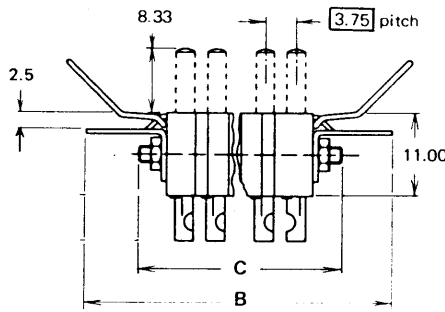
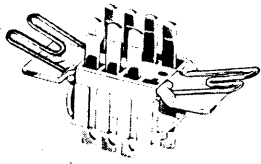
MECHANICAL

Environmental Classification
Mechanical Endurance

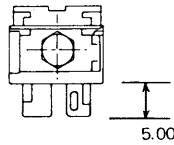
25/085/21
500

NOTE: Dimensions throughout this catalogue are shown in millimetres and are maxima unless stated otherwise.

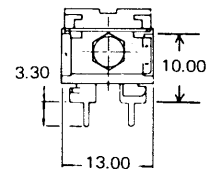
Plug



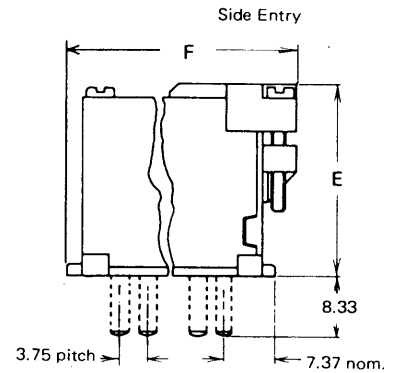
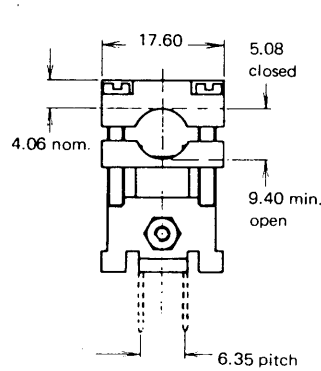
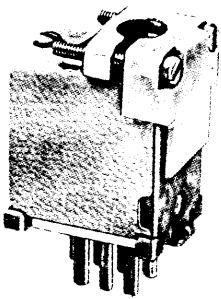
2 Row Solder Tail Socket



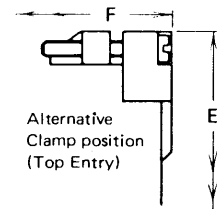
2 Row p.c. Tail Socket



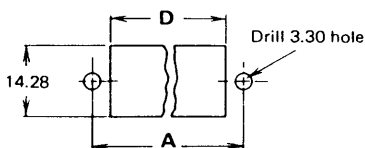
Socket



No. of Contacts	A crs. nom.	B max.	C max.	D nom.	E max.		F Max.	
					Side Entry	Top Entry	Side Entry	Top Entry
7	28.60	35.50	20.75	21.59	30.50	33.60	30.00	28.00
11	36.07	43.00	28.25	29.21	30.50	33.60	37.50	35.50
15	43.54	51.00	35.70	36.83	30.50	33.60	45.50	43.00
19	51.00	58.50	43.15	44.45	30.50	33.60	53.00	50.50
23	58.47	66.00	50.65	52.07	30.50	33.60	60.50	58.00
31	73.41	81.50	65.55	67.31	30.50	33.60	76.00	73.00

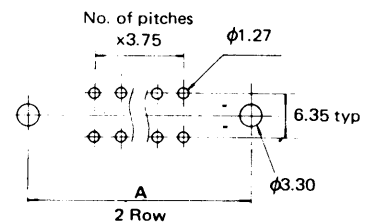


MOUNTING DETAILS

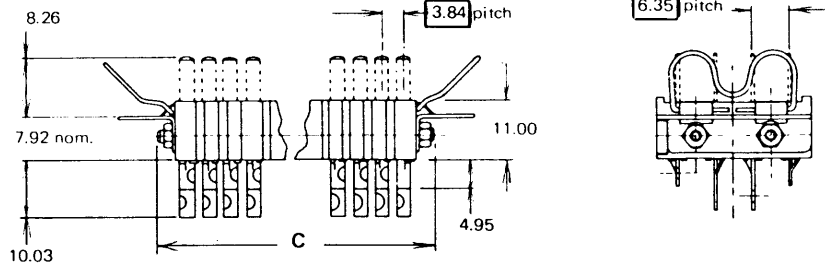
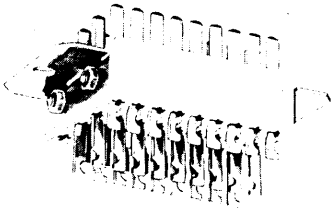


When connector is mounted at rear of panel (max. thickness 1.60mm.) fixing screws must be countersunk to avoid fouling latch springs.

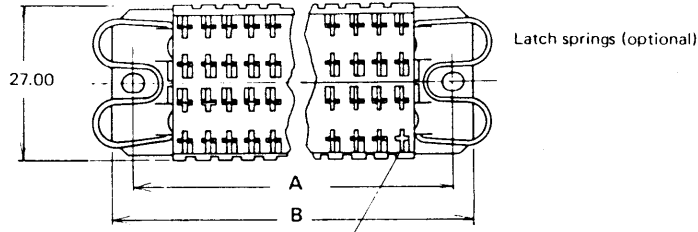
MOUNTING DETAILS



Plug

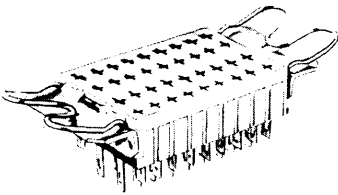


Viewed on mating face

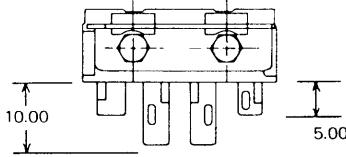


Standard Polarising Key position for Plug

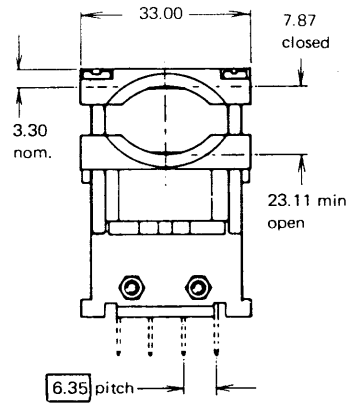
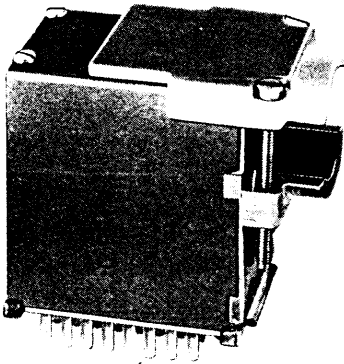
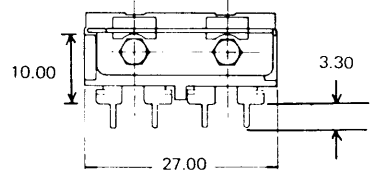
Socket



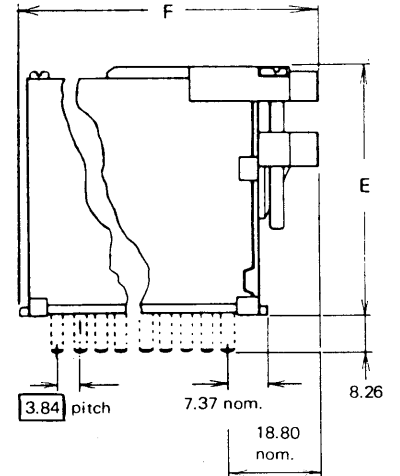
4 Row Solder Tail Socket



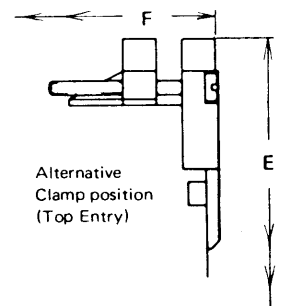
4 Row P.C. Tail Socket



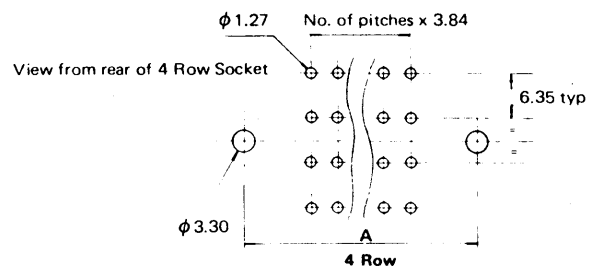
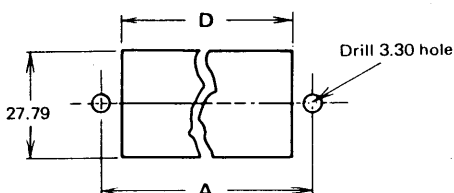
Side Entry



No. of Contacts	A crs. nom.	B max.	C max.	D nom.	E max.		F max.	
					Side Entry	Top Entry	Side Entry	Top Entry
35	48.18	55.00	40.35	40.64	50.00	60.50	57.50	47.00
47	59.69	66.50	51.85	52.07	50.00	60.50	69.00	58.50
55	67.36	74.00	59.50	59.69	50.00	60.50	76.70	66.20
59	71.20	78.00	63.35	63.50	50.00	60.50	80.50	70.00
71	82.70	89.50	74.85	74.93	50.00	60.50	92.00	81.50



MOUNTING DETAILS



When connector is mounted at rear of panel (max. thickness 1.60mm.) fixing screws must be countersunk to avoid fouling latch springs.

ORDER CODES

No. of rows	No. of contacts	Plug P or Socket S	Solder Tail with mounting brackets	P.C. Tail with mounting brackets	Solder tail with cover
2	7	P	700/3450/07		700/3452/07
2	7	S	700/3451/07	700/3451/07-T	700/3453/07
2	11	P	700/3450/11		700/3452/11
2	11	S	700/3451/11	700/3451/11-T	700/3453/11
2	15	P	700/3450/15		700/3452/15
2	15	S	700/3451/15	700/3451/15-T	700/3453/15
2	19	P	700/3450/19		700/3452/19
2	19	S	700/3451/19	700/3451/19-T	700/3453/19
2	23	P	700/3450/23		700/3452/23
2	23	S	700/3451/23	700/3451/23-T	700/3453/23
2	31	P	700/3450/31		700/3452/31
2	31	S	700/3451/31	700/3451/31-T	700/3453/31
4	35	P	700/3454/35		700/3456/35
4	35	S	700/3455/35	700/3455/35-T	700/3457/35
4	47	P	700/3454/47		700/3456/47
4	47	S	700/3455/47	700/3455/47-T	700/3457/47
4	55	P	700/3454/55		700/3456/55
4	55	S	700/3455/55	700/3455/55-T	700/3457/55
4	59	P	700/3454/59		700/3456/59
4	59	S	700/3455/59	700/3455/59-T	700/3457/59
4	71	P	700/3454/71		700/3456/71
4	71	S	700/3455/71	700/3455/71-T	700/3457/71

FOR ABOVE CONNECTORS FITTED WITH LATCH SPRINGS ADD 'S'
TO THE PART NUMBER e.g. 700/3451/23S OR 700/3455/35S-T

McMurdo
CONNECTORS

Member of the Louis Newmark Group of Companies

THE McMURDO INSTRUMENT CO. LTD.
Rodney Road, Portsmouth, Hampshire PO4 8SG.
Telephone: Portsmouth (0705) 735361 Telex 86112

X-ON Electronics

Largest Supplier of Electrical and Electronic Components

Click to view similar products for [itw switches manufacturer](#):

Other Similar products are found below :

[MP648-16\(50\)](#) [76-959034](#) [SDBS25PN](#) [76-1024](#) [48M-111B](#) [181541B](#) [MDJ15](#) [DA15POLF](#) [48M-111G](#) [22-204](#) [DC37PF](#) [DB25SNF](#) [DB25SF](#)
[76-9510/4044](#) [49-59115](#) [40-2-5](#) [76-9513/4044G](#) [76-9113/439088](#) [76-9410/439088B](#) [SDAX15SNT](#) [H48M-112B/4044](#) [SDD50PTD](#) [59-](#)
[900091](#) [48M210N](#) [ES1020](#) [SDB25PNTD](#) [DE9SNF](#) [DAC15P](#) [57-112R](#) [76-9116/439088](#) [76-9112/439088](#) [76-5910](#) [HDAX26SNT](#) [48-1-RB-](#)
[G-BK-B](#) [49-59116](#) [48M112R](#) [H48M-112G/4044](#) [57M110N](#) [40-4-10](#) [H48M-212B/4044](#) [H48M-212R/4044](#) [DE9PF](#) [19N403L18](#) [57M-211B](#)
[4959213](#) [48M110N](#) [4959113](#) [76-9440/439088B](#) [1640401](#) [76-9711/439088R](#)