

FIG. 1

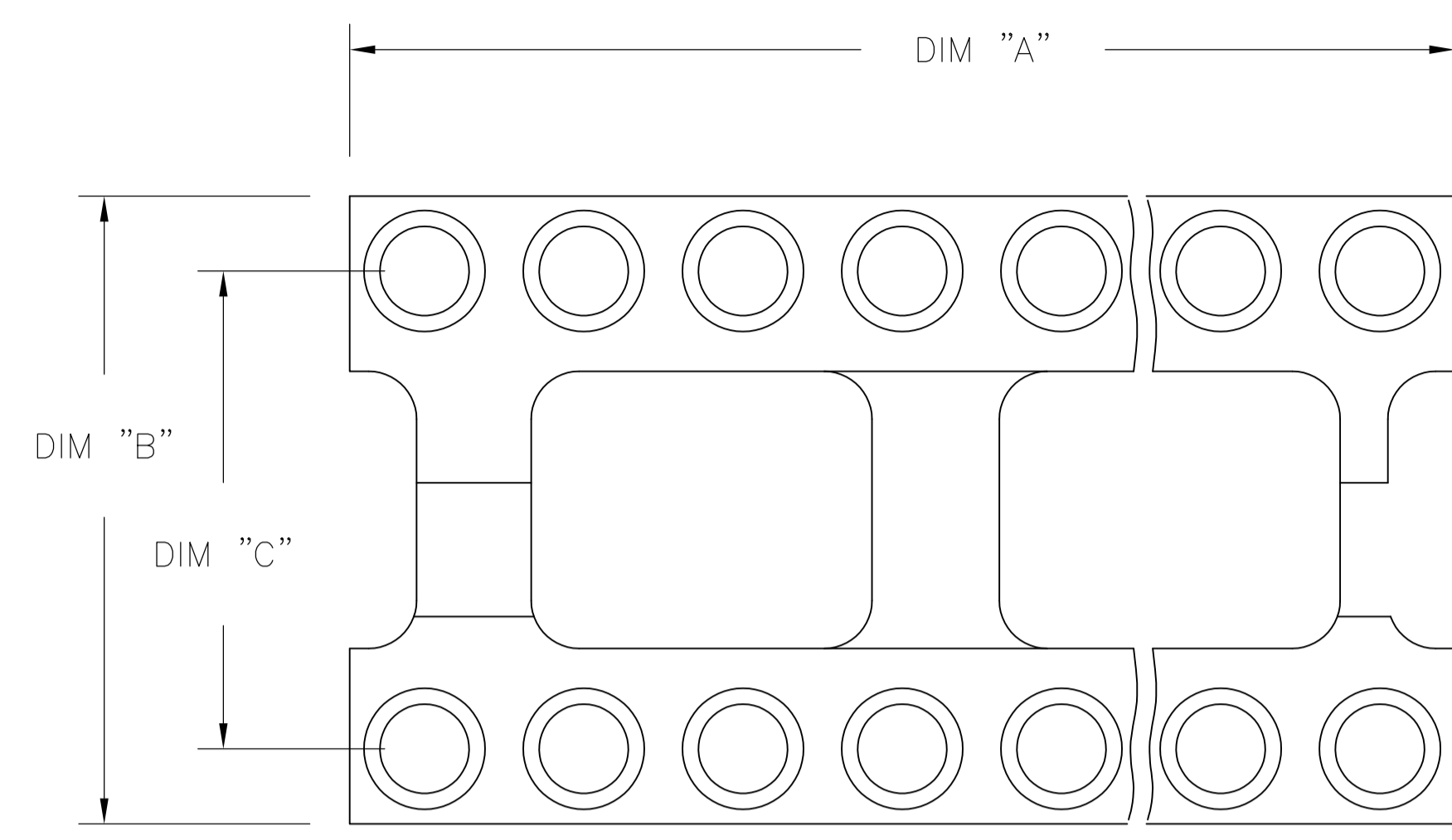


FIG. 2

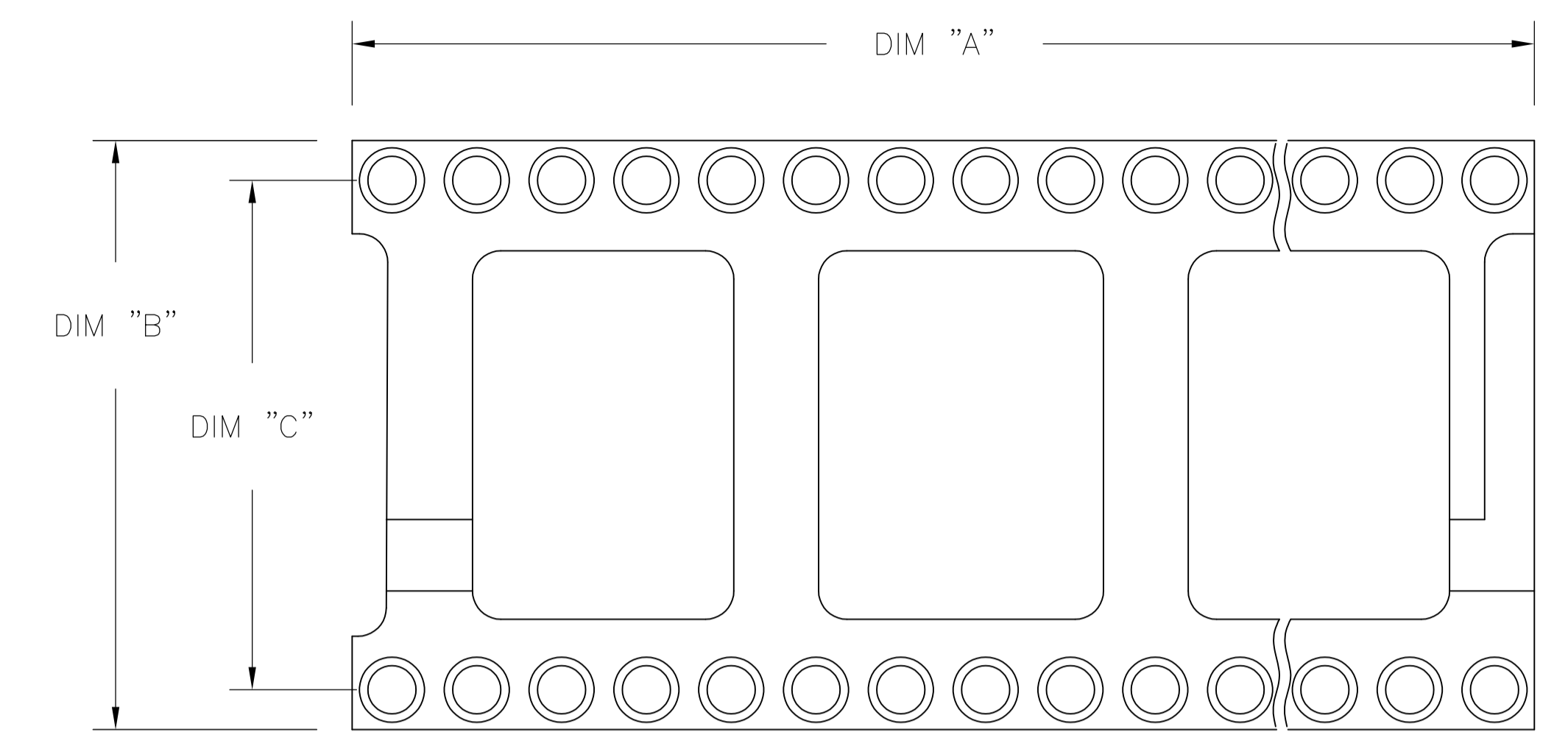
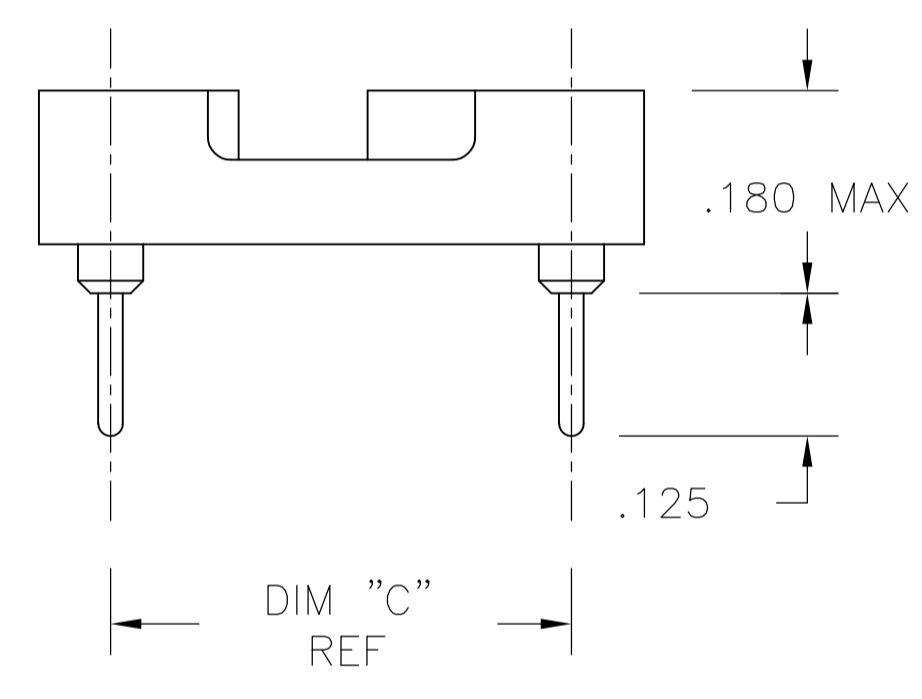
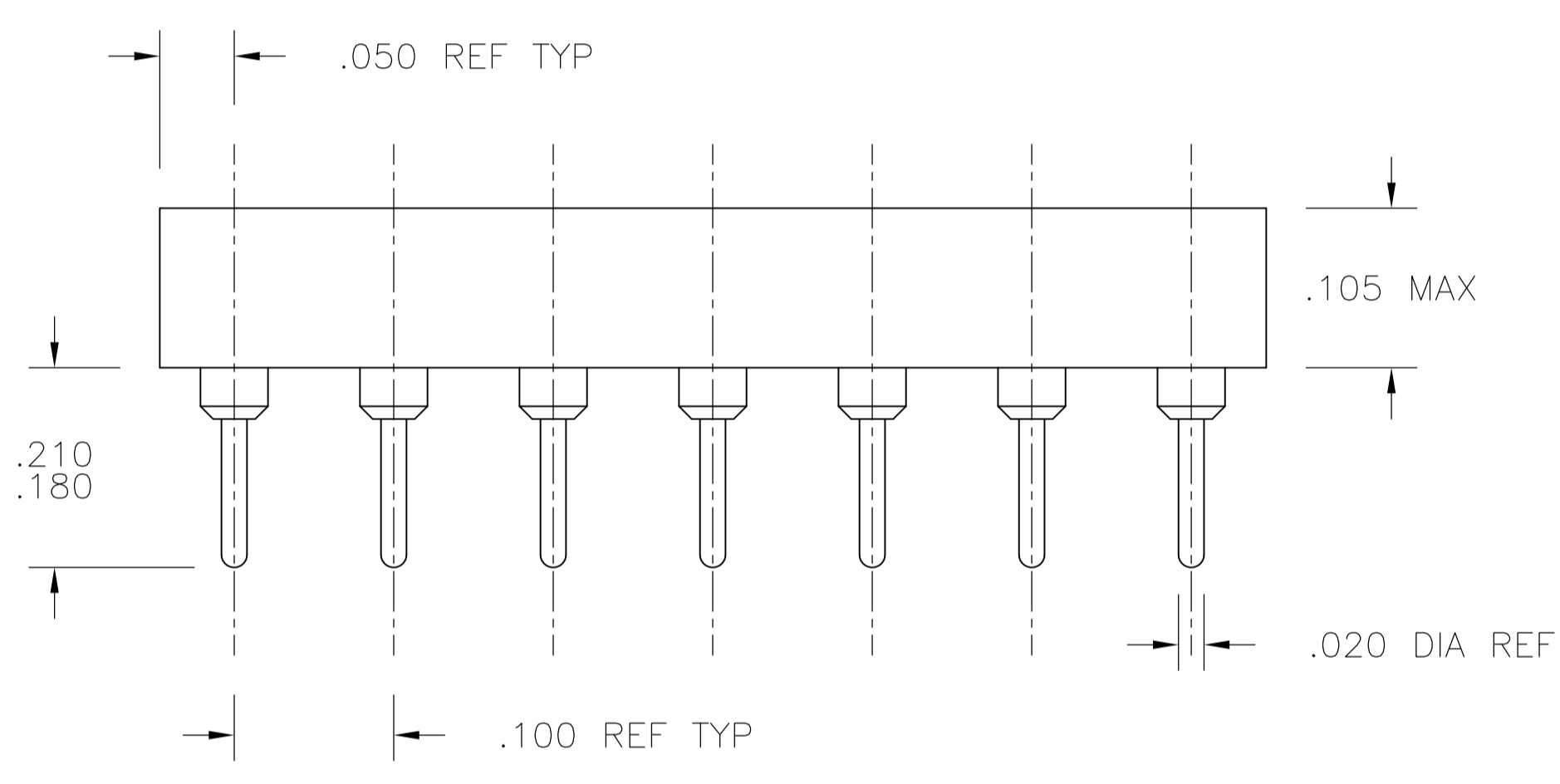
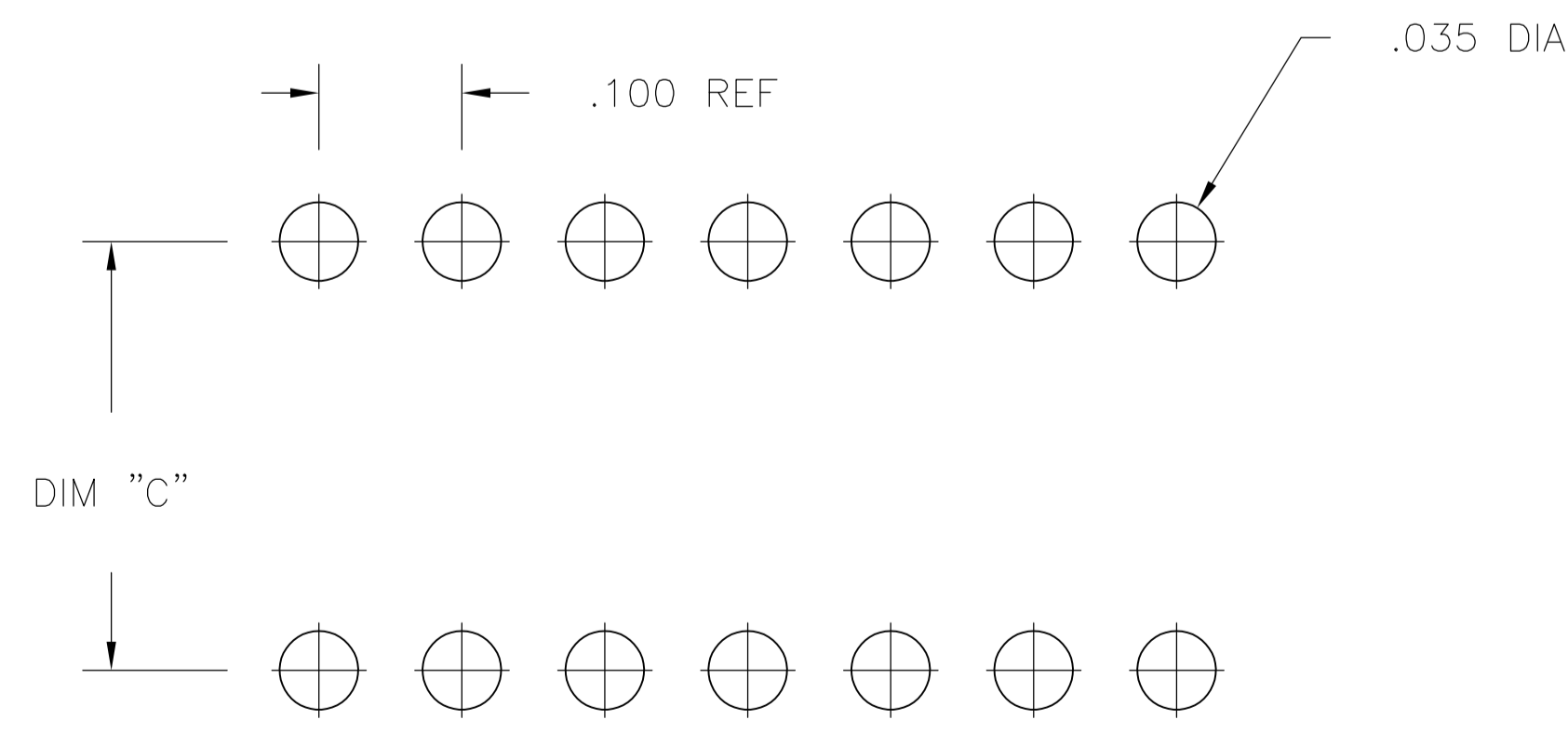


FIG. 3



1. INSULATOR MATERIAL - THERMOPLASTIC POLYESTER, PCT, BLACK, UL94 V-0
2. MACHINED CONTACT - BECU, PLATED WITH 80-200μ" TIN (LEAD FREE) OVER 75-100μ" COPPER.
3. SLEEVE - COPPER, PLATED WITH 180-340μ" THK TIN (LEAD FREE) OVER 75-125 MIN NICKEL.
4. MACHINED CONTACT - BECU, PLATED WITH 25μ" MIN. GOLD OVER 30-100μ" NICKEL.
5. ELECTRICAL:  
 CONTACT RESISTANCE: 10 MILLIOHMS MAX  
 CONTACT RATING: 3 AMPS  
 CAPACITANCE: 1.0 pF PER MIL-STD-202, METHOD 305  
 INSULATION RESISTANCE: 5000 OHMS MIN @ 500 VDC PER MIL-STD-1344, METHOD 3003.1  
 DIELECTRIC WITHSTANDING VOLTAGE: 1000 VOLTS (RMS) PER MIL-STD-1344, METHOD 3001.1
6. MECHANICAL:  
 INSERTION FORCE: 134 GRAMS AVG  
 WITHDRAWAL FORCE: 63 GRAMS AVG  
 "ACCEPTS IC PIN - .009"X.015" THROUGH .011"X.020", OR .016" TO .021" DIAMETER, .150/.105 LONG"
7. ENVIRONMENTAL:  
 OPERATING TEMPERATURE: -55°C TO -105°C
8. OBSOLETE PARTS: OBSOLETE CIS STREAMLINING PER D.RENAUD/D.SINISI



P.C.B. HOLE LAYOUT  
 TOLERANCE ±.003

THIS DRAWING IS A CONTROLLED DOCUMENT.		DIN T.KRAYBILL 07NOV03	TE Connectivity	
DIMENSIONS: INCHES		CHK K.WRIGHT		
TOLERANCES UNLESS OTHERWISE SPECIFIED:		APVD K.WRIGHT	NAME: OPEN FRAME DIP, PREMIUM (MACHINE CONTACT), LEAD FREE (REF AUGAT 800 SERIES)	
0. PLC	± .005	PRODUCT SPEC	SIZE	CAGE CODE
1. PLC	± .005	APPLICATION SPEC	A1	00779
2. PLC	± .005	WEIGHT	1571586	RESTRICTED TO
3. PLC	± .005	CUSTOMER DRAWING	SCALE 4:1	SHEET 1 OF 2
4. PLC	± .005			REV B2
ANGLES	± .005			

$\triangle\triangle\triangle$	OBSOLETE	GOLD	TIN	.400±.005	.500	1.200	2	24	<del>3-1571586-7</del>
$\triangle\triangle\triangle$		GOLD	TIN	.300±.005	.400	1.200	2	24	<del>3-1571586-6</del>
$\triangle\triangle\triangle$		GOLD	TIN	.900±.005	1.000	3.200	3	64	<del>3-1571586-5</del>
$\triangle\triangle\triangle$		GOLD	TIN	.600±.005	.700	2.400	3	48	<del>3-1571586-4</del>
$\triangle\triangle\triangle$		GOLD	TIN	.600±.005	.700	2.100	3	42	<del>3-1571586-3</del>
$\triangle\triangle\triangle$		GOLD	TIN	.600±.005	.700	2.000	3	40	<del>3-1571586-2</del>
$\triangle\triangle\triangle$		GOLD	TIN	.600±.005	.700	1.800	3	36	<del>3-1571586-1</del>
$\triangle\triangle\triangle$		GOLD	TIN	.600±.005	.700	1.600	3	32	<del>3-1571586-0</del>
$\triangle\triangle\triangle$		GOLD	TIN	.600±.005	.700	1.400	2	28	<del>2-1571586-9</del>
$\triangle\triangle\triangle$		GOLD	TIN	.600±.005	.700	1.200	2	24	<del>2-1571586-8</del>
$\triangle\triangle\triangle$		GOLD	TIN	.400±.005	.500	1.100	2	22	<del>2-1571586-7</del>
$\triangle\triangle\triangle$		GOLD	TIN	.300±.005	.400	1.000	2	20	<del>2-1571586-6</del>
$\triangle\triangle\triangle$		GOLD	TIN	.300±.005	.400	.900	2	18	<del>2-1571586-5</del>
$\triangle\triangle\triangle$		GOLD	TIN	.300±.005	.400	.800	2	16	<del>2-1571586-4</del>
$\triangle\triangle\triangle$		GOLD	TIN	.300±.005	.400	.700	2	14	<del>2-1571586-3</del>
$\triangle\triangle\triangle$		GOLD	TIN	.300±.005	.400	.400	1	8	<del>2-1571586-2</del>
$\triangle\triangle\triangle$		TIN	TIN	.400±.005	.500	1.200	2	24	<del>1-1571586-7</del>
$\triangle\triangle\triangle$		TIN	TIN	.300±.005	.400	1.200	2	24	<del>1-1571586-6</del>
$\triangle\triangle\triangle$	OBSOLETE	TIN	TIN	.900±.005	1.000	3.200	3	64	<del>1-1571586-5</del>
$\triangle\triangle\triangle$	OBSOLETE	TIN	TIN	.600±.005	.700	2.400	3	48	<del>1-1571586-4</del>
$\triangle\triangle\triangle$	OBSOLETE	TIN	TIN	.600±.005	.700	2.100	3	42	<del>1-1571586-3</del>
$\triangle\triangle\triangle$	OBSOLETE	TIN	TIN	.600±.005	.700	2.000	3	40	<del>1-1571586-2</del>
$\triangle\triangle\triangle$	OBSOLETE	TIN	TIN	.600±.005	.700	1.800	3	36	<del>1-1571586-1</del>
$\triangle\triangle\triangle$		TIN	TIN	.600±.005	.700	1.600	3	32	<del>1-1571586-0</del>
$\triangle\triangle\triangle$	OBSOLETE	TIN	TIN	.600±.005	.700	1.400	2	28	<del>1571586-9</del>
$\triangle\triangle\triangle$	OBSOLETE	TIN	TIN	.600±.005	.700	1.200	2	24	<del>1571586-8</del>
$\triangle\triangle\triangle$	OBSOLETE	TIN	TIN	.400±.005	.500	1.100	2	22	<del>1571586-7</del>
$\triangle\triangle\triangle$		TIN	TIN	.300±.005	.400	1.000	2	20	<del>1571586-6</del>
$\triangle\triangle\triangle$	OBSOLETE	TIN	TIN	.300±.005	.400	.900	2	18	<del>1571586-5</del>
$\triangle\triangle\triangle$	OBSOLETE	TIN	TIN	.300±.005	.400	.800	2	16	<del>1571586-4</del>
$\triangle\triangle\triangle$	OBSOLETE	TIN	TIN	.300±.005	.400	.700	2	14	<del>1571586-3</del>
$\triangle\triangle\triangle$		TIN	TIN	.300±.005	.400	.400	1	8	<del>1571586-2</del>

FINISH	"C" MAX	"B" MAX	"A" MAX	FIG	NO. OF POSN	PART NO.
CONTACT/SLEEVE						

THIS DRAWING IS A CONTROLLED DOCUMENT.		DIN T. KRAYBILL 07NOV03	TE Connectivity	
DIMENSIONS: INCHES	TOLERANCES UNLESS OTHERWISE SPECIFIED:	CHK K. WRIGHT	NAME: OPEN FRAME DIP, PREMIUM (MACHINE CONTACT), LEAD FREE (REF AUGAT 800 SERIES)	
0. PLC ± -	1. PLC ± -	APVD K. WRIGHT	PRODUCT SPEC	
2. PLC ± -	3. PLC ± .005	APPLICATION SPEC	SIZE: A1	
4. PLC ± -	ANGLES ± -	WEIGHT	CAGE CODE: 00779	
MATERIAL	FINISH	DRAWING NO: 1571586	RESTRICTED TO: -	
		CUSTOMER DRAWING	SCALE: 1:1	SHEET 2 OF 2

## X-ON Electronics

Largest Supplier of Electrical and Electronic Components

*Click to view similar products for te connectivity manufacturer:*

Other Similar products are found below :

[4-1633138-8](#) [570416-000](#) [CLTEQ-M81CE-SSRELAY-4-20V](#) [D38999/24FJ4AN](#) [4-1195131-0](#) [650069-000](#) [SMD100-2](#) [CB-1022B-78](#)  
[RM707012](#) [RP410012](#) [MMS42](#) [1-640426-8](#) [2EDL4CM](#) [DTS20W19-11PD-3028-LC](#) [RM202615](#) [NC6-P104-06](#) [MSPS103B](#) [DTS26F21-](#)  
[41HE-LC](#) [DTS26F21-41AE](#) [DTS26F21-41PE-LC](#) [DTS26F21-11SE-3028-LC](#) [1932144-1](#) [293545-4](#) [LVR125S](#) [MS27466T25F4PB](#) [CKB-38-](#)  
[78010](#) [1206SFF150F/63-2](#) [D38999/20JB35HA](#) [D38999/24WJ20PA](#) [TE1500A2R2J](#) [DTS24F25-29PC-3028-LC](#) [D38999/24WG11HA](#)  
[D38999/24WG11HN](#) [MS27467T21F11H](#) [DJT16E21-11HA](#) [1206SFH150F/24-2](#) [DTS24F19-11SC-3028-LC](#) [DTS24F21-41HN-LC](#)  
[DTS24F21-41AN](#) [DTS24F21-41PN-LC](#) [RP330024](#) [MS27467T21F35J](#) [MS27467T21F11J](#) [MS27467T21F16H-LC](#) [MS27467T21F35H](#)  
[MS27467T21F41H-LC](#) [DJT16E21-11PA-LC](#) [DJT16E21-11HA-LC](#) [DJT16E21-11AA](#) [MS27467T21B11JA](#)