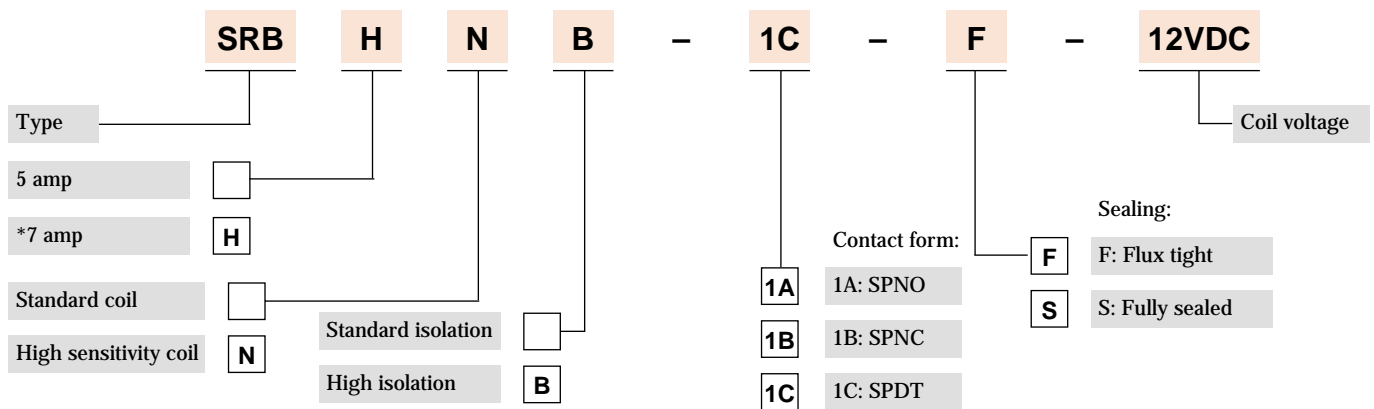


- 7A/250 VAC rating
- Flux tight or fully sealed versions available
- 250mW high sensitivity coil
- UL/CUR/TUV recognised



## Options and ordering codes



\*H type only available in 360mW coil

## Contact rating

Type	SRB	SRBH
Contact form	1A, 1B, 1C	1A, 1B, 1C
Maximum switching power	1200VA/150W	1680VA/210W
Maximum switching voltage	250VAC/30VDC	
Maximum switching/carry current	5A	7A

UL, CUR and TUV safety approval ratings available on request

## Specifications

Contact material	Ag Alloy	
Initial contact resistance	100mΩ Max	
Operate time	10ms Max (at rated voltage)	
Release time	5ms Max (at rated voltage)	
Nominal operating power	Standard approx. 360mW, High sensitivity approx. 250mW	
Insulation resistance	1000MΩ at 500VDC	
Breakdown voltage	Between coil and contacts	Standard 2000VAC (for 1 minute), High isolation 3000VAC (for 1 minute)
	Between open contacts	750VAC (for 1 minute)
Vibration resistance	Operating extremes	10~55Hz, amplitude 1.5mm
	Damage limits	10~55Hz, amplitude 1.5mm
Shock resistance	Operating extremes	10G
	Damage limits	50G
Ambient temperature	-40~+85°C	
Life expectancy	Mechanical	10 x 10 <sup>8</sup> operations (frequency 18,000 operations/hour)
	Electrical (at max load)	1 x 10 <sup>8</sup> operations (frequency 1,200 operations/hour)
Weight	8g	

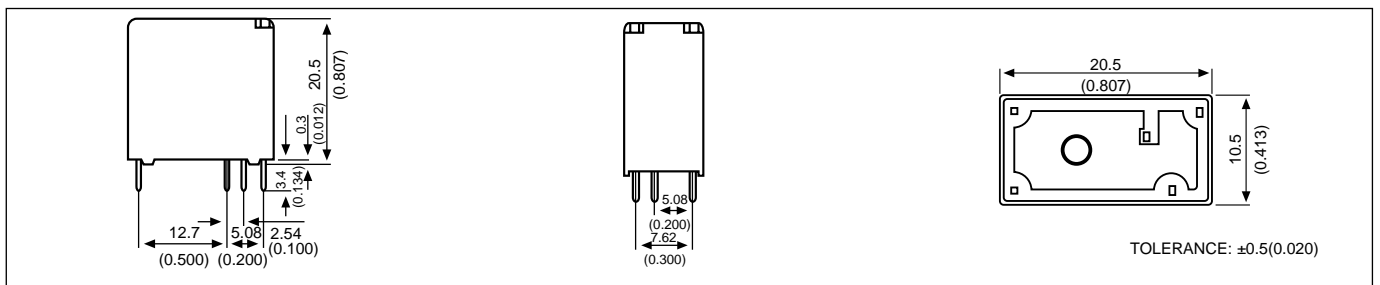
## Coil specification SRB standard coil

Rated voltage	Rated Current $\pm$ 10% at 25°C (mA)	Coil Resistance $\pm$ 10% at 25°C ( $\Omega$ )	Max continuous voltage at 25°C	Pick up voltage (Max) at 25°C	Drop out voltage (Min) at 25°C	Power consumption at rated load
3	120	25	130% of rated voltage	75% of rated voltage	5% of rated voltage	approx. 0.36W
5	72.5	69				
6	60	100				
9	40	225				
12	30	400				
18	20	900				
24	15	1600				
36	10	3600				
48	7.5	6400				

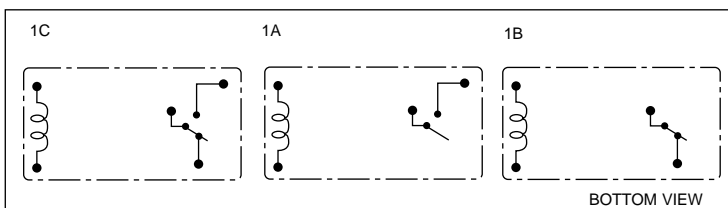
## Coil specification SRB high sensitivity coil

Rated voltage	Rated Current $\pm$ 10% at 25°C (mA)	Coil Resistance $\pm$ 10% at 25°C ( $\Omega$ )	Max continuous voltage at 25°C	Pick up voltage (Max) at 25°C	Drop out voltage (Min) at 25°C	Power consumption at rated load
3	83.3	36	130% of rated voltage	75% of rated voltage	5% of rated voltage	approx. 0.25W
5	50	100				
6	41.3	145				
9	27.7	325				
12	20.9	575				
18	13.8	1300				
24	10.4	2310				
36	6.9	5180				
48	5.2	9220				

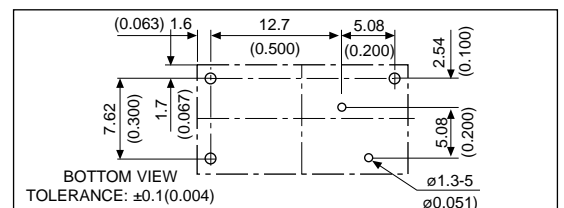
## Dimensions mm (inch)



## Wiring diagram



## PCB layout



## X-ON Electronics

Largest Supplier of Electrical and Electronic Components

*Click to view similar products for [imo manufacturer](#):*

Other Similar products are found below :

[20.155MV/12-E](#) [MC14N-S-10110AC](#) [MB09-S-10=24](#) [DPS-1-030-24](#) [SRF-1C-SL-12VDC](#) [MB09-S-1024](#) [LDC18RRS](#) [SFSYE0111](#)  
[21.1500M/6-E](#) [20.3304M/2-E](#) [21.910M/5-E](#) [20.95MA/2-E](#) [21.95MHF/2-E](#) [PE69-4032](#) [DPS-1-060-24](#) [CS20A-A2](#) [CS20A-U1](#) [VFC02](#)  
[MSSTC11DA06](#) [20.95MHF/3-E](#) [EP4BEIGE](#) [B3T10](#) [XKL-040-21](#) [20.3304M/4-E](#) [SRDH-1A-SL-24VDC](#) [MC10N-S-10110AC](#) [20.2500M/5-E](#)  
[21.155MH/12](#) [SRRHN-2CN-SL-12VDC](#) [20.1510M/4-E](#) [20.920M/5-E](#) [21.1550MF/8-E](#) [20.910M/6-E](#) [20.95MH/3-E](#) [21.95MV/3](#) [MA05-S-](#)  
[01230AC](#) [SRRHN-2CN-SL-5VDC](#) [LB69-4040](#) [20.3001M/6](#) [21.1500M/3-E](#) [SFSYE0311](#) [21.95MHF/6-E](#) [20.95MV/2-E](#) [20.155MV/4-E](#)  
[20.155MH/4-E](#) [20.950M/2-E](#) [MT5 1-50-FAR](#) [BS3P3REDO](#) [MB12-S-10=24](#) [MA05-S-1024DC](#)