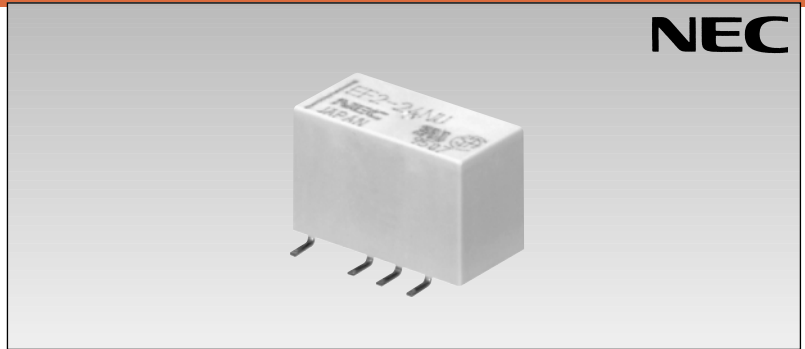


- Compact and Light Weight
- 2 Form C Contact Arrangement
- Low Power Consumption (50mW)
- Reduced Mounting Space: 15mm x 7.5mm
- High-breakdown Voltage of Coil to Contacts: 1500 Vac, 2500 V (2 x 10 μs\*)
- UL Recognised, CSA Certified
- Tube or Taped Packaging



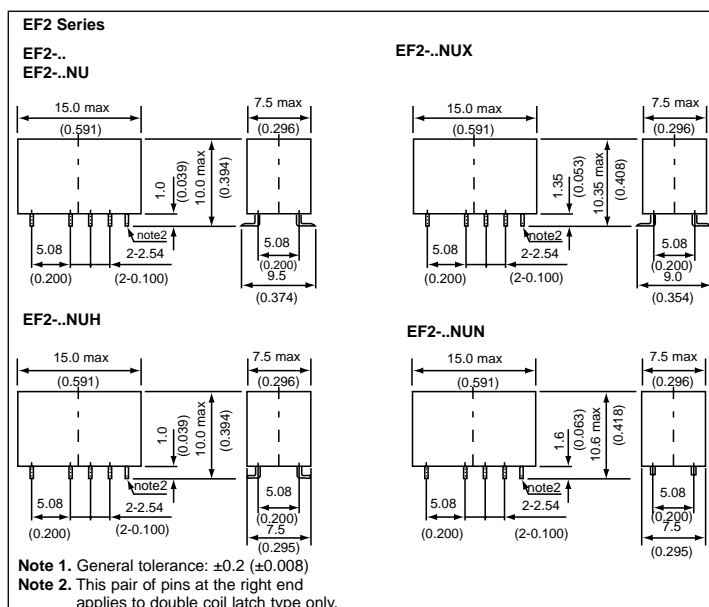
**NEC**

## Specifications

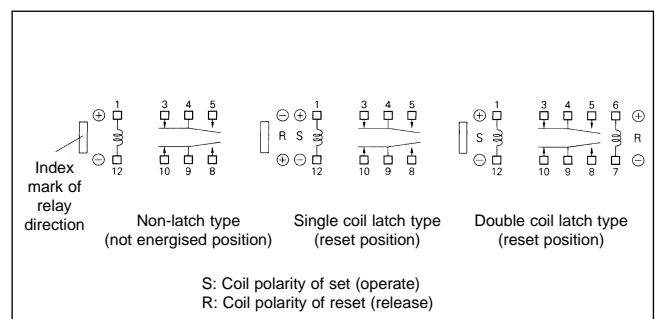
<b>Contact form</b>		2 Form C
<b>Contact material</b>		Silver alloy with gold alloy overlay
<b>Contact rating</b>	<b>Maximum switching power</b>	30W 62.5 VA (resistive)
	<b>Maximum switching voltage</b>	220VDC 250 VAC
	<b>Maximum switching current</b>	1A
	<b>Maximum carrying current</b>	1A
<b>Minimum contact ratings</b>		100 mVDC, 100 μA
<b>Initial contact resistance</b>		50 mΩ typ.
<b>Nominal operating power</b>	<b>Nonlatch type</b>	50 to 70 mW
	<b>Single coil latch type</b>	30 to 60 mW
	<b>Double coil latch type</b>	50 to 80 mW
<b>Operate time (excluding bounce)</b>		Approximately 3 ms without diode
<b>Release time (excluding bounce)</b>		Approximately 2 ms without diode
<b>Insulation resistance</b>		1000 MΩ at 500 V dc
<b>Breakdown voltage</b>	<b>Between open contacts</b>	1000 VAC for one minute (1500 V surge, 10 x 16μs*)
	<b>Between adjacent contacts</b>	1000 V surge for one minute (1500 V surge, 10 x 160μs*)
	<b>Between coil to contacts</b>	1500 VAC (for one minute) 2500V surge (2 x 10 μs*)
<b>Shock resistance</b>		735 m/s <sup>2</sup> (75G) (misoperating) 980 m/s <sup>2</sup> (100G) (destructive failure)
<b>Vibration resistance</b>		10-55Hz, double amplitude 3 mm (20G) (misoperating) 10-55Hz, double amplitude 5 mm (30G) (destructive failure)
<b>Ambient temperature</b>		-40°C to +70°C
<b>Coil temperature rise</b>		7 degrees at nominal coil voltage (50 mW)
<b>Running specifications</b>	<b>Nonload</b>	1 x 10 <sup>7</sup> operations 50 VDC, 0.1A (resistive) 1 x 10 <sup>6</sup> operations at 85°C 10 VDC, 10 mA (resistive) 1 x 10 <sup>6</sup> operations at 85°C
	<b>Load</b>	
<b>Weight</b>		Approximately 2.2 g

\*1 rise time: 10 μs, fall time: 160 μs \*2 rise time: 2 μs, fall time: 10 μs

## Dimensions mm (inch)



## Schematics



## Part Number System

EF2-5 S NUH

Feature

- Nil : Standard type
- NU : UL recognised CSA certified type
- NUX : High solder joint reliability (20 years)
- NUH : Minimum footprint (7.5 x 15)
- NUN : High solder joint reliability with minimum footprint

Latch type

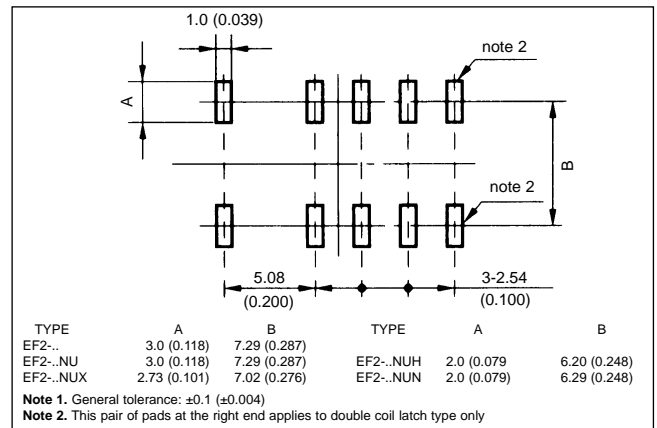
- Nil : Non latch type
- S : Single coil latch type
- T : Double coil latch type

Nominal coil voltage

- 1.5, 3, 4.5, 5, 6, 9, 12, 24 volts

EF2 series

## Pad layout (bottom view) mm(inch)



## Part numbers

### Nonlatch type

at 20°C

Part Number	Nominal Coil Voltage VDC	Coil Resistance Ω ±10%	Must Operate Voltage VDC	Must Release Voltage VDC	Nominal operate power (mW)
EF2-1.5NU	1.5	45	1.20	0.15	50
EF2-3NU	3	180	2.40	0.3	50
EF2-4.5NU	4.5	405	3.60	0.45	50
EF2-5NU	5	500	4.00	0.5	50
EF2-6NU	6	720	4.80	0.6	50
EF2-9NU	9	1473	7.20	0.9	55
EF2-12NU	12	2400	9.60	1.2	60
EF2-24NU	24	8229	19.20	2.4	70

### Single coil latch type

at 20°C

Part Number	Nominal Coil Voltage VDC	Coil Resistance Ω ±10%	Must Operate Voltage VDC	Must Release Voltage VDC	Nominal operate power (mW)
EF2-1.5SNU	1.5	75	1.20	0.13	30
EF2-3SNU	3	300	2.40	2.25	30
EF2-4.5SNU	4.5	675	3.60	3.38	30
EF2-5SNU	5	833	4.00	3.75	30
EF2-6SNU	6	1200	4.80	4.5	30
EF2-9SNU	9	2700	7.20	6.75	30
EF2-12SNU	12	4800	9.60	9	30
EF2-24SNU	24	9600	19.20	18	60

### Double coil latch type

at 20°C

Part Number	Nominal Coil Voltage VDC	Coil Resistance Ω ±10%	Must Operate Voltage VDC	Must Release Voltage VDC	Nominal operate power (mW)	
EF2-1.5TNU	1.5	S	45	1.20	-	50
		R	45	-	1.3	
EF2-3TNU	3	S	180	2.40	-	50
		R	180	-	2.25	
EF2-4.5TNU	4.5	S	405	3.60	-	50
		R	405	-	3.38	
EF2-5TNU	5	S	500	4.00	-	50
		R	500	-	3.75	
EF2-6TNU	6	S	720	4.80	-	50
		R	720	-	4.5	
EF2-9TNU	9	S	1620	7.20	-	50
		R	1620	-	6.75	
EF2-12TNU	12	S	2880	9.60	-	50
		R	2880	-	9	
EF2-24TNU	24	S	7200	19.20	-	80
		R	7200	-	18	

Note S: Set Coil (pin No. 1 and 12) R: Reset Coil (pin No. 6 and 7)

## X-ON Electronics

Largest Supplier of Electrical and Electronic Components

*Click to view similar products for [nec manufacturer](#):*

Other Similar products are found below :

[NL128102AC31-01](#) [621488F](#) [NL10276AC28-02](#) [NL10276AC30-04R](#) [EE2-4.5NUH](#) [NL8060AC26-11/VIS](#) [EF2-5SNU](#) [UPC1352C](#) [EE2-24TNU](#) [UPD43256BCZ-85-LL](#) [UA2-4.5SNU](#) [QF62V1](#) [UD2-9NU](#) [EE2-3TNUX](#) [UA2-4.5NU](#) [UD2-4.5NE](#) [NL6448AC30-09](#) [UPA1572H](#) [RB06H2C12](#) [65LHS-3L](#) [EE2-5SNU](#) [MN41C4256A-07](#) [EE2-4.5SNUX](#) [EF2-1.5SNU](#) [MR62-5SR](#) [EC2-4.5NU](#) [EF2-4.5NUX](#) [EC2-12TNU](#) [EE2-5TNU](#) [EA2-3SNU](#) [NL6448AC20-06](#) [ED2-24NU](#) [EC2-24SNJ](#) [UPD70F3102GJ-A33-8EU](#) [UD2-5NU](#) [EB2-24TNU](#) [EE2-4.5NU](#) [EE2-3TNU](#) [UA2-1.5NU](#) [UB2-5SNU](#) [UB2-1.5NU](#) [UD2-4.5SNUN](#) [EE2-12NUH](#) [UA2-9NU](#) [UPD4218165G5-60-7JF](#) [EB2-24NU-L](#) [EP2-B3G1S-1-D](#) [EE2-4.5NUX](#) [UB2-4.5SNUN](#) [UB2-4.5SNU](#)