

PC BOARD CONNECTORS

740 SERIES

■ FEATURES

- Various types of headers are available: one side shrouded, both sides shrouded, with simplified latch, and box type.
- The connector having a simplified latch prevents the connector from working loose because of vibration.
- The mini header has a clip to prevent incorrect insertion.
- A 740 series connector with a power terminal (2 in 1) for SCSI/IDE interface unit connections is also available.

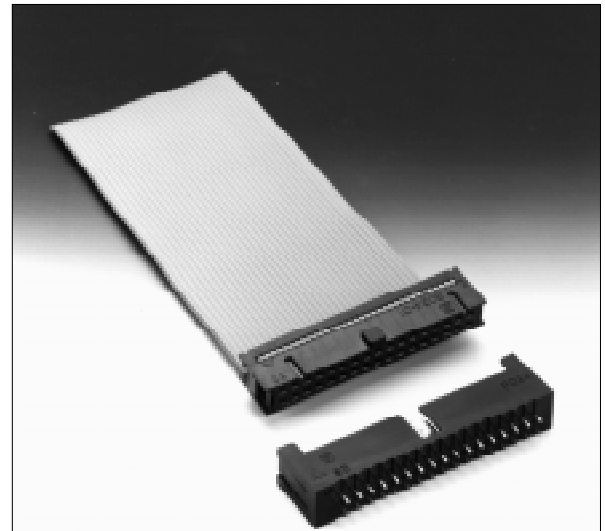
■ SPECIFICATIONS

1. Standard type

| Item | Specification |
|--------------------------------|--|
| Operating temperature range | -55°C to +105°C |
| Current rating | DC 1 A |
| Voltage rating | AC 250 V |
| Contact resistance | 15 mΩ max. (DC 6 V, 0.1 A) |
| Insulation resistance | 1000 MΩ min. (DC 500 V) |
| Dielectric strength | AC 500 V for 1 minute |
| Insertion force | 3.5 kg max. (10 pins), 10.5 kg max. (30 pins) |
| Withdrawal force | 0.25 kg min. (10 pins), 1.0 kg min. (30 pins) |
| Applicable wire | Flat cable: 1.27 mm (0.050 in.) pitch AWG #28 (stranded) or AWG #30 (solid) |
| Applicable PC board (standard) | 1.6 mm |

2. Power connector integrated type

| Item | Specification |
|--------------------------------|--|
| Operating temperature range | -55°C to +105°C |
| Current rating | DC 1 A (signal pin) DC 5 A (power pin) |
| Voltage rating | AC 250 V |
| Contact resistance | 15 mΩ max. (signal pin, DC 6 V, 0.1 A) 10 mΩ max. (power pin, DC 6 V, 0.3 A) |
| Insulation resistance | 1000 MΩ min. (DC 500 V) |
| Dielectric strength | AC 500 V for 1 minute (signal pin) AC 1000 V for 1 minute (power pin) |
| Insertion force | 50-contact signal pin: 17.5 kg max. 40-contact signal pin: 14.0 kg max. Power pin (reference value): 8.8 kg max. |
| Withdrawal force | 50-contact signal pin: 2.0 kg max. 40-contact signal pin: 1.5 kg max. Power pin (reference value): 0.8 kg max. |
| Applicable PC board (standard) | 1.6 mm (0.062 in.) (through hole type) |



■ MATERIALS

1. Standard type

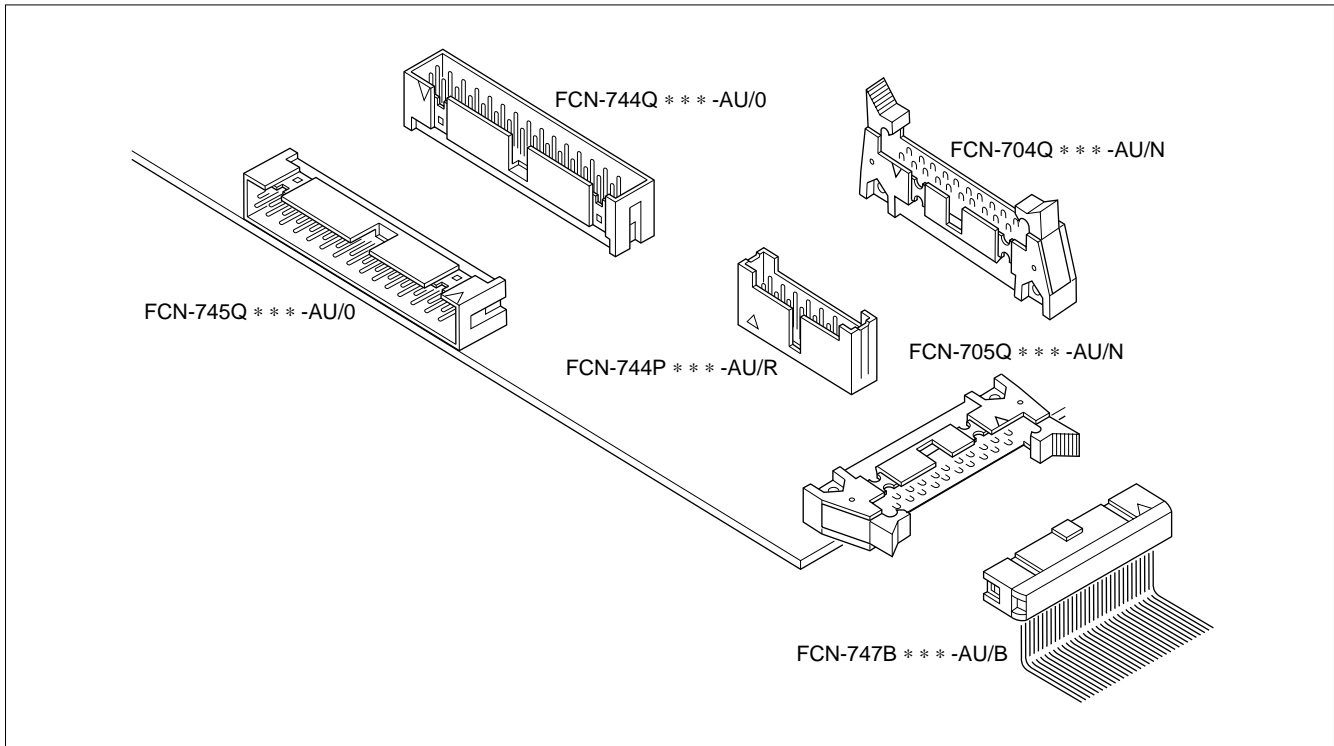
| Item | Materials | |
|---------------------|---------------------|-----------|
| Insulating material | Polyester (UL94V-0) | |
| Conductor | Copper alloy | |
| Plating | Contact | Gold |
| | Terminal | Palladium |

2. Power connector integrated type

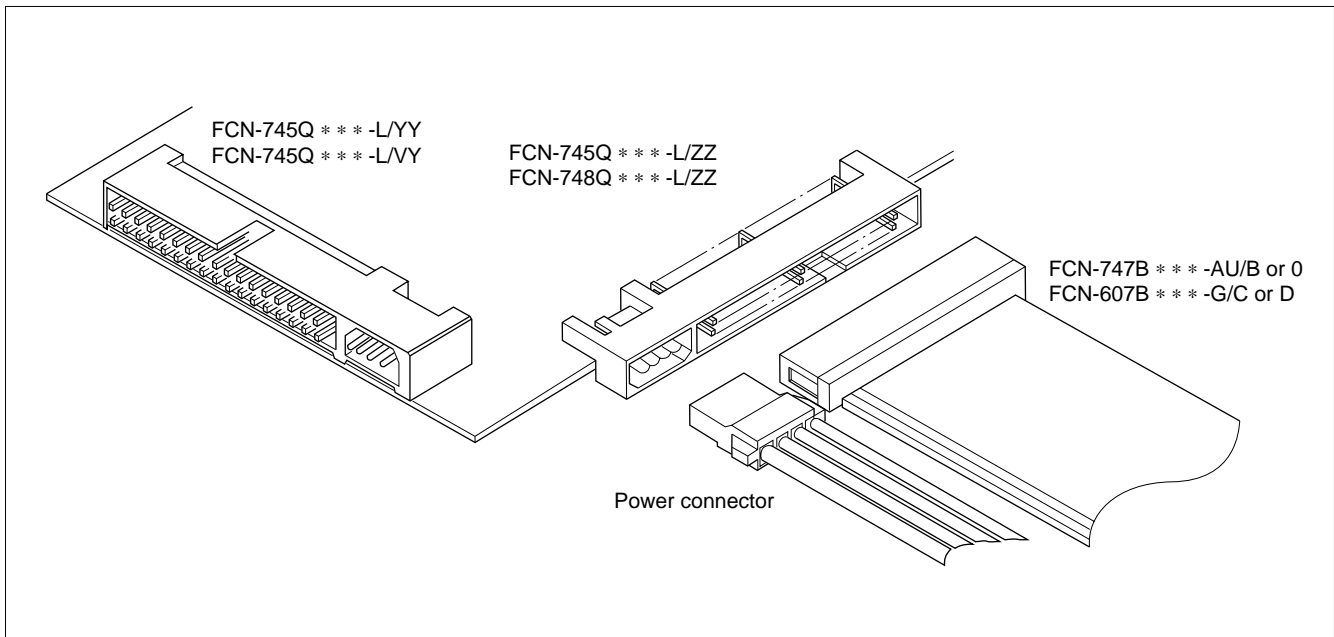
| Item | Materials | |
|---------------------|--|-----------|
| Insulating material | Through hole type: Polyester (UL94V-0) SMT type: PPS (UL94V-0) | |
| Conductor | Copper alloy | |
| Plating | Signal pin contact | Gold |
| | Signal pin tail | Palladium |
| | Power pin | Solder |

■ APPLICATION EXAMPLE

1. Standard type

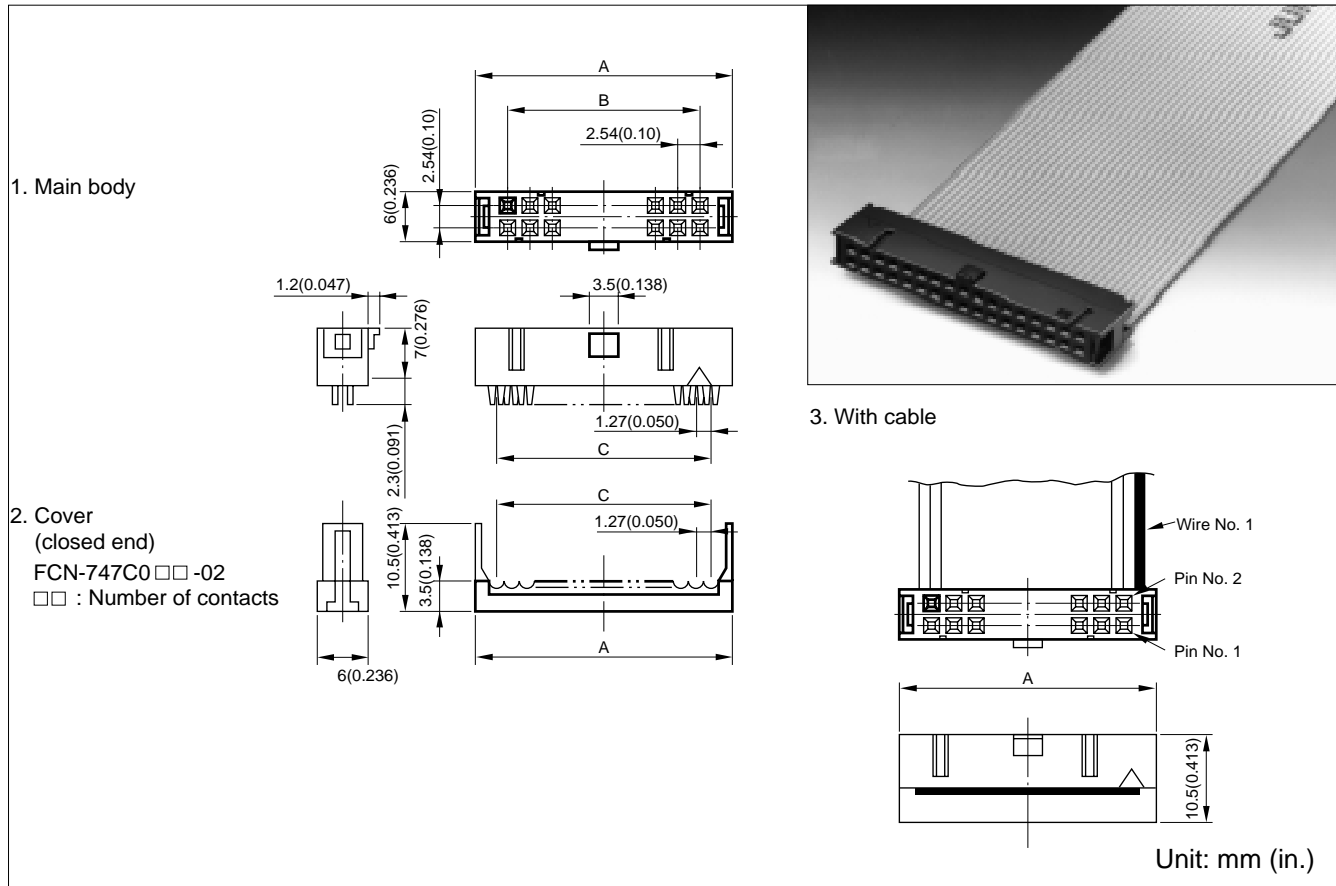


2. Power connector integrated type



IDC SOCKET (BUMP TYPE, CLOSED END COVER)

■ DIMENSIONS

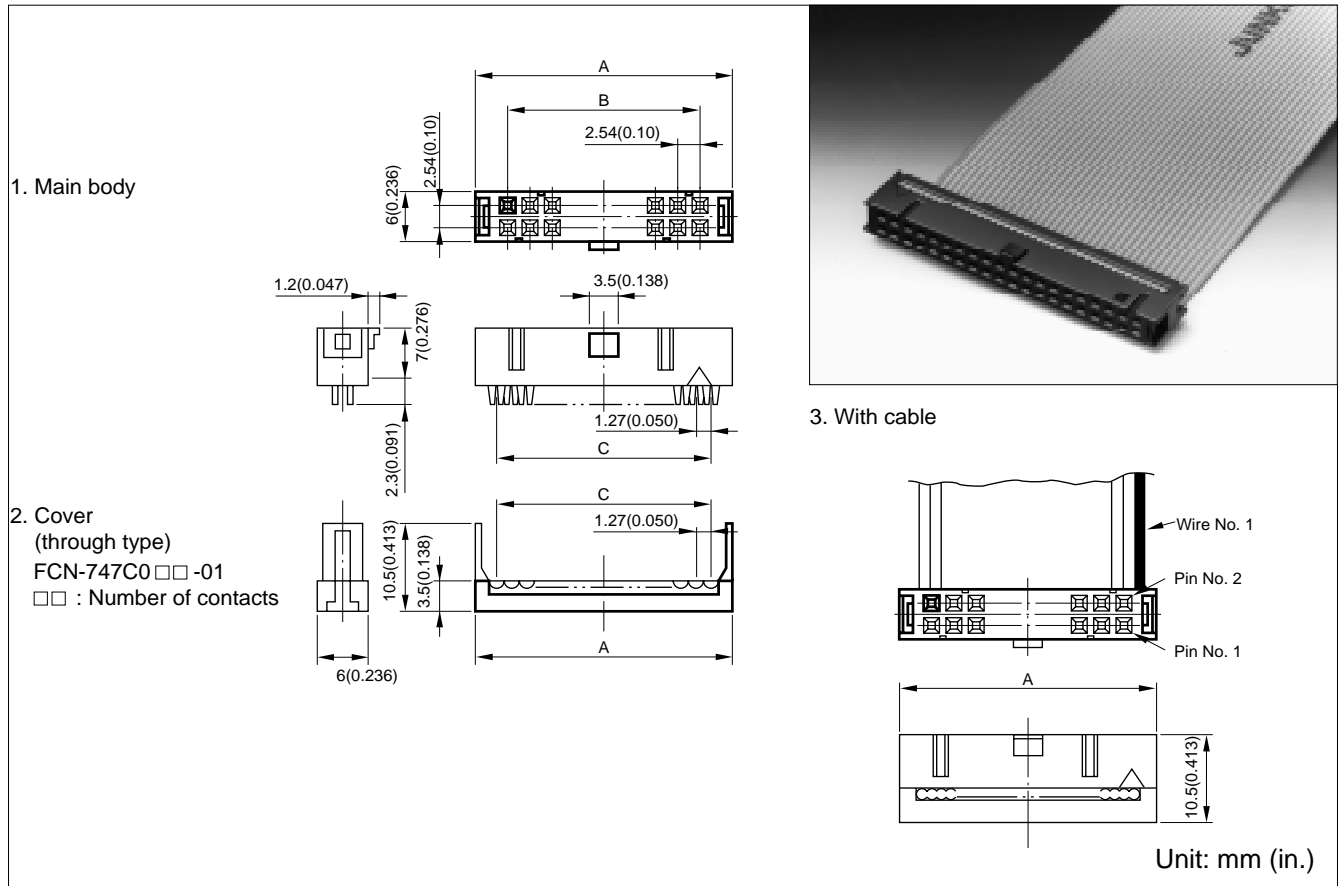


■ PART NUMBERS AND DIMENSIONS

| Number of contacts | Part number | Dimensions: mm (in.) | | | Min. purchase lot quality |
|--------------------|------------------|----------------------|---------------|---------------|---------------------------|
| | | A | B | C | |
| 10 | FCN-747B010-AU/B | 17.27 (0.680) | 10.16 (0.400) | 11.43 (0.450) | 30 |
| 14 | FCN-747B014-AU/B | 22.35 (0.880) | 15.24 (0.600) | 16.51 (0.650) | 23 |
| 16 | FCN-747B016-AU/B | 24.89 (0.980) | 17.78 (0.700) | 19.05 (0.750) | 21 |
| 20 | FCN-747B020-AU/B | 29.97 (1.180) | 22.86 (0.900) | 24.13 (0.950) | 17 |
| 24 | FCN-747B024-AU/B | 35.05 (1.380) | 27.94 (1.100) | 29.21 (1.150) | 15 |
| 26 | FCN-747B026-AU/B | 37.59 (1.480) | 30.48 (1.200) | 31.75 (1.250) | 14 |
| 30 | FCN-747B030-AU/B | 42.67 (1.680) | 35.56 (1.400) | 36.83 (1.450) | 12 |
| 34 | FCN-747B034-AU/B | 47.75 (1.880) | 40.64 (1.600) | 41.91 (1.650) | 11 |
| 40 | FCN-747B040-AU/B | 55.37 (2.180) | 48.26 (1.800) | 49.54 (1.950) | 9 |
| 50 | FCN-747B050-AU/B | 68.07 (2.680) | 60.96 (2.400) | 62.23 (2.450) | 7 |
| 60 | FCN-747B060-AU/B | 80.77 (3.180) | 73.66 (2.900) | 74.93 (2.950) | 6 |

IDC SOCKET (BUMP TYPE, THROUGH END COVER)

■ DIMENSIONS



■ PART NUMBERS AND DIMENSIONS

| Number of contacts | Part number | Dimensions: mm (in.) | | | Min. purchase lot quality |
|--------------------|------------------|----------------------|---------------|---------------|---------------------------|
| | | A | B | C | |
| 10 | FCN-747B010-AU/0 | 17.27 (0.680) | 10.16 (0.400) | 11.43 (0.450) | 30 |
| 14 | FCN-747B014-AU/0 | 22.35 (0.880) | 15.24 (0.600) | 16.51 (0.650) | 23 |
| 16 | FCN-747B016-AU/0 | 24.89 (0.980) | 17.78 (0.700) | 19.05 (0.750) | 21 |
| 20 | FCN-747B020-AU/0 | 29.97 (1.180) | 22.86 (0.900) | 24.13 (0.950) | 17 |
| 24 | FCN-747B024-AU/0 | 35.05 (1.380) | 27.94 (1.100) | 29.21 (1.150) | 15 |
| 26 | FCN-747B026-AU/0 | 37.59 (1.480) | 30.48 (1.200) | 31.75 (1.250) | 14 |
| 30 | FCN-747B030-AU/0 | 42.67 (1.680) | 35.56 (1.400) | 36.83 (1.450) | 12 |
| 34 | FCN-747B034-AU/0 | 47.75 (1.880) | 40.64 (1.600) | 41.91 (1.650) | 11 |
| 40 | FCN-747B040-AU/0 | 55.37 (2.180) | 48.26 (1.800) | 49.54 (1.950) | 9 |
| 50 | FCN-747B050-AU/0 | 68.07 (2.680) | 60.96 (2.400) | 62.23 (2.450) | 7 |
| 60 | FCN-747B060-AU/0 | 80.77 (3.180) | 73.66 (2.900) | 74.93 (2.950) | 6 |

Fujitsu Components International Headquarter Offices

Japan

Fujitsu Component Limited
Gotanda-Chuo Building
3-5, Higashigotanda 2-chome, Shinagawa-ku
Tokyo 141, Japan
Tel: (81-3) 5449-7010
Fax: (81-3) 5449-2626
Email: promothq@ft.ed.fujitsu.com
Web: www.fcl.fujitsu.com

North and South America

Fujitsu Components America, Inc.
250 E. Caribbean Drive
Sunnyvale, CA 94089 U.S.A.
Tel: (1-408) 745-4900
Fax: (1-408) 745-4970
Email: marcom@fcai.fujitsu.com
Web: www.fcai.fujitsu.com

Europe

Fujitsu Components Europe B.V.
Diamantlaan 25
2132 WV Hoofddorp
Netherlands
Tel: (31-23) 5560910
Fax: (31-23) 5560950
Email: info@fceu.fujitsu.com
Web: www.fceu.fujitsu.com

Asia Pacific

Fujitsu Components Asia Ltd.
102E Pasir Panjang Road
#04-01 Citilink Warehouse Complex
Singapore 118529
Tel: (65) 6375-8560
Fax: (65) 6273-3021
Email: fcal@fcal.fujitsu.com
www.fcal.fujitsu.com

© 2002 Fujitsu Components America, Inc. All company and product names are trademarks or registered trademarks of their respective owners. Rev. 10/2002

X-ON Electronics

Largest Supplier of Electrical and Electronic Components

Click to view similar products for [fujitsu](#) manufacturer:

Other Similar products are found below :

[FCN-268D008-G/1F](#) [FCN-234D050-G/E](#) [FCN-361P040-AU](#) [FCN-364J016-AU](#) [FCN-744G010-AU/0](#) [FCN-264D008-G/2F](#) [FCN-260C008-A/S3](#) [FCN-268D008-G/21](#) [FCN-268D008-G/3M-R](#) [FCN-723D010/2](#) [FCN-361J016-AU](#) [FCN-268D024-G/10-R](#) [FCN-264D008-G/2D](#) [FCN-237B050-G/W](#) [FCN-361J024-AU](#) [FCN-268D008-G/20](#) [FCN-230C050-C/E](#) [A-24W-K](#) [FCN-363J008](#) [MAT4Z-DR](#) [FCN-268M024-G/1D](#) [FTP-639USL202](#) [PZ-2A2415](#) [PZ-2A2425](#) [PZ-2A2430](#) [PZ-2A2445](#) [PZ-4A2620](#) [PZ-4A2650](#) [PZ-6A2805](#) [PZ-6A2810](#) [PZ-6A2830](#) [PZ-6A2840](#) [GZ-12C](#) [GZ-12W](#) [GZ-18H](#) [GZ-9H](#) [AL-24W-K](#) [DZ4E-12V](#) [ITT2B-EH](#) [ITT2-BR](#) [25A04C24C](#) [25A04C28C](#) [RY-48W-K](#) [RY-5WZ-K](#) [26A06C54E](#) [RZ-24C](#) [RZ-2G5](#) [RZ-48C](#) [RZ-5WC](#) [RZ-6](#)