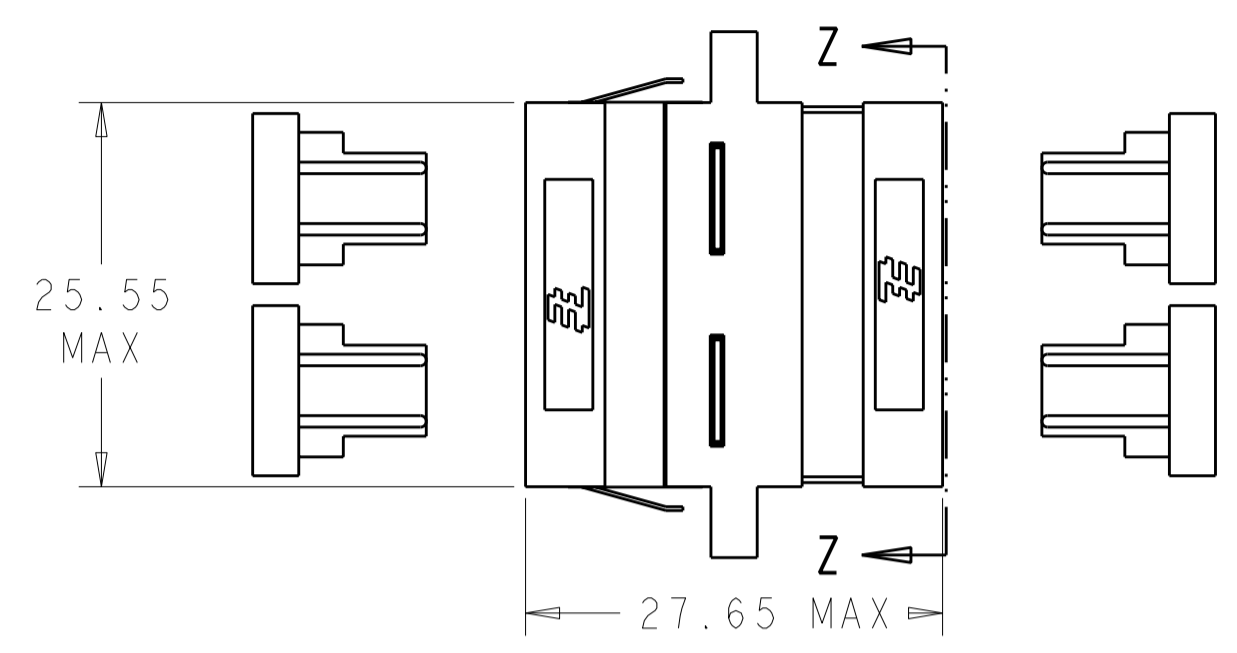
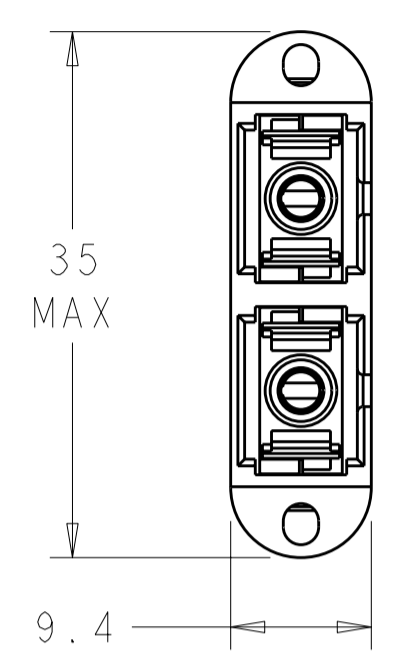


THIS DRAWING IS UNPUBLISHED. RELEASED FOR PUBLICATION 20
 © COPYRIGHT 20 ALL RIGHTS RESERVED.

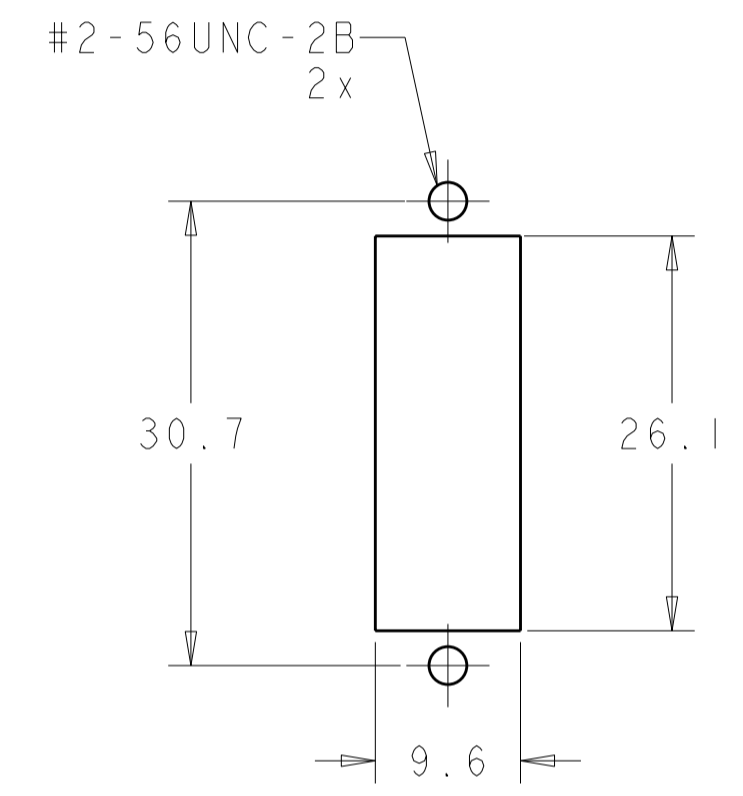
REVISIONS							
LOC	DIST	P	LTR	DESCRIPTION	DATE	DWN	APVD
HG	-		C3	REVISED PER ECO-11-005140	16APR2011	RK	HMR



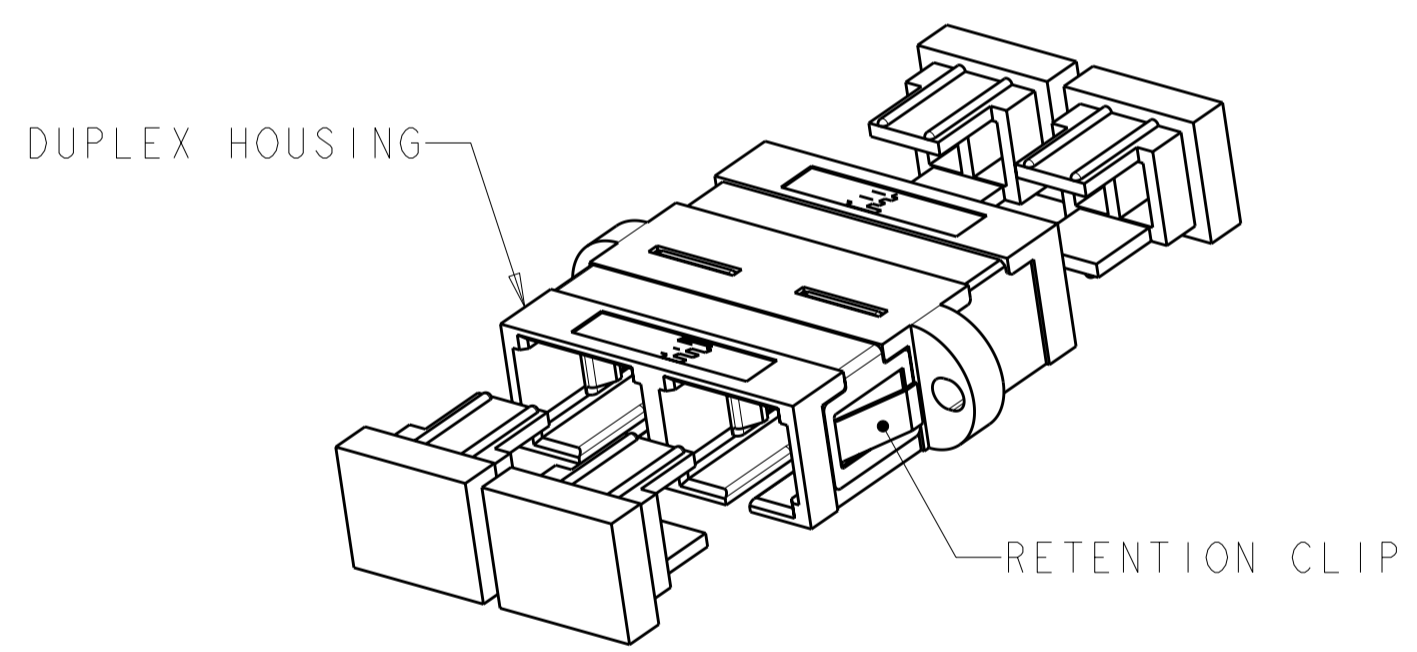
SCALE 2:1



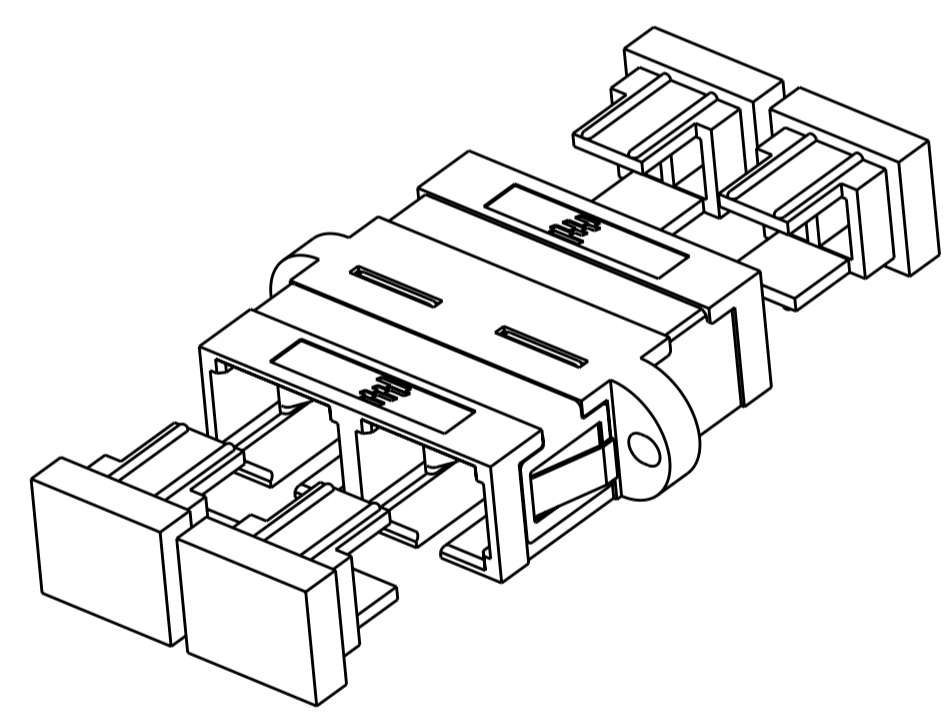
SECTION Z-Z



SCALE 2:1
 SUGGESTED PANEL CUTOUT
 MAX PANEL THICKNESS 1.7



5504640-1/-2/-3/-4/-5/-6
 (WITHOUT TE LOGO)



5504640-7/-8
 (WITH TE LOGO)

1 MATERIAL:
 HOUSING: PBT-GF30, SEE DASH NUMBERS FOR COLOR.*
 RETAINER: PEI-GF30, COLOR: BLACK.*
 RETENTION CLIP: STAINLESS STEEL.
 ALIGNMENT SLEEVE: METAL.
 PROTECTIVE COVER: TPE, COLOR: BLACK.*
 *UL94 V-0 RATED AT QUALIFYING THICKNESS.

2 BULK PACKAGE.

NONE	LT. ALMOND	5504640-8
RETENTION CLIP	BEIGE	5504640-7
RETENTION CLIP	AQUA	5504640-6
RETENTION CLIP	BLACK	5504640-4
NONE	LT ALMOND	5504640-3
RETENTION CLIP	BEIGE	5504640-2
RETENTION CLIP	BEIGE	5504640-1
INCLUDED HARDWARE	COLOR	PART NUMBER

THIS DRAWING IS A CONTROLLED DOCUMENT.		DWN B. BRIGGS 16MAY2005	TE Connectivity	
DIMENSIONS: mm		CHK S. MILLER 16MAY2005		
TOLERANCES UNLESS OTHERWISE SPECIFIED:		APVD S. BUCHTER 16MAY2005	NAME RECEPTACLE ASSEMBLY, DUPLEX, SC TO SC, MULTIMODE	
0 PLC ± 1 PLC ±0.1 2 PLC ±0.05 3 PLC ± 4 PLC ± ANGLES ± FINISH ±		PRODUCT SPEC -	SIZE A2	CAGE CODE 00779
MATERIAL		APPLICATION SPEC -	DRAWING NO 5504640	RESTRICTED TO -
1		WEIGHT -	SCALE 4:1	SHEET 1
CUSTOMER DRAWING		REV C3		

X-ON Electronics

Largest Supplier of Electrical and Electronic Components

Click to view similar products for [commscope](#) manufacturer:

Other Similar products are found below :

[1147587](#) [1155379](#) [1250727](#) [804370-000](#) [5267358502](#) [1-1116734-0](#) [1-6374658-1](#) [1-6693951-0](#) [1479154-2](#) [1754847-2](#) [1777040-1](#) [1933308-1](#)
[2064603-1](#) [406330-1](#) [406331-1](#) [5-556212-5](#) [502259-1](#) [554805-1](#) [559596-6](#) [6278890-3](#) [6278897-5](#) [6828275-5](#) [3-1933882-0](#) [1-1906055-5](#)
[6278028-3](#) [1-6588930-0](#) [1228435](#) [1235477](#) [1237845](#) [1238918](#) [1242458-ZZ](#) [6050315011](#) [179083-000](#) [CW7879-001](#) [1342754](#) [1479582-1](#)
[1479586-2](#) [1671205-4](#) [1754766-1](#) [1754768-1](#) [1918809-1](#) [1933327-1](#) [2-1206138-4](#) [3-5504958-0](#) [406332-1](#) [492697-2](#) [556888-1](#) [557827-1](#)
[559596-1](#) [1711544-2](#)