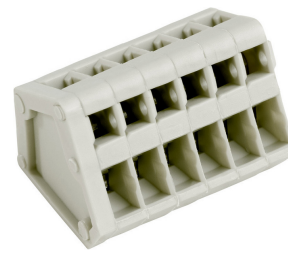


Tension Spring | Spacing 2.5 mm

AK3191/..-2.5-PEBBLE GREY

- 1- to n-poles



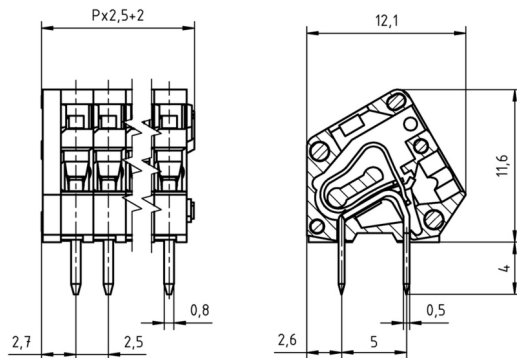
Technical Data

Wire sizes		Insulating Material	
Solid min	0.08 mm ²	Material	PA 6.6
Solid max	1.0 mm ²	Flammability Class	UL 94 V-0
Stranded (flexible) min	0.14mm ²	Temperatures	
Stranded (flexible) max	0.5 mm ²	Operating Temperature	-30 °C - 105 °C
Stranded with Ferrule min	0.14 mm ²	Store Temperature	-40 °C - 105 °C
Stranded with Ferrule max	0.14 mm ²	Wave Soldering Process	
Dimensions		Soldering Temperature, recommended	265 °C
Stripped Length	5.0 mm	Peak Soldering Time, recommended	3-4 s
PCB Hole Diameter	1.1 mm	Reflow Process	
Materials		Soldering Temperature, recommended	-
Solder Tab	Copper Alloy	Peak Soldering Time, recommended	-
Tension Spring	Stainless Steel		

Colours

	PEBBLE GREY, RAL 7032
	ORANGE, RAL 2011

Colours according to RAL, there may be variations on colour due to production conditions. Special colours on request.



Order Data (Spacing 2.5 mm)

Poles	Width (mm)	Article Designation	Article Number	PU
1	4.50	AK3191/1-2.5-PEBBLE GREY	53191010001 F	200
2	7.00	AK3191/2-2.5-PEBBLE GREY	53191020001 F	200
3	9.50	AK3191/3-2.5-PEBBLE GREY	53191030001 F	200
4	12.00	AK3191/4-2.5-PEBBLE GREY	53191040001 F	200
5	14.50	AK3191/5-2.5-PEBBLE GREY	53191050001 E	100
6	17.00	AK3191/6-2.5-PEBBLE GREY	53191060001 E	100
7	19.50	AK3191/7-2.5-PEBBLE GREY	53191070001 E	100
8	22.00	AK3191/8-2.5-PEBBLE GREY	53191080001 D	50
9	24.50	AK3191/9-2.5-PEBBLE GREY	53191090001 D	50
10	27.00	AK3191/10-2.5-PEBBLE GREY	53191100001 D	50
11	29.50	AK3191/11-2.5-PEBBLE GREY	53191110001 D	50
12	32.00	AK3191/12-2.5-PEBBLE GREY	53191120001 D	50

Ratings

UseGroup	C ^{RU} US			VDE	
	B	C	D		
Rated Voltage	150 V	-	-	130 V	
Rated Current	4 A	-	-	9 A	
Rated Wire Size				min	max
- solid	AWG 28-20	-	-	0.2 mm ²	0.5 mm ²
-stranded	-	-	-	-	-
Test Voltage	1.30 kV	-	-	1.25 kV	

X-ON Electronics

Largest Supplier of Electrical and Electronic Components

Click to view similar products for [Pluggable Terminal Blocks](#) category:

Click to view products by [PTR](#) manufacturer:

Other Similar products are found below :

[57.404.7553](#) [57.504.0053.7](#) [57.510.0053](#) [57.910.6153](#) [01.112.1453](#) [CTB932VE/6](#) [MC 1.5/ 6-ST-3.5 GY AU](#) [ET02015000J0G](#) [734-104](#) [734-302](#) [734-304](#) [8-141-P](#) [FKCT 2.5/ 3-ST KMGY](#) [860505](#) [860508](#) [860516](#) [860810](#) [861908](#) [GBPACX-12](#) [93.731.4953.0](#) [PV05-5,08-K](#) [PVP02-5,00](#) [PVP04-3,50](#) [PVS02-5,00](#) [1-1986160-3](#) [H-10](#) [1546228-5](#) [ELFP03110](#) [ELVP03100](#) [ELXH03100](#) [ELXH071G0E](#) [ELXP041G0](#) [ELXT046G0](#) [1700101](#) [1700410](#) [1700425](#) [1703176](#) [1703243](#) [1705229](#) [1710175](#) [1714537](#) [1717806](#) [1719600](#) [1728941](#) [1729386](#) [1734692](#) [1734795](#) [1736036](#) [1740194](#) [1740291](#)