

### Features

- Single pole/double throw
- Compatible with most surface mount manufacturing processes
- 50 or 2000 cycle rotational life
- Compatible with popular vacuum pick-and-place equipment
- J-hook, gull-wing and through hole
- Meets EIA/EIAJ/IPC/VRCI SMD standard outline dimensions
- RoHS compliant\* - see [processing information](#) on RoHS compliant surface mount components
- For switch applications/processing guidelines, [click here](#)

## 7814 SMD 4 mm Square Sealed Rotary Switch

### Electrical Characteristics

Contact Rating  
 Maximum Current ..... 100 mA max.  
 Maximum Voltage ..... 16 V  
 Contact Timing ..... Non-shorting  
 Contact Resistance ..... 2 ohms max.  
 Insulation Resistance  
 ..... 100 megohms min.  
 Dielectric Strength ..... 250 VAC

### General Characteristics

Switch Type ..... SPDT  
 Operating Temp. Range  
 ..... -55 °C to +125 °C  
 Storage Temp. Range... -55 °C to +125 °C  
 Seal Test ..... 85 °C Fluorinert†

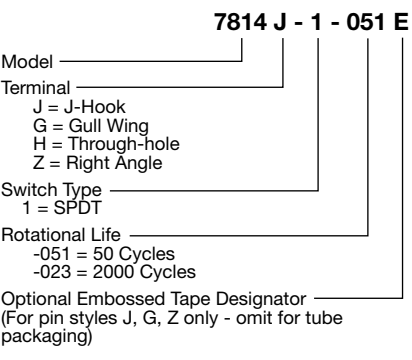
### Mechanical Characteristics

Positions ..... 2  
 Adjustment Torque ..... 1.8 N-cm max.  
 Stop Strength ..... 2.5 N-cm min.  
 Pushover Strength (Z Style)  
 ..... 2 kilograms minimum  
 Weight ..... Approximately 0.2 gm.  
 Marking ..... Manufacturer's trademark, life code and date code

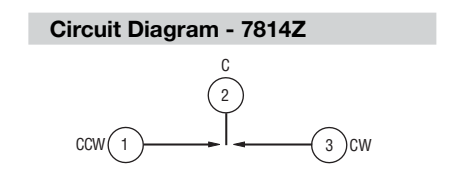
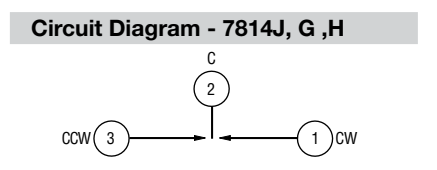
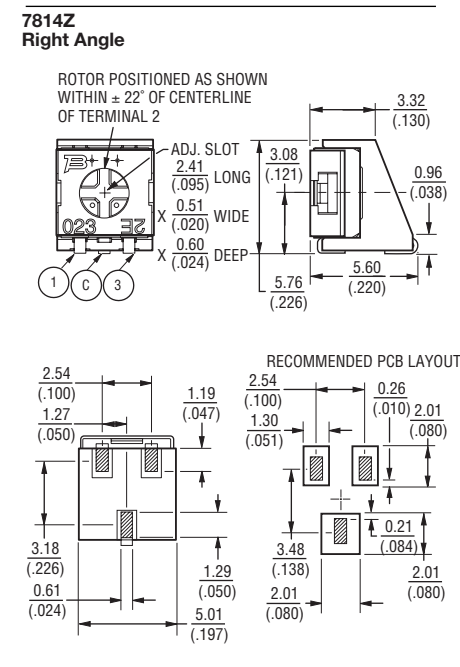
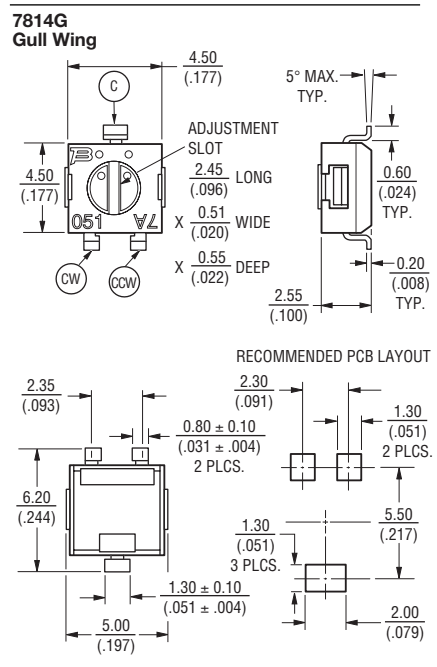
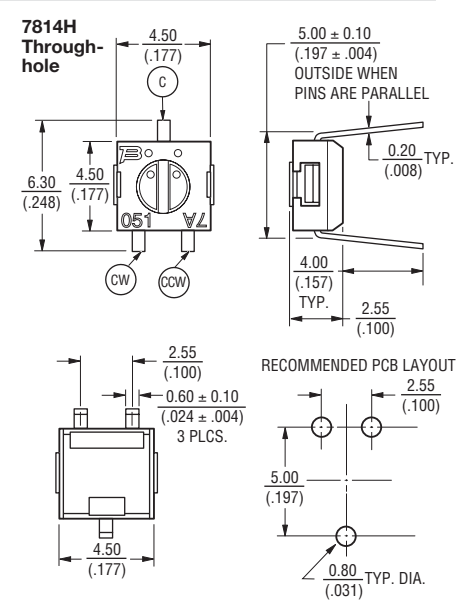
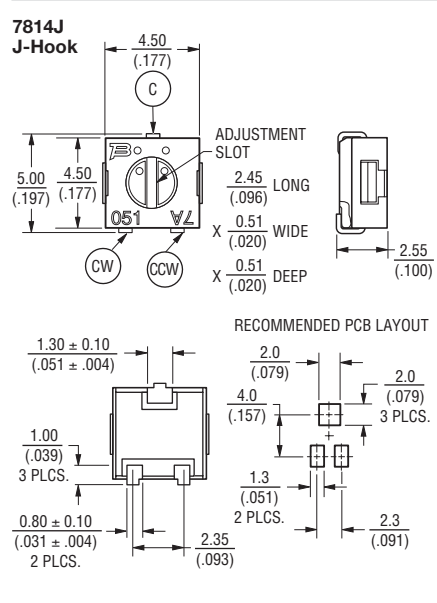
### Environmental Characteristics

Vibration ..... 20 G  
 Shock ..... 100 G  
 Thermal Shock ..... (5 cycles)  
 -55 °C to +125 °C  
 Humidity  
 Insulation Resistance  
 ..... 10 megohms min.  
 Rotational Life  
 -051 ..... 50 Cycles  
 -023 ..... 2000 Cycles  
 Packaging Options  
 J & G ..... 500 pcs.  
 Z ..... 200 pcs.  
 H ..... 100 pcs./tube

### How to Order



### Product Dimensions



\*RoHS Directive 2002/95/EC Jan 27, 2003 including Annex.  
 †"Fluorinert" is a registered trademark of 3M Co.  
 Specifications are subject to change without notice.  
 Customers should verify actual device performance in their specific applications.

DIMENSIONS:  $\frac{\text{MM}}{\text{(INCHES)}}$   
 TOLERANCES: ±2 EXCEPT WHERE NOTED.

## X-ON Electronics

Largest Supplier of Electrical and Electronic Components

*Click to view similar products for [bourns](#) manufacturer:*

Other Similar products are found below :

[PWR4412-2SDR0050F](#) [SRP1040-3R3M](#) [PWR4412-2SDR1000F](#) [SF-FP-LAB1](#) [SF-SP-LAB1](#) [PV36Z502C01B00](#) [CMF-RLC50-10-0](#) [PTF01-082T-103B2](#) [CMF-SD35A-2](#) [CMF-RD50-0](#) [CRF0805-FX-R009ELF](#) [5900-153-RC](#) [6324](#) [6346](#) [6359](#) [CW201212-LAB1](#) [70F122AI-RC](#) [74F396AP-RC](#) [83A1D-B28-J10](#) [PCW1J-B24-KAB502](#) [PCW1J-R24-CAB503L](#) [PWR221T-30-1R00F](#) [PWR263S-20-20R0F](#) [H-1060](#) [RJ26FW101](#) [RJR24FX104R](#) [2017-15-SMH-RPLF](#) [2100LL-100-H-RC](#) [2200HT-821-V-RC](#) [RT22C2X502](#) [RT26C2X501](#) [91C1A-D24-A10L](#) [9230-76-RC](#) [SDE0805A-221K](#) [SRP1238A-1R8M](#) [SRP1265A-R82M](#) [SRR0908-102YL](#) [SRR6038-180Y](#) [SRU20-LAB1](#) [SRU5028A-101Y](#) [SRU60-LAB1](#) [2036-35-SMLF](#) [PEC11R-4225F-N0024](#) [PM2120-221K-RC](#) [PWR263S-20-27R0F](#) [3057L-1-102](#) [3292W-1-501](#) [3296Y-1-500](#) [3309P-1-201](#) [3309P-1-502](#)