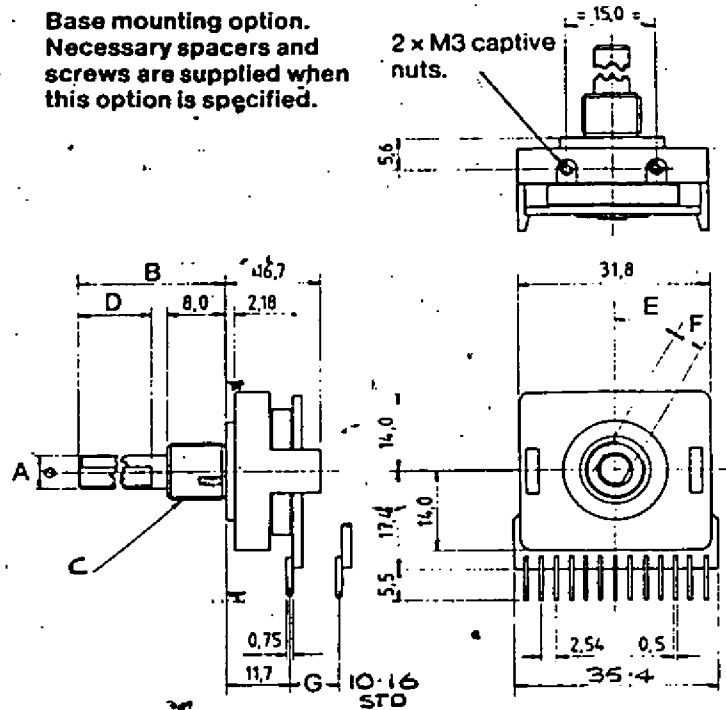


- A. Spindle diameter.
- B. Overall length from mounting face max. 50 mm.
- D. Length of flat if specified.
- E. Angle of flat in 15° steps.
- F. Dimension across flat.
- G. Spacers between sections if required

Base mounting option.
Necessary spacers and screws are supplied when this option is specified.

2 x M3 captive nuts.



Standard dimensions

A	B	D	E	F
6 mm	50 mm	Without flat unless specified	In 15° increments if specified	5 mm
Customer may specify at an additional cost A, B, D and F				

All circuits are available with shorting or non shorting contacts --

PT112	PT205	PT303	PT402	PT110
1 pole 2 way	2 pole 5 way or 2 pole 5 way off	3 pole 3 way or 3 pole 3 way off	4 pole 2 way or 4 pole 2 way off	1 pole 10 way 36° indexing
				
5 3 1 12 10 8 6 4 2 A 11 9 7	5 3a 1a 5b 3b 1b 4a 2a A 4b 2b B	1 3a 1a 3c 1c 3b B 2a A 2c C 2b	2 4 B 1a 2d D 1c 1b 2a A 1d 2c C	4 2 A 9 7 5 3 1 10 8 6

Information to be supplied if not standard.

Number of wafers	1	Spindle Dia (ØA)	6 mm.
Indexing Angle	30°	Spindle length (B)	50 mm.
Number of positions	12	Mounting bush (C)	METRIC
Base mounting option	YES	Flat length (D)	NO
Contact finish	S.P.B	Angle of flat (E)	NO
BBM or MBB	B.B.M	Depth of flat (F)	NO
		Spacing (G)	NO

Drawn
M.J.S.

Checked
(F7562)

Date
16.1.89

Customer
MAPLIN
PT
6434

Additional information

112 3674

352-294

352-339

X-ON Electronics

Largest Supplier of Electrical and Electronic Components

Click to view similar products for [lorlin](#) manufacturer:

Other Similar products are found below :

[WRL-5-E-S-2](#) [CK1036](#) [SRL-5-D-D-2](#) [SDS37Z](#) [SRL020](#) [SKL-12-A-S-2](#) [IRL-5-K-S-2](#) [SDS9Z](#) [MTS-11-80](#) [CK1453](#) [CK1460](#) [CK1025](#)
[CK1032](#) [IRL-5-M-S-2](#) [CKS1027](#) [WRLM-5-T-S](#) [BCKS1004](#) [SDP50Z](#) [GCK1022](#) [CK1043](#) [CKS1052](#) [CK1061](#) [CK1589](#) [CK2404](#) [WRLM-5-](#)
[Q-S](#) [CK1592](#) [BCK1006](#) [CK1055](#) [SDP37Z](#) [BCK1019](#) [GCK1023](#) [CK1457](#) [CK1451](#) [GCK1026](#) [406817F](#) [CK1456](#) [CK1042](#) [BCK1020](#)
[CK1062](#) [CKAEAA1500](#) [CK1461](#) [SRL-5-E-S-2](#) [CK2379](#) [CKF1059](#) [CK1455](#) [CK1035](#) [CK2378](#) [MDSP220KN-ESAI-2-19PY](#) [CK1450](#)
[SDP25Z](#)